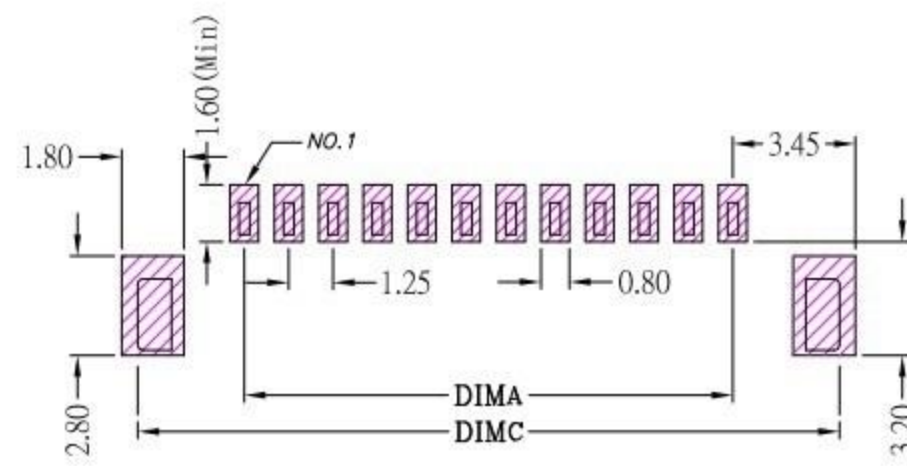
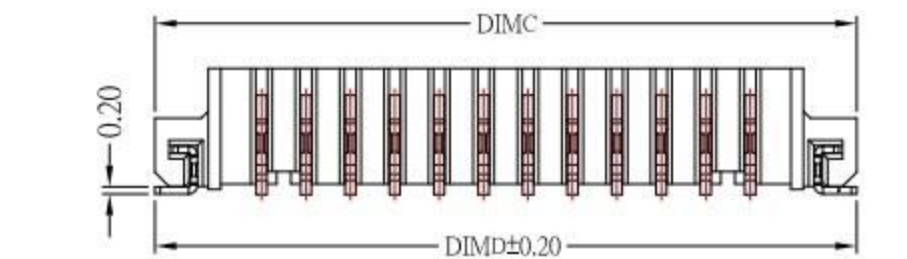
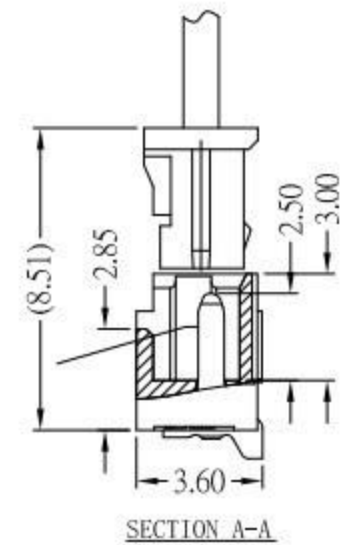
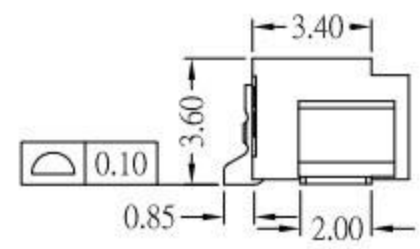


CKT	DIM A	DIM B	DIM C	DIM D
2	1.25	3.05	7.25	7.25
3	2.50	4.30	8.50	8.50
4	3.75	5.55	9.75	9.75
5	5.00	6.80	11.00	11.00
6	6.25	8.05	12.25	12.25
7	7.50	9.30	13.50	13.50
8	8.75	10.55	14.75	14.75
9	10.00	11.80	16.00	16.00
10	11.25	13.05	17.25	17.25
11	12.50	14.30	18.50	18.50
12	13.75	15.55	19.75	19.75
13	15.00	16.80	21.00	21.00
14	16.25	18.05	22.25	22.25
15	17.50	19.30	23.50	23.50
16	18.75	20.55	24.75	24.75
17	20.00	21.80	26.00	26.00
18	21.25	23.05	27.25	27.25
19	22.50	24.30	28.50	28.50
20	23.75	25.55	29.75	29.75



1. Material
  - 1.1: Housing: LCP , Color:Nature.
  - 1.2: Contact: Phosphor Bronze
  - 1.3: LEG: BRASS
2. Plating
  - 2.1: Contact: Tin over Nickel.
  - 2.2: LEG: Tin over Nickel.
3. Rating:
  - 3.1: CURRENT RATING: 1.0A
  - 3.2: VOLTAGE RATING: 125V AC
  - 3.3 OPERATING TEMPERATURE: -40°C ~ +85°C

6	更新圖面	Jack	040919
5	新增PCB LAYOUT尺寸	Jack	032017
4	新增外型在PCB LAYOUT	Jack	031617
3	更新PCB LAYOUT	Jack	122716
2	更新圖面	Jack	060116
1	更新VOLTAGE RATING	Jack	022416
ITEM NO	DESCRIPTION	DRAWN	DATE

## 廣東科斯達電子科技有限公司

TOLERANCE UNLESS OTHERWISE STATED:	Up to 5 ±0.2	3RD. ANGEL'S	UNITS	MM
	Above 5 ~ 15 ±0.3			
	Above 15 ~ 30 ±0.4			
	Above 30 ~ 50 ±0.5			
	Angle ±0.3			

DRAWN BY:	DATE	MAT'L	TITLE	CONNECTOR
Jack Lu	04/09/19			
CHECKED BY:	DATE	FINISH	MODLE	WAFER P : 1.25mm SMT 90度
Jacky Chen	04/09/19			
APPROVED BY:	DATE	SCALE	DWG NO.	SIZE
Tony Kao	04/09/19	1 : 1		A4
		SHEET NO.	PART NO.	VER
		1 of 1		R6