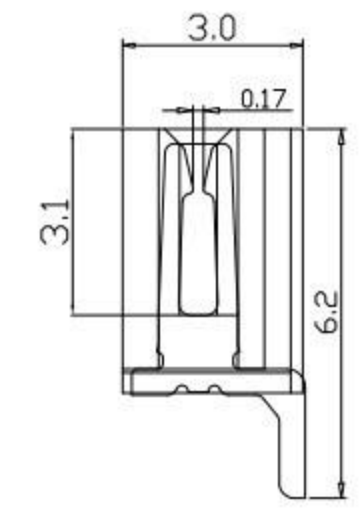


RECOMMENDED FFC/FPC

NO. OF contacts	Dimension		
	A	B	C
4	6.50	5.10	3.00
5	7.50	6.10	4.00
6	8.50	7.10	5.00
7	9.50	8.10	6.00
8	10.50	9.10	7.00
9	11.50	10.10	8.00
10	12.50	11.10	9.00
11	13.50	12.10	10.00
12	14.50	13.10	11.00
13	15.50	14.10	12.00
14	16.50	15.10	13.00
15	17.50	16.10	14.00
16	18.50	17.10	15.00
17	19.50	18.10	16.00
18	20.50	19.10	17.00
19	21.50	20.10	18.00
20	22.50	21.10	19.00
22	24.50	23.10	21.00
23	25.50	24.10	22.00
24	26.50	25.10	23.00
25	27.50	26.10	24.00
26	28.50	27.10	25.00
30	32.50	31.10	29.00



RECOMMENDED PCB LAYOUT

SPECIFICATIONS

Electrical Characteristics:

- 1.1 Rating: 50V ,0.5 A AC / DC
- 1.2 Temperature range: -40°C~+85°C
- 1.3 Withstand Voltage: 500V AC
- 1.4 Contact Resistance: 30mΩ MAX
- 1.5 Insulation resistance: 500 MΩ MIN

Material:

- 1.1 Housing: LCP, UL94V-0
- 1.2 Contact: Phosphor Bronze, Tin Plated over Nickel

ITEM NO	DESCRIPTION	DRAWN	DATE
5	更新樣式	IAN	042319
4	更新PIN選項	Jack	032918
3	新增插入深度尺寸	Jack	081117
2	更新圖面	Jack	082316
1	更新圖面	Jack	061416

廣東科斯達電子科技有限公司

TOLERANCE UNLESS OTHERWISE STATED :

Up to 5	±0.2
Above 5 ~ 15	±0.3
Above 15 ~ 30	±0.4
Above 30 ~ 50	±0.5
Angle	±0.3°

3RD. ANGEL'S UNITS MM

DRAWN BY:	DATE	MATL	TITLE	CONNECTOR
Jack Lu	04/23/19			
CHECKED BY:	DATE	FINISH	MODLE	1.0 FPC 雙接90度 DIP
Jacky Chen	04/23/19			
APPROVED BY:	DATE	SCALE	DWG NO.	SIZE
Tony Kao	04/23/19	1 : 1		A4
		SHEET NO.	PART NO.	VER
		1 of 1		R5