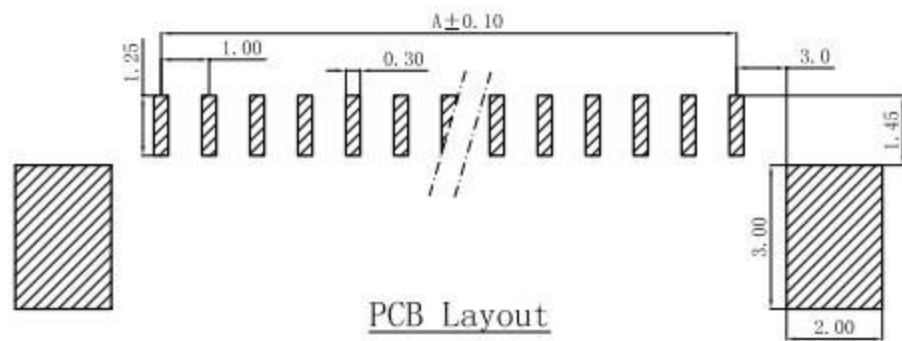
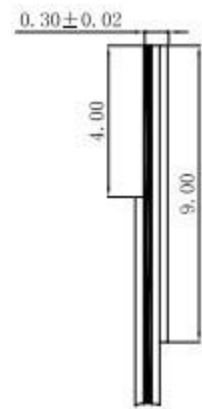
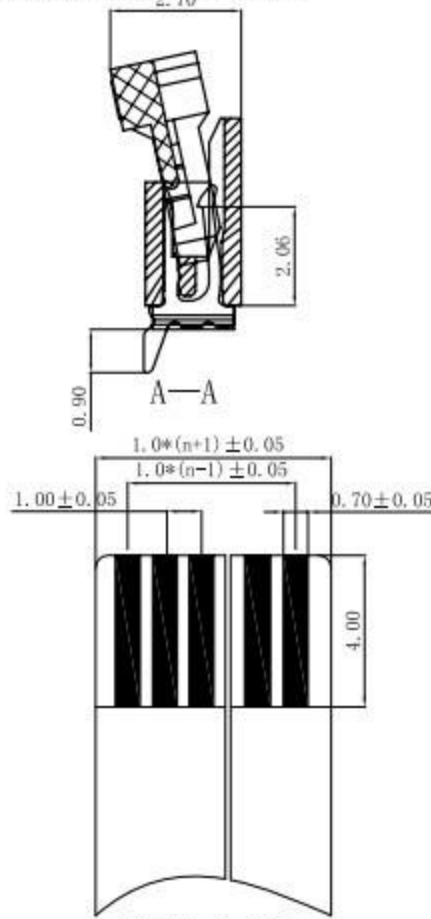
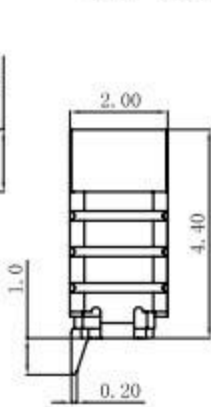
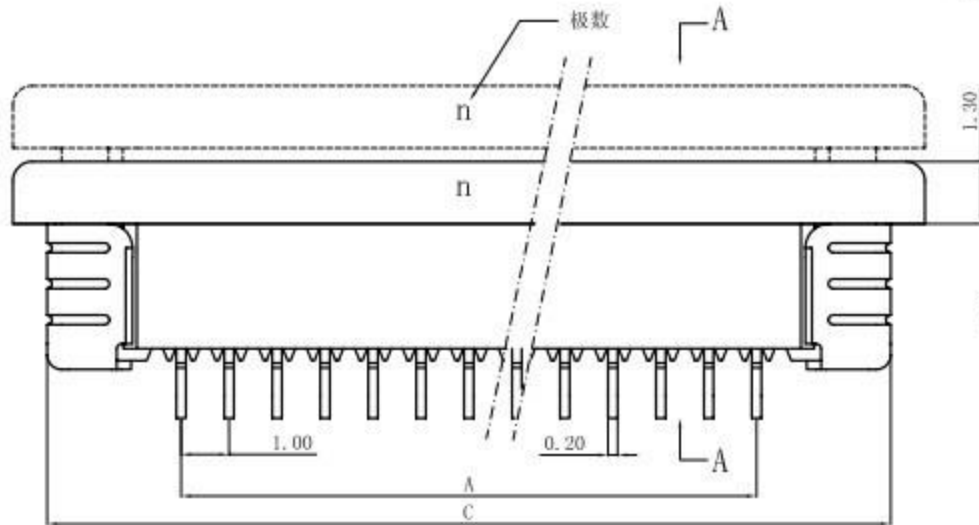
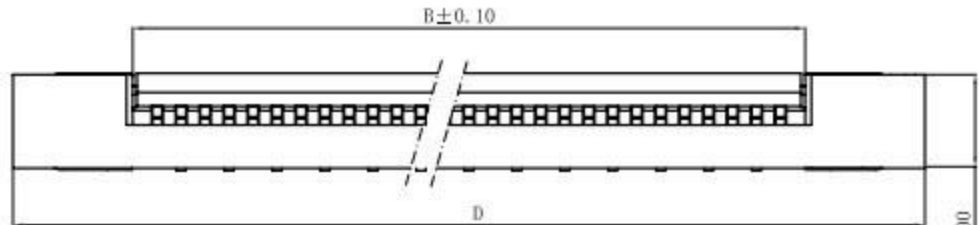


PITCH 1.0mm FPC CONNECTOR SMT TYPE

性能:

- 额定电流: 0.4A
- 额定电压: 50V
- 耐电压: 200V
- 接触电阻: $< 20m\Omega$
- 绝缘电阻: $500M\Omega$
- 工作温度: $-20^{\circ}C \sim +85^{\circ}C$

- 塑件 (材质): LCP, UL94V-0
- 锁扣 (材质): LCP, UL94V-0
- 插簧 (材质): 磷青铜, 镀锡/镀金
- 焊片 (材质): 磷青铜, 镀锡/镀金



PCB Layout

适用电缆

孔位	A	B	C	D
2	1.00	3.10	6.85	8.15
3	2.00	4.10	7.85	9.15
4	3.00	5.10	8.85	10.15
5	4.00	6.10	9.85	11.15
6	5.00	7.10	10.85	12.15
7	6.00	8.10	11.85	13.15
8	7.00	9.10	12.85	14.15
9	8.00	10.10	13.85	15.15
10	9.00	11.10	14.85	16.15
11	10.00	12.10	15.85	17.15
12	11.00	13.10	16.85	18.15
13	12.00	14.10	17.85	19.15
14	13.00	15.10	18.85	20.15
15	14.00	16.10	19.85	21.15
16	15.00	17.10	20.85	22.15
17	16.00	18.10	21.85	23.15
18	17.00	19.10	22.85	24.15
19	18.00	20.10	23.85	25.15
20	19.00	21.10	24.85	26.15
21	20.00	22.10	25.85	27.15
22	21.00	23.10	26.85	28.15
23	22.00	24.10	27.85	29.15
24	23.00	25.10	28.85	30.15
25	24.00	26.10	29.85	31.15
26	25.00	27.10	30.85	32.15
27	26.00	28.10	31.85	33.15
28	27.00	29.10	32.85	34.15
29	28.00	30.10	33.85	35.15
30	29.00	31.10	34.85	36.15

X. ± 0.3	X.° ± 5°	UNITS mm
.X ± 0.25	.X.° ± 2°	MAT'L
.XX ± 0.20	.XX.° ± 1°	FINISH
.XXX ± 0.10	.XXX.° ± 0.5°	
THESE DRAWINGS AND SPECIFICATIONS ARE THE PROPERTY OF DE RUI ELECTRON FACTORY AND SHALL NOT BE REPRODUCED, COPIED OR USED IN ANY MANNER WITHOUT THE PRIOR WRITTEN CONSENT OF DE RUI ELECTRON FACTORY		QTY

廣東科斯達電子科技有限公司

PART NO. (INTENDED USE) 1.0X-LS-nPWB	TITLE: 1.0mm FPC (A型)上接(H=2.0)		
APPD:	DWG NO.:		
CHKD:	SCALE	SHEET	REV.
DR: YLZ 2011.09.28	1/1	1/1	A