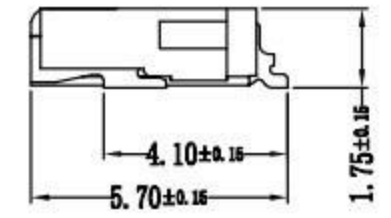
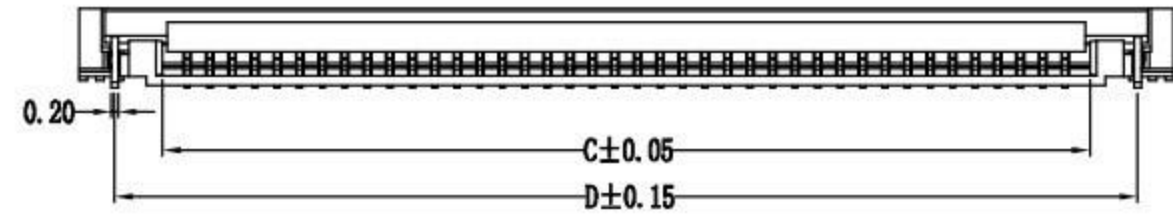
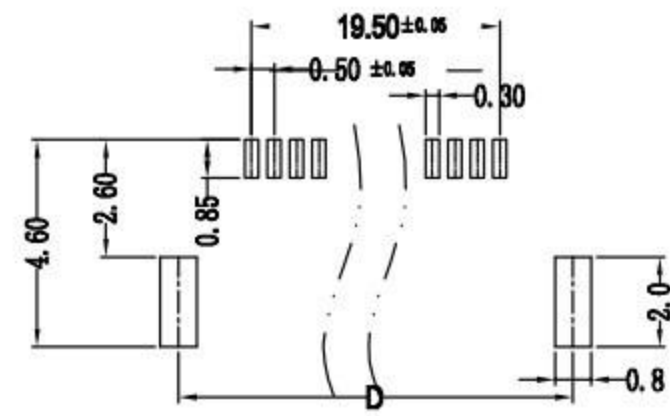
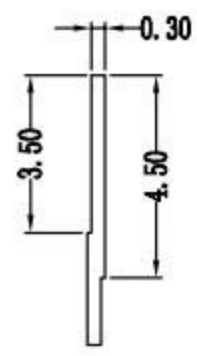
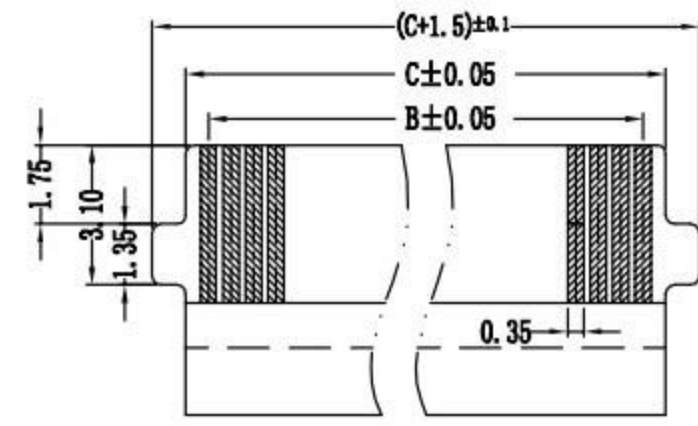


1.MATERIAL
 HOUSING:LCP UL 94V-0
 ACTUATOR:LCP UL 94V-0
 CONTACTS:COPPER ALLOY
 PEG: COPPER ALLOY
 2.PLATING:
 CONTACTS:TIN OVER NICKEL
 PEG:TIN OVER NICKEL
 3.PART NO:
 OPERATING VOLTAGE:50V AC,DC
 CURRENT RATING:0.3A AC,DC
 OPERATING TEMPERATURE:-25C~+85C
 4.PART NO:

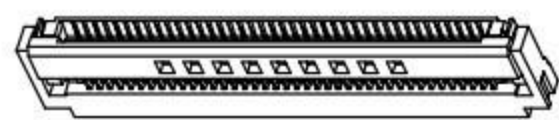


GF:GOLD FLASH
 SN:TIN OVER NICKEL
 NO.OF CONTACTS:(08Pin~60Pin)



No. of Contacts	DIM.			
	A	B	C	D
06	7.30	2.50	3.60	5.72
08	8.30	3.50	4.60	6.72
10	9.30	4.50	5.60	7.72
12	10.30	5.50	6.60	8.72
13	10.80	6.00	7.10	9.22
18	13.30	8.50	9.60	11.72
24	16.30	11.50	12.60	14.72
28	18.30	13.50	14.60	16.72
30	19.30	14.50	15.60	17.72
32	20.30	15.50	16.60	18.72
40	24.30	19.50	20.60	22.72
50	29.30	24.50	25.60	27.72
57	32.80	28.00	29.10	28.22
60	34.30	29.50	30.60	29.72

RECOMMENDED FPC DIMENSION



UNITS mm
 MAT'L
 FINISH
 Q'TY PCS
 DR: HU 2016.09.28

廣東科斯達電子科技有限公司

PART NO.(INTENDED USE) TITLE:
 0.5 PITCH 1.75H FPC CONN.

APPD: DWG NO.:

CHKD:

SCALE	SHEET	REV.
1/1	1/1	A

X ± 0.3	X' ± 5'
.X ± 0.25	.X' ± 2'
.XX ± 0.20	.XX' ± 1'
.XXX ± 0.10	.XXX' ± 0.5'