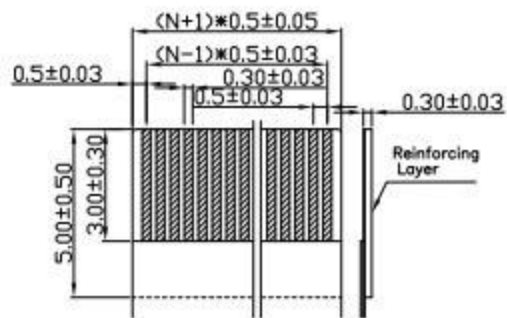
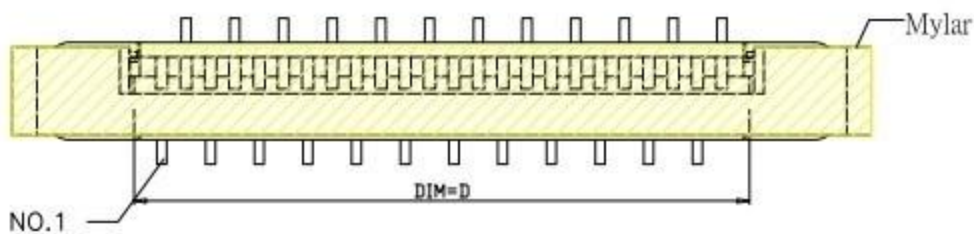
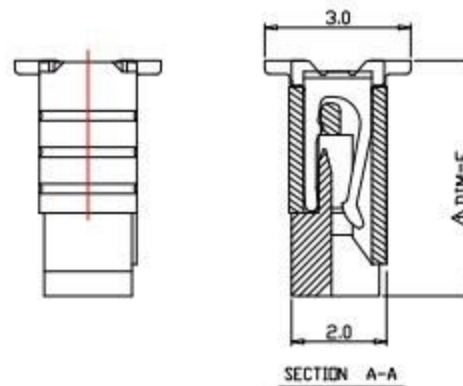
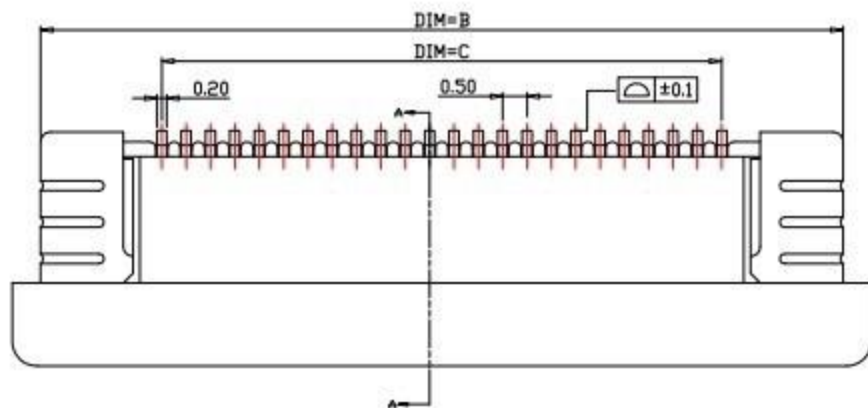


RECOMMENDED PCB LAYOUT



RECOMMENDED FFC/FPC DIM.

PIN NO.	Dimensions				
	A	B	C	D	E
4	7.6	6.5	1.5	2.6	4.4
5	8.1	7.0	2.0	3.1	
6	8.6	7.5	2.5	3.6	
7	9.1	8.0	3.0	4.1	
8	9.6	8.5	3.5	4.6	
9	10.1	9.0	4.0	5.1	
10	10.6	9.5	4.5	5.6	
11	11.1	10.0	5.0	6.1	
12	11.6	10.5	5.5	6.6	
13	12.1	11.0	6.0	7.1	
14	12.6	11.5	6.5	7.6	
15	13.1	12.0	7.0	8.1	
16	13.6	12.5	7.5	8.6	
17	14.1	13.0	8.0	9.1	
18	14.6	13.5	8.5	9.6	
19	15.1	14.0	9.0	10.1	
20	15.6	14.5	9.5	10.6	
21	16.1	15.0	10.0	11.1	
22	16.6	15.5	10.5	11.6	
23	17.1	16.0	11.0	12.1	
24	17.6	16.5	11.5	12.6	
25	18.1	17.0	12.0	13.1	
26	18.6	17.5	12.5	13.6	
27	19.1	18.0	13.0	14.1	
28	19.6	18.5	13.5	14.6	
29	20.1	19.0	14.0	15.1	
30	20.6	19.5	14.5	15.6	
31	21.1	20.0	15.0	16.1	
32	21.6	20.5	15.5	16.6	
33	22.1	21.0	16.0	17.1	
34	22.6	21.5	16.5	17.6	

Material:

1.1 Housing: LCP

1.2 Slider: LCP

1.2 Contact: Phosphor Bronze, Tin Plating Nickel overall

1.3 Fitting Nail: Brass, Tin Plating over Nickel

廣東科斯達電子科技有限公司

TOLERANCE UNLESS OTHERWISE STATED:

Up to 5 ±0.2
Above 5 ~ 15 ±0.3
Above 15 ~ 30 ±0.4
Above 30 ~ 50 ±0.5
Angle ±0.3

3RD. ANGEL'S



UNITS

MM

DRAWN BY: DATE

Jack Lu 01/21/20

CHECKED BY: DATE

Jacky Chen 01/21/20

APPROVED BY: DATE

Tony Kao 01/21/20

MAT'L

FINISH

SCALE

SHEET NO.

TITLE

MODLE

DWG NO.

PART NO.

CONNECTOR

0.5 FPC 立式正腳位

SIZE

A4

VER

R4

7

7

ITEM NO

DESCRIPTION

DRAWN

DATE

A B C D E F G H I J