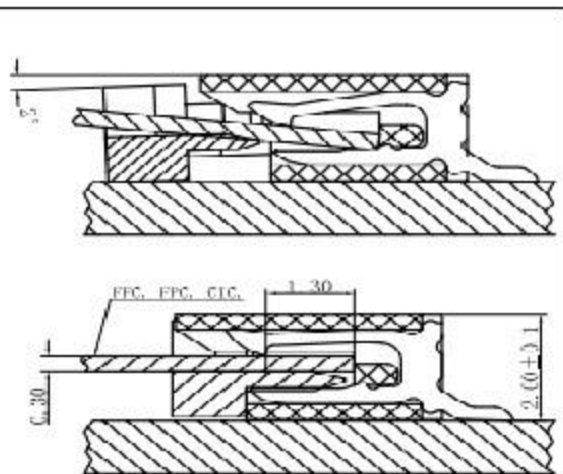
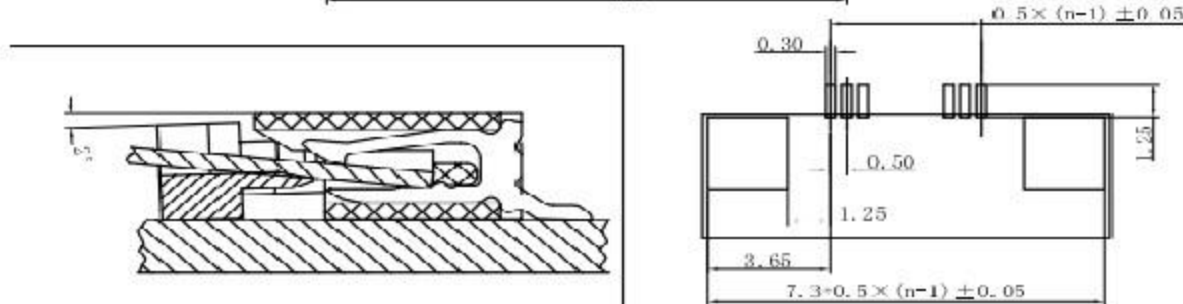
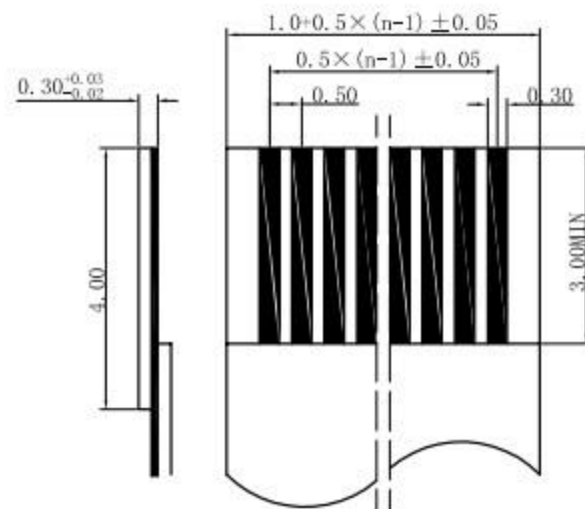
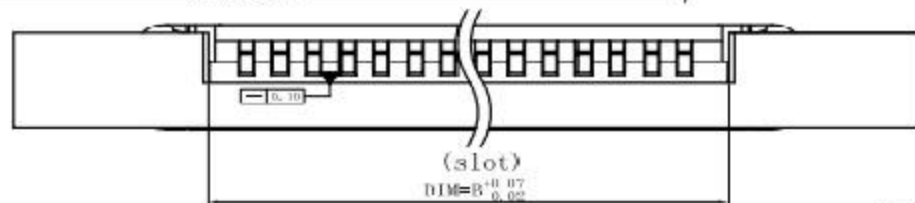
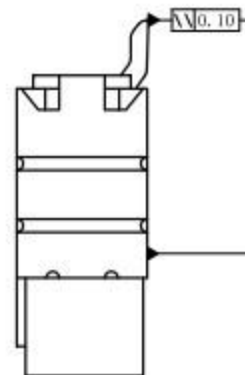
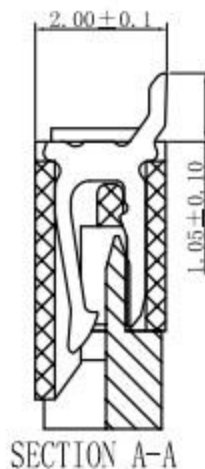
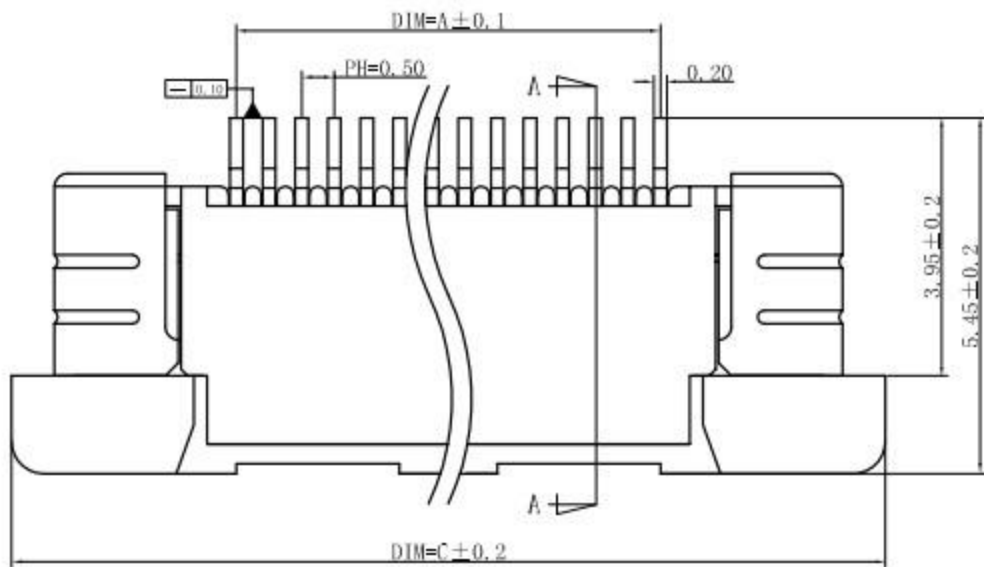


REV.	ECO NO.	DATE	SIGN	DESCRIPTION
A		2009.07.01		NEW DRAWING



PC BOARD LAYOUT

Electrical
 Voltage: 50 V AC(rms)/DC
 Current: 0.5 A AC(rms)/DC
 Contact Resistance: 30 mΩ max(initial)

TOLERANCE UNLESS SPECIFIED		DATE 2009.07.01	DAR. BY	MATERIAL ---
LINEAR	ANGLE	SCALE 1/1	CHK. BY	FINISH ---
.X ±0.25	X° ±2°	UNIT mm	APP. BY	PART NO. ---
.XX ±0.15	.X° ±2°			
.XXX ±0.10	.XX° ±---			

廣東科斯達電子科技有限公司



TITLE: FPC 0.5Pitch 1.5H掀蓋式 connector	REV. A
DWG NO.	