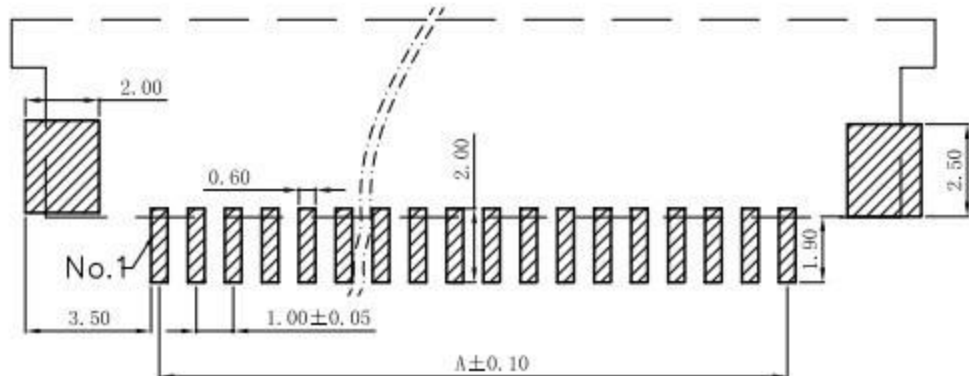
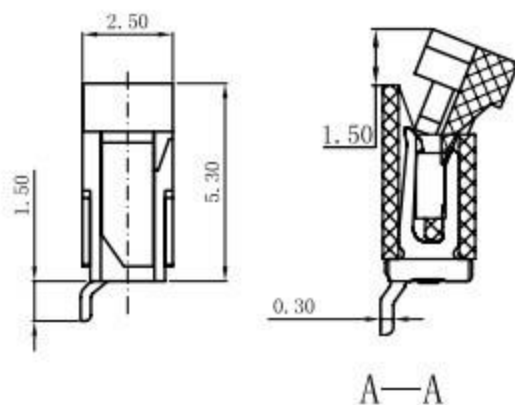
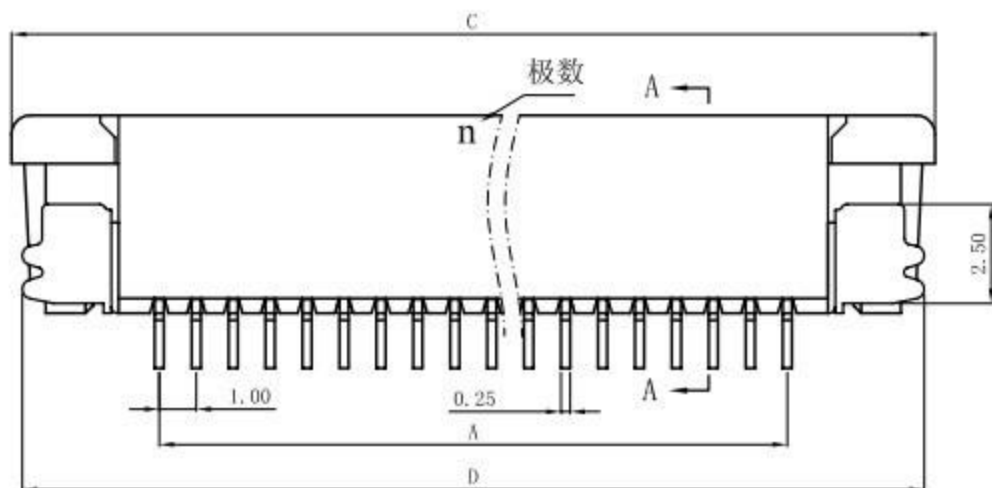
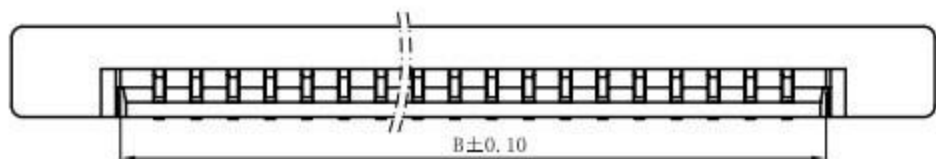


PITCH 1.0mm FPC CONNECTOR SMT TYPE

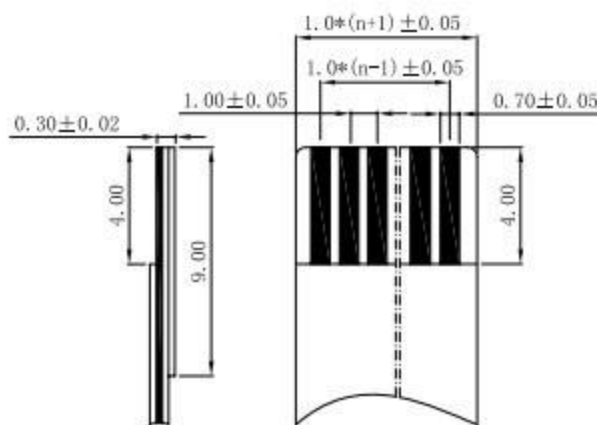
性能:

- 额定电流: 0.5A
- 额定电压: 50V
- 耐电压: 500V
- 接触电阻: $\leq 20m\Omega$
- 绝缘电阻: 800M Ω
- 工作温度: $-20^{\circ}C \sim +85^{\circ}C$

- 塑件(材质): LCP, UL94V-0
- 锁扣(材质): LCP, UL94V-0
- 插簧(材质): 磷青铜, 镀锡/镀金
- 焊片(材质): 磷青铜, 镀锡/镀金



印制电路板(PCB)



适用扁平电缆

| 孔位 | A | B | C | D |
|----|-------|-------|-------|-------|
| 4 | 3.00 | 5.15 | 11.10 | 10.20 |
| 5 | 4.00 | 6.15 | 12.10 | 11.20 |
| 6 | 5.00 | 7.15 | 13.10 | 12.20 |
| 7 | 6.00 | 8.15 | 14.10 | 13.20 |
| 8 | 7.00 | 9.15 | 15.10 | 14.20 |
| 9 | 8.00 | 10.15 | 16.10 | 15.20 |
| 10 | 9.00 | 11.15 | 17.10 | 16.20 |
| 11 | 10.00 | 12.15 | 18.10 | 17.20 |
| 12 | 11.00 | 13.15 | 19.10 | 18.20 |
| 13 | 12.00 | 14.15 | 20.10 | 19.20 |
| 14 | 13.00 | 15.15 | 21.10 | 20.20 |
| 15 | 14.00 | 16.15 | 22.10 | 21.20 |
| 16 | 15.00 | 17.15 | 23.10 | 22.20 |
| 17 | 16.00 | 18.15 | 24.10 | 23.20 |
| 18 | 17.00 | 19.15 | 25.10 | 24.20 |
| 19 | 18.00 | 20.15 | 26.10 | 25.20 |
| 20 | 19.00 | 21.15 | 27.10 | 26.20 |
| 21 | 20.00 | 22.15 | 28.10 | 27.20 |
| 22 | 21.00 | 23.15 | 29.10 | 28.20 |
| 23 | 22.00 | 24.15 | 30.10 | 29.20 |
| 24 | 23.00 | 25.15 | 31.10 | 30.20 |
| 25 | 24.00 | 26.15 | 32.10 | 31.20 |
| 26 | 25.00 | 27.15 | 33.10 | 32.20 |
| 27 | 26.00 | 28.15 | 34.10 | 33.20 |
| 28 | 27.00 | 29.15 | 35.10 | 34.20 |
| 29 | 28.00 | 30.15 | 36.10 | 35.20 |
| 30 | 29.00 | 31.15 | 37.10 | 36.20 |
| 31 | 30.00 | 32.15 | 38.10 | 37.20 |
| 32 | 31.00 | 33.15 | 39.10 | 38.20 |
| 33 | 32.00 | 34.15 | 40.10 | 39.20 |
| 34 | 33.00 | 35.15 | 41.10 | 40.20 |
| 35 | 34.00 | 36.15 | 42.10 | 41.20 |
| 36 | 35.00 | 37.15 | 43.10 | 42.20 |

| | | | |
|---|--------------|--------|----|
| X. ± 0.3 | X° ± 5° | UNITS | mm |
| .X ± 0.25 | .X° ± 2° | MAT'L | |
| .XX ± 0.20 | .XX° ± 1° | FINISH | |
| .XXX ± 0.10 | .XXX° ± 0.5° | | |
| THESE DRAWINGS AND SPECIFICATIONS ARE THE PROPERTY OF DE RUI ELECTRON FACTORY AND SHALL NOT BE REPRODUCED, COPIED OR USED IN ANY MANNER WITHOUT THE PRIOR WRITTEN CONSENT OF DE RUI ELECTRON FACTORY. | | Q'TY | |

廣東科斯達電子科技有限公司

| | | | |
|-------------------------|---------------------------|-------|------|
| PART NO. (INTENDED USE) | TITLE: | | |
| | 1.0mm FPC (E型)半包下接(H=2.5) | | |
| APPD: | DWG NO.: | | |
| | 100K13-EXB0000000 | | |
| CHKD: | SCALE | SHEET | REV. |
| DR: YLZ 2011.09.28 | 1/1 | 1/1 | A |