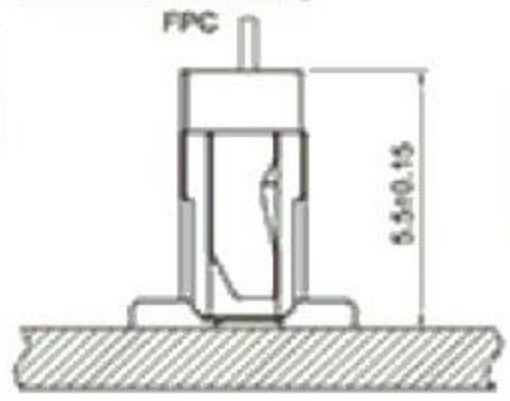
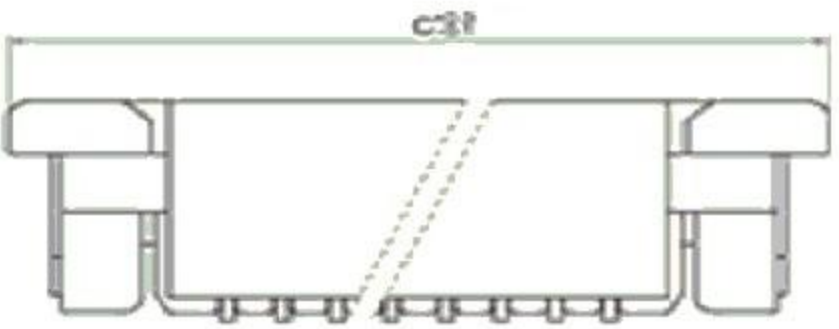
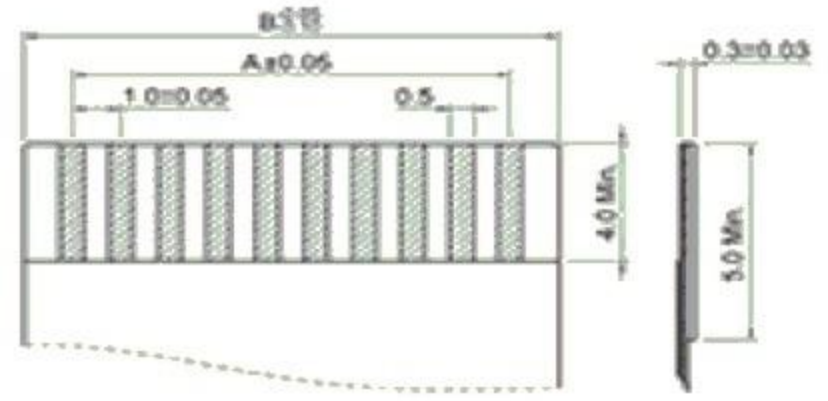
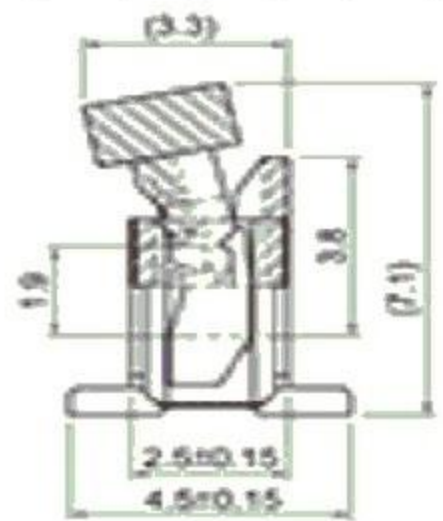
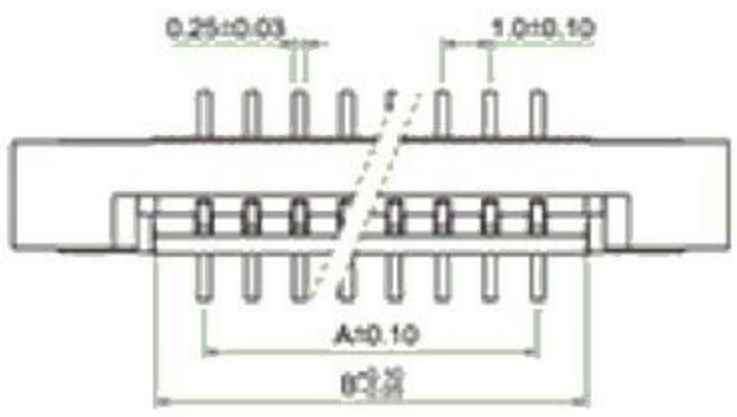
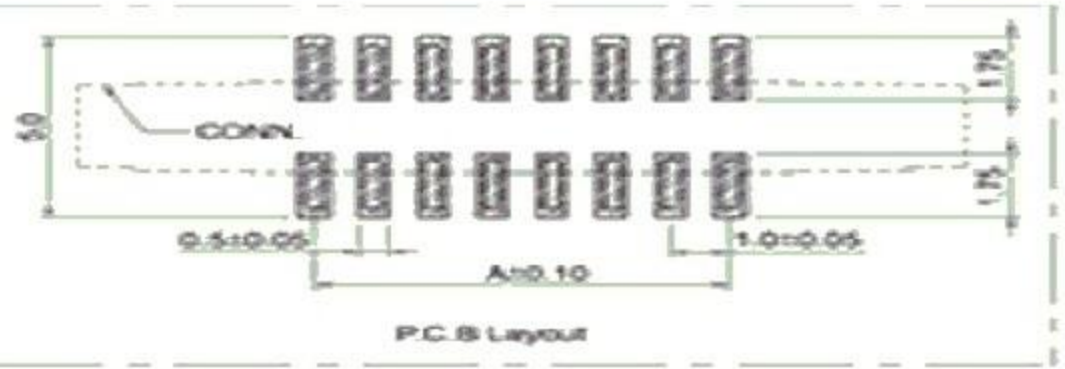


| REV. | ECO NO. | DATE       | SIGN | DESCRIPTION |
|------|---------|------------|------|-------------|
| A    |         | 2009.07.01 |      | NEW DRAWING |



Applicable Flat Cable

| CKT | 尺寸 Size(mm) |       |       |
|-----|-------------|-------|-------|
|     | A           | B     | C     |
| 4   | 3.00        | 5.03  | 11.00 |
| 5   | 4.00        | 6.03  | 12.00 |
| 6   | 5.00        | 7.03  | 13.00 |
| 7   | 6.00        | 8.03  | 14.00 |
| 8   | 7.00        | 9.03  | 15.00 |
| 10  | 9.00        | 11.03 | 17.00 |
| 12  | 11.00       | 13.03 | 19.00 |
| 16  | 15.00       | 17.03 | 23.00 |
| 20  | 19.00       | 21.03 | 27.00 |
| 24  | 23.00       | 25.03 | 31.00 |
| 28  | 27.00       | 29.03 | 35.00 |
| 30  | 29.00       | 31.03 | 37.00 |
| 32  | 31.00       | 33.03 | 39.00 |
| 36  | 35.00       | 37.03 | 43.00 |
| 40  | 39.00       | 41.03 | 47.00 |



|                            |           |                 |         |              |
|----------------------------|-----------|-----------------|---------|--------------|
| TOLERANCE UNLESS SPECIFIED |           | DATE 2009.07.01 | DAR. BY | MATERIAL --- |
| LINEAR                     | ANGLE     | SCALE 1/1       | CHK. BY | FINISH ---   |
| .X ±0.25                   | X° ±2°    | UNIT mm         | APP. BY | PART NO. --- |
| .XX ±0.15                  | .X° ±2°   |                 |         |              |
| .XXX ±0.10                 | .XX° ±--- |                 |         |              |

廣東科斯達電子科技有限公司



|                                       |        |
|---------------------------------------|--------|
| TITLE: FPC 0.5Pitch 1.5H掀蓋式 connector | REV. A |
| DWG NO.                               |        |