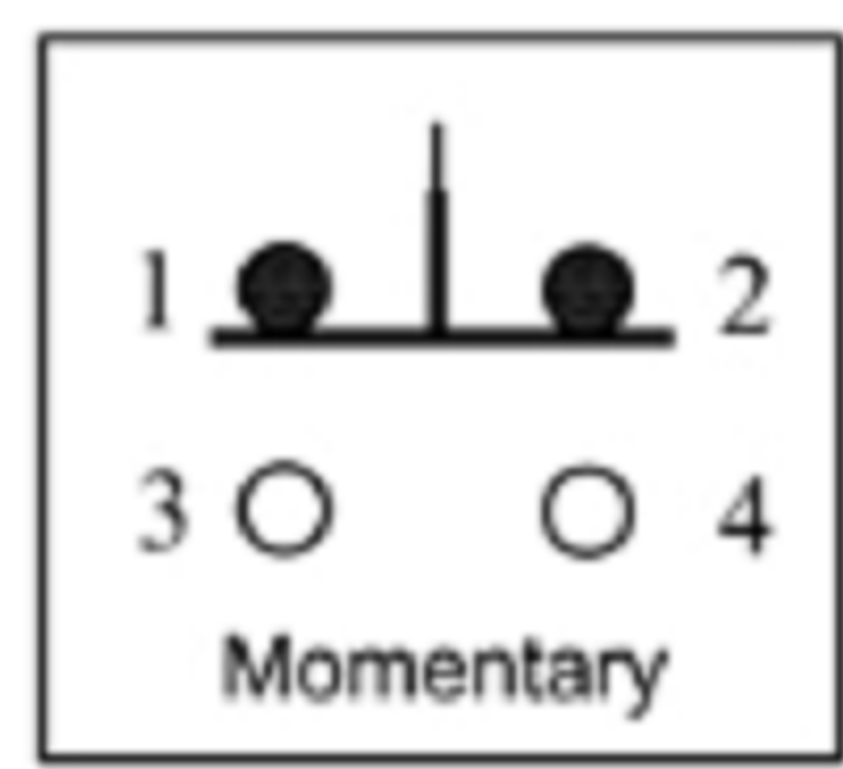
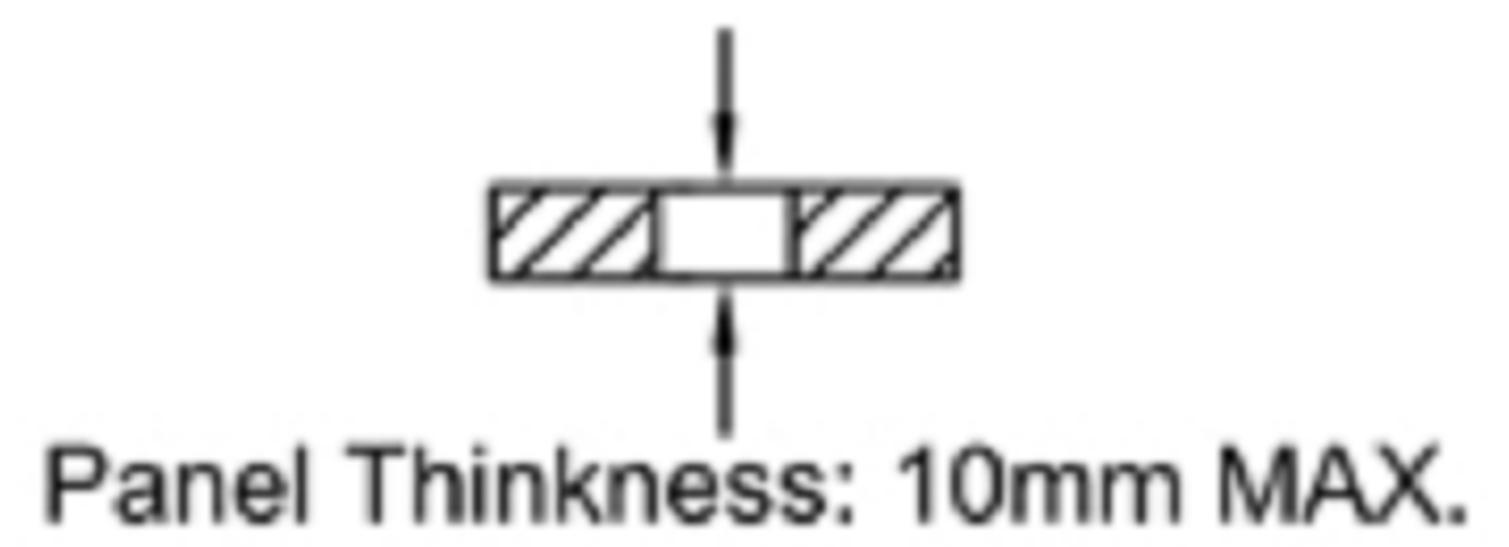
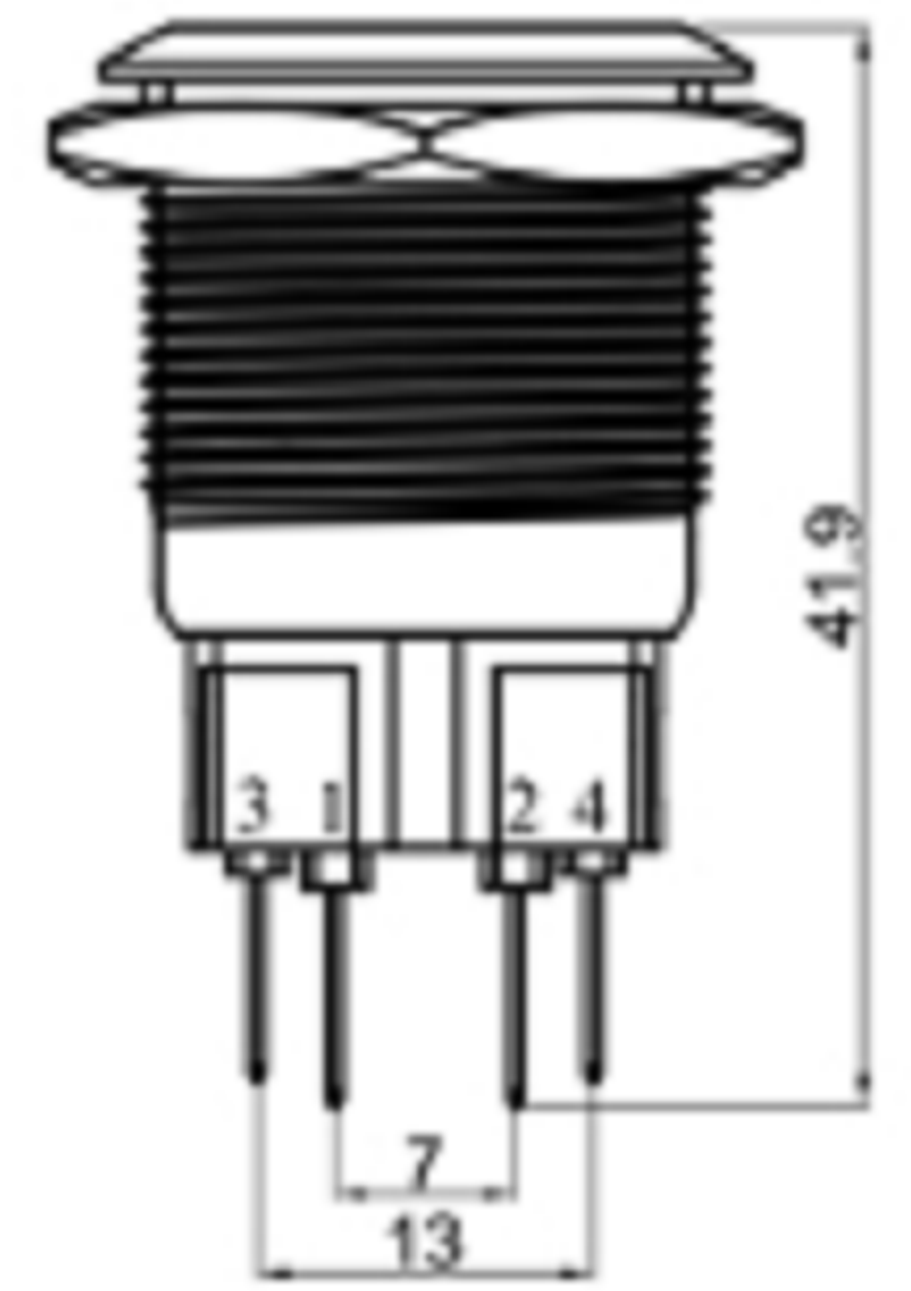
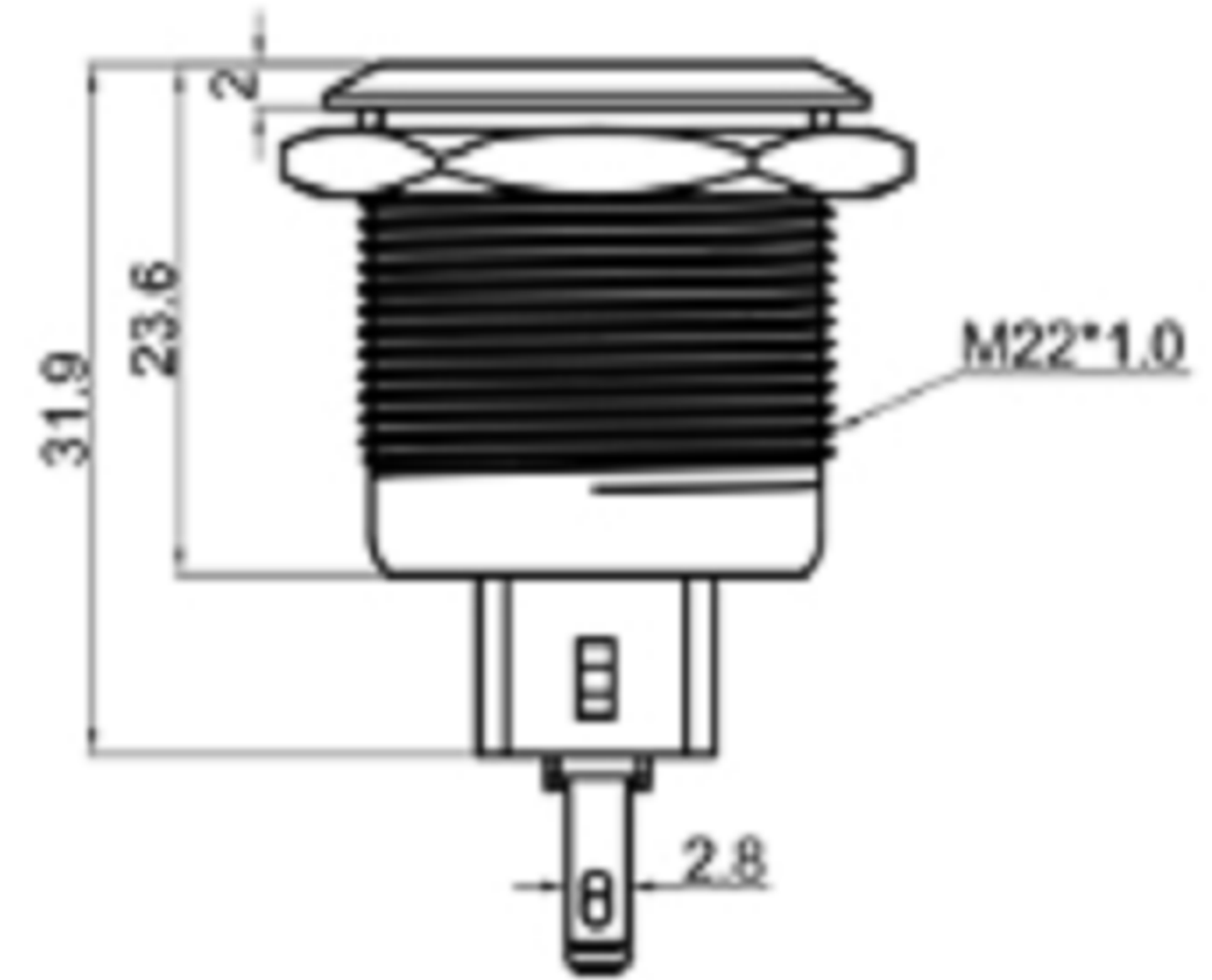


Switch Specifications

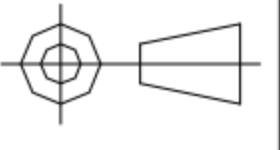
Rating: 5A 250VAC ;
2A 36VDC ;

Degree of protection: IP67;
Contact Resistance: 50mΩ Max. ;
Dielectric Strength: 1000VAC For 1 minute ;
Total Travel: 2.8±0.5mm ;
Operating Force: 600±200gf ;
Mechanical Life: 200,000 cycles ;
Load Life: 50,000 cycles ;
Operating Temperature: -20° C ~ 85° C ;
Function: OFF-(ON)



 **广东科斯达电子科技有限公司**
GUANG DONG KE SI DA ELECTRONIC TECHNOLOGY CO., LTD.

TOLERANCE UNLESS OTHERWISE STATED: Up to 5 ±0.2, Above 5 ~ 15 ±0.3, Above 15 ~ 30 ±0.4, Above 30 ~ 50 ±0.5, Angle ±0.3

3RD. ANGEL'S  UNITS MM

DRAWN BY:	DATE	MAT'L	TITLE	SWITCH
Jack Lu	12/27/22		MODLE	TACT SWITCH WITH LED
CHECKED BY:	DATE	FINISH	DWG NO.	SIZE
Jacky Chen	12/27/22		PART NO.	A4
APPROVED BY:	DATE	SCALE	1 : 1	VER
Tony Kao	12/27/22	SHEET NO.	1 of 1	R

ITEM NO.	DESCRIPTION	DRAWN	DATE