

**Switch Specifications**

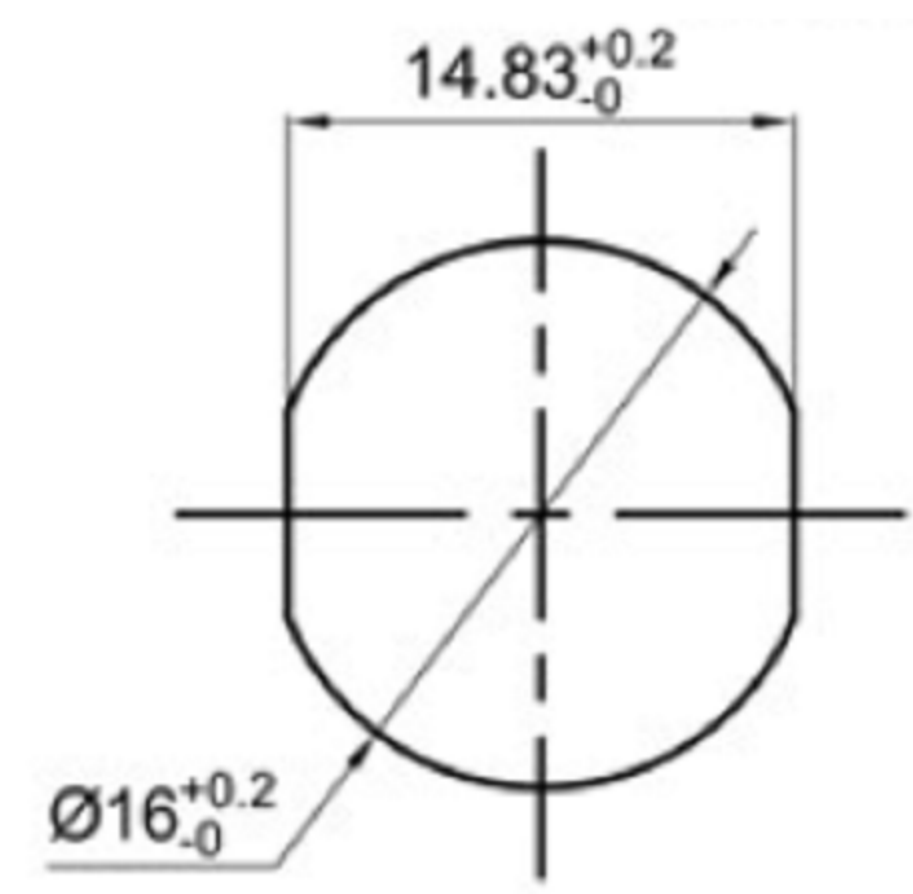
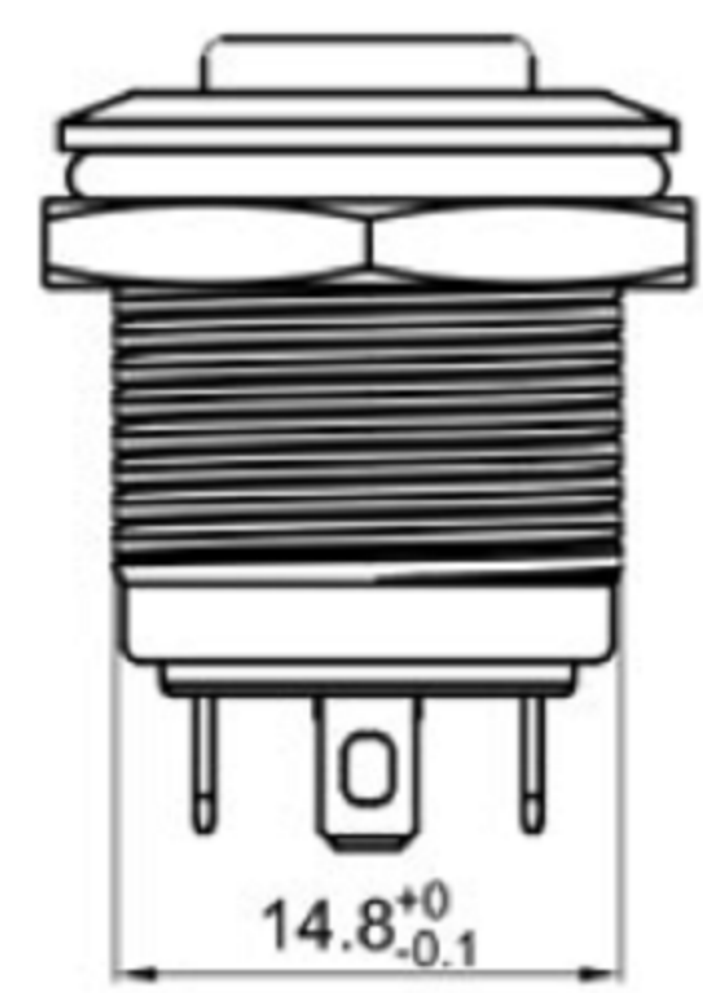
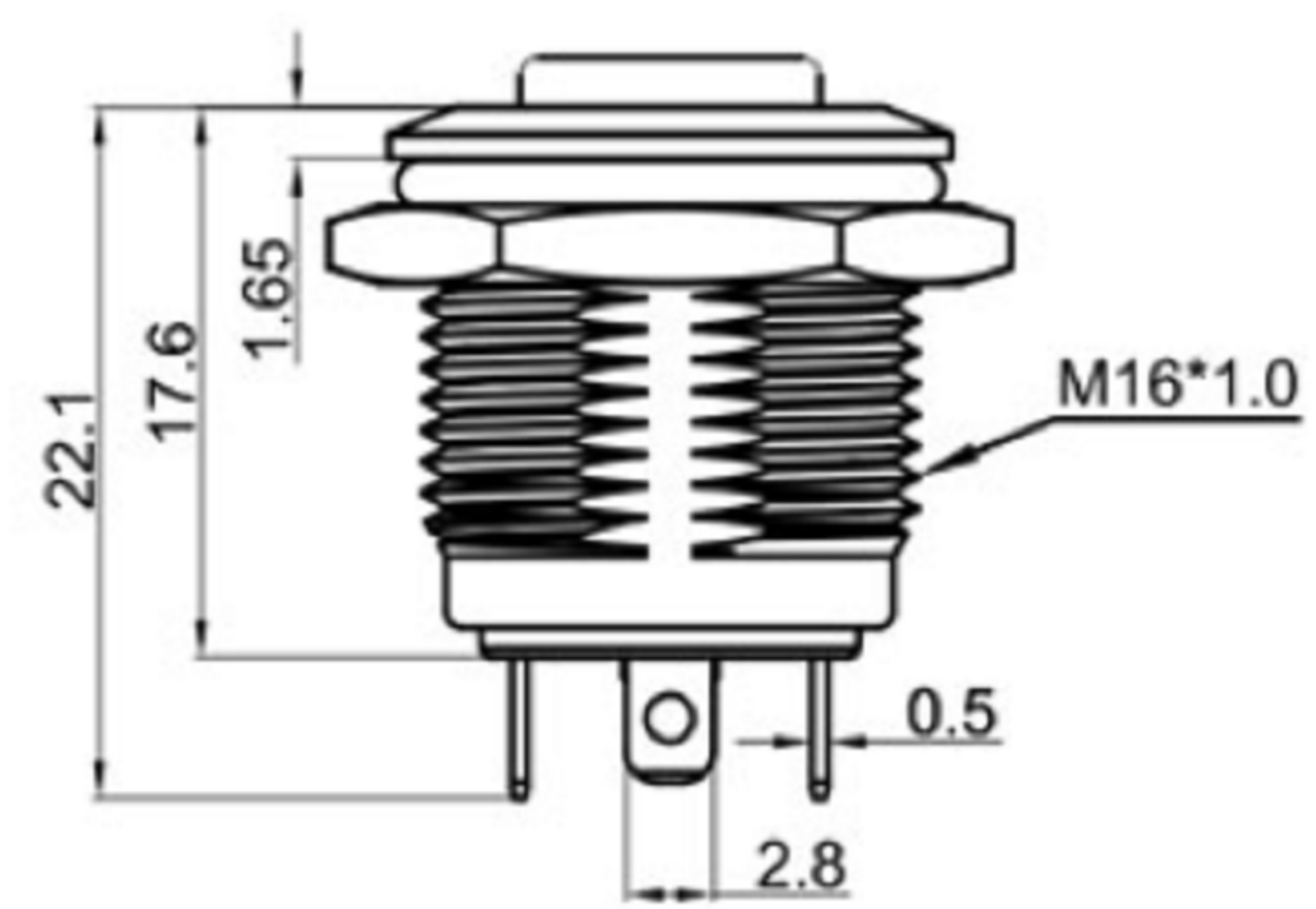
Rating: 3A 250VAC ;  
2A 36VDC ;



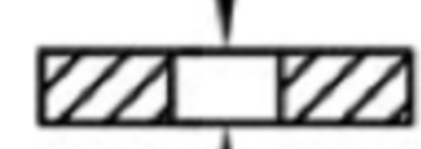
Degree of protection: IP65;  
Contact Resistance: 50mΩ Max. ;  
Dielectric Strength: 1500VAC For 1 minute ;  
Total Travel: 1.5± 0.5mm ;  
Operating Force: 450± 150gf ;  
Mechanical Life: 200,000 cycles ;  
Load Life: 50,000 cycles ;  
Operating Temperature: -20° C ~ 70° C ;  
Function: OFF-(ON)

**MATERIAL:**

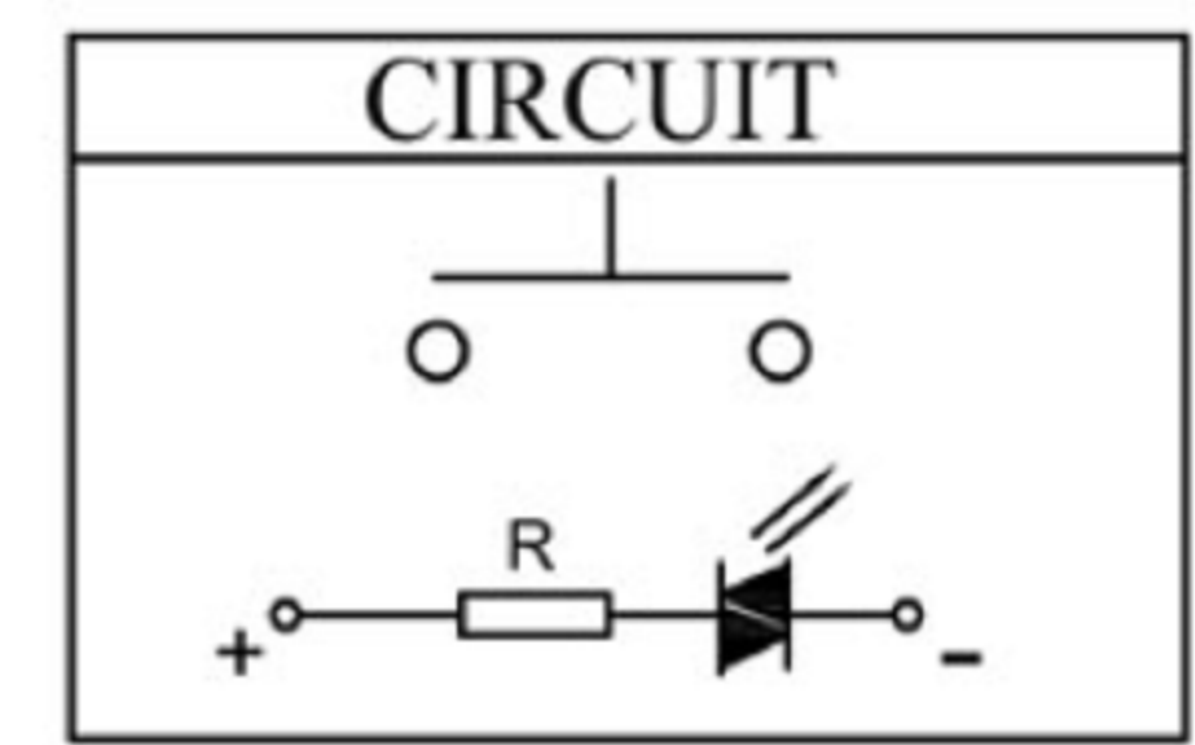
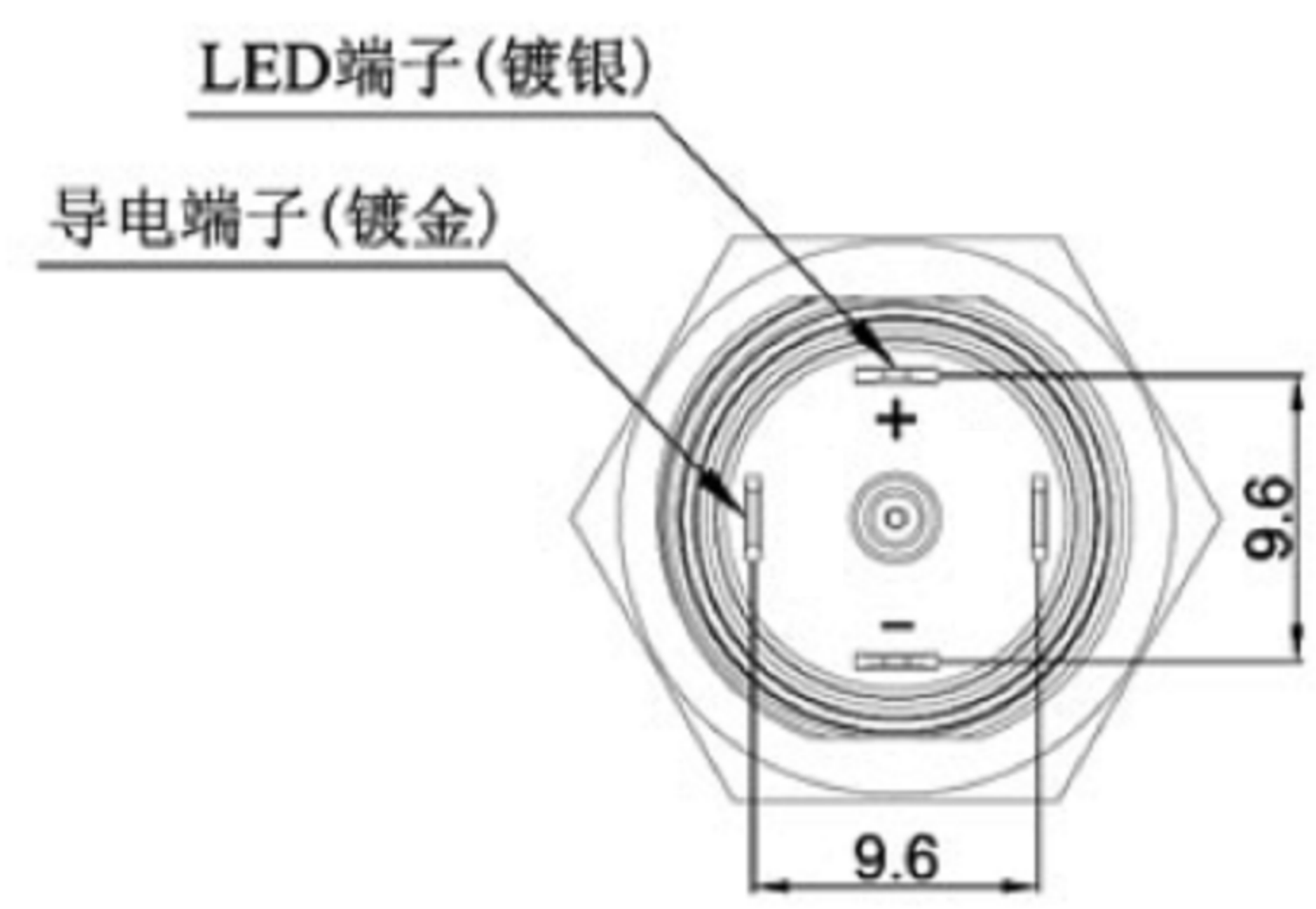
Actuator: Al Alloy ;  
Top Base: Al Alloy ;  
Terminal: Brass, Silver or Gold plated ;  
Nut: Brass, Ni plated .



**CUT-OUT**



**Panel Thickness: 8mm MAX.**



**广东科斯达电子科技有限公司**  
GUANG DONG KE SI DA ELECTRONIC TECHNOLOGY CO., LTD.

TOLERANCE UNLESS OTHERWISE STATED:	Up to 5 ±0.2	Above 5 ~ 15 ±0.3	Above 15 ~ 30 ±0.4	Above 30 ~ 50 ±0.5	Angle ±0.3	3RD. ANGEL'S	UNITS	MM
------------------------------------	--------------	-------------------	--------------------	--------------------	------------	--------------	-------	----

DRAWN BY:	DATE	MAT'L	TITLE	SWITCH
Jack Lu	12/27/22			
CHECKED BY:	DATE	FINISH	MODLE	TACT SWITCH WITH LED
Jacky Chen	12/27/22			
APPROVED BY:	DATE	SCALE	DWG NO.	
Tony Kao	12/27/22	1 : 1		
		SHEET NO.	PART NO.	
		1 of 1		

ITEM NO.	DESCRIPTION	DRAWN	DATE