



安裝尺寸Diameter:  $\Phi$  16mm

燈珠顏色Color: **R** **G** **Y** **O** **B** **W**

開關額定值Switch Rating: 2A/36VDC

開關組合Contact Configuration: 1NO

操作類型Operation Type: 自鎖型Maintained(Z)

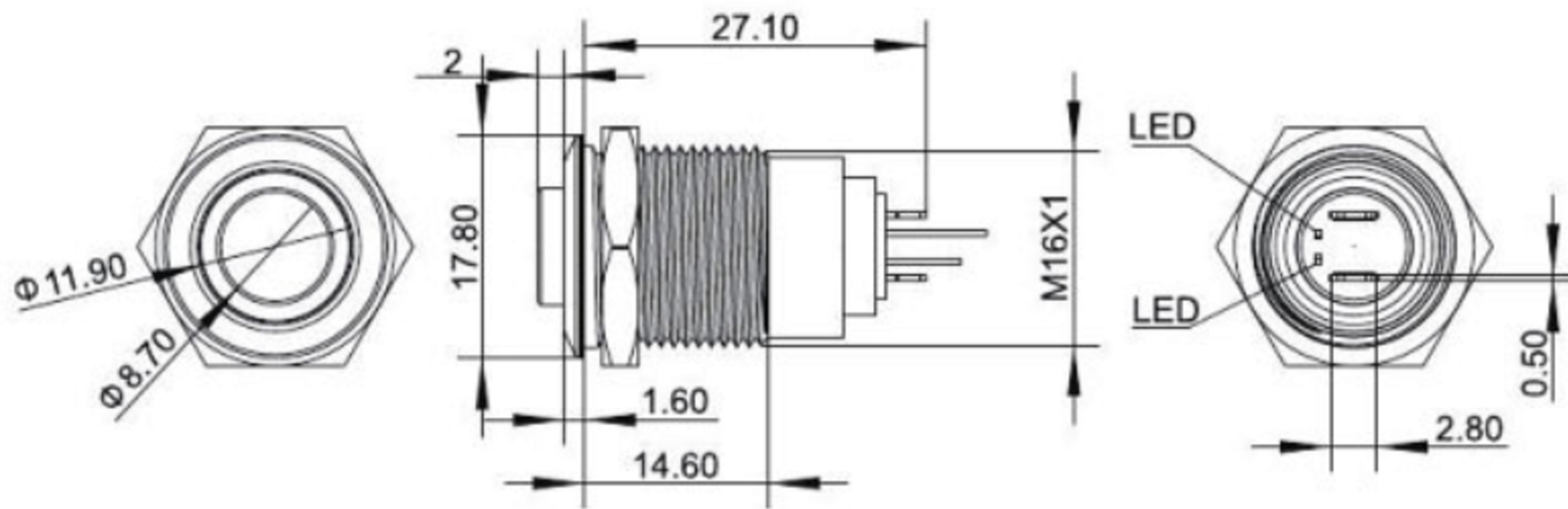
頭部形狀The Front Shape: 高頭 Raised

帶燈方式Lamp type: 環形帶燈Ring Illuminated(LED)

外殼材料

The Crust Material: 不銹鋼Stainless steel

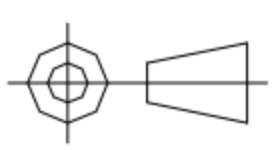
防護等級IP Degree: IP67, IK10



**广东科斯达电子科技有限公司**  
**GUANG DONG KE SI DA ELECTRONIC TECHNOLOGY CO., LTD.**

TOLERANCE UNLESS OTHERWISE STATED:  
 Up to 5  $\pm 0.2$   
 Above 5 ~ 15  $\pm 0.3$   
 Above 15 ~ 30  $\pm 0.4$   
 Above 30 ~ 50  $\pm 0.5$   
 Angle  $\pm 0.3$

3RD. ANGEL'S



UNITS

MM

DRAWN BY:	DATE
Jack Lu	12/27/22
CHECKED BY:	DATE
Jacky Chen	12/27/22
APPROVED BY:	DATE
Tony Kao	12/27/22

MAT'L	TITLE	SWITCH
FINISH	MODLE	TACT SWITCH WITH LED
SCALE	DWG NO.	
SHEET NO.	PART NO.	

SIZE	A4
VER	R

ITEM NO.	DESCRIPTION	DRAWN	DATE