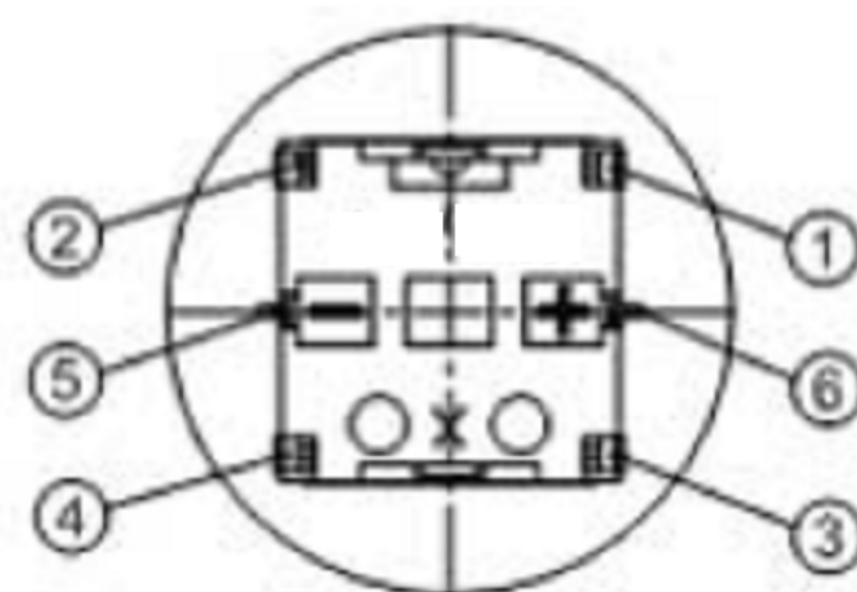
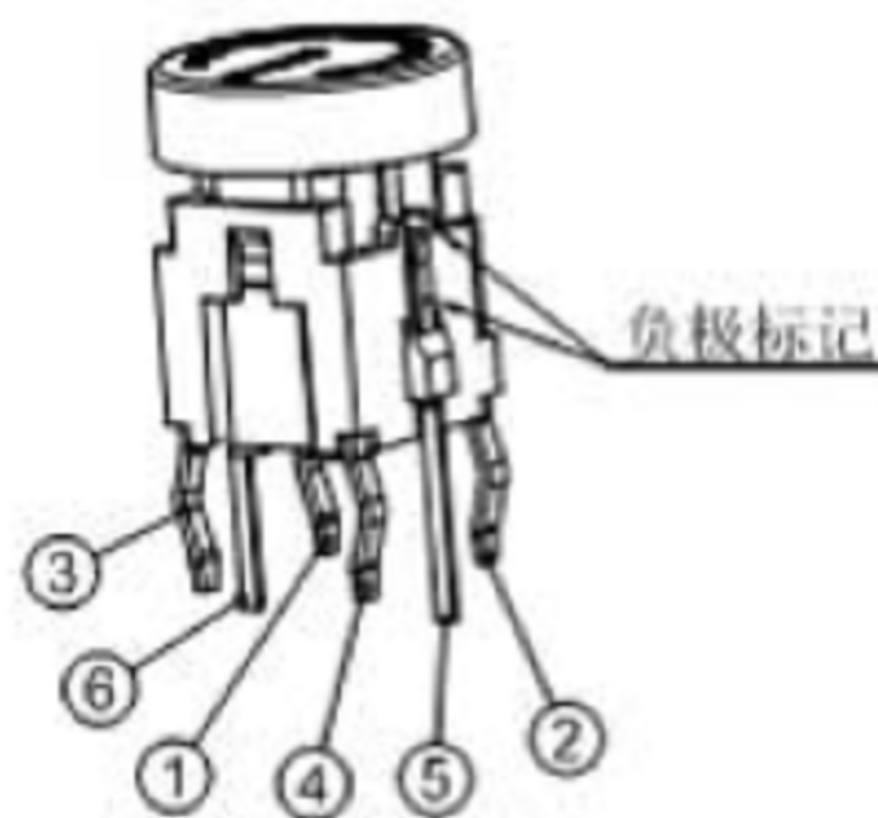
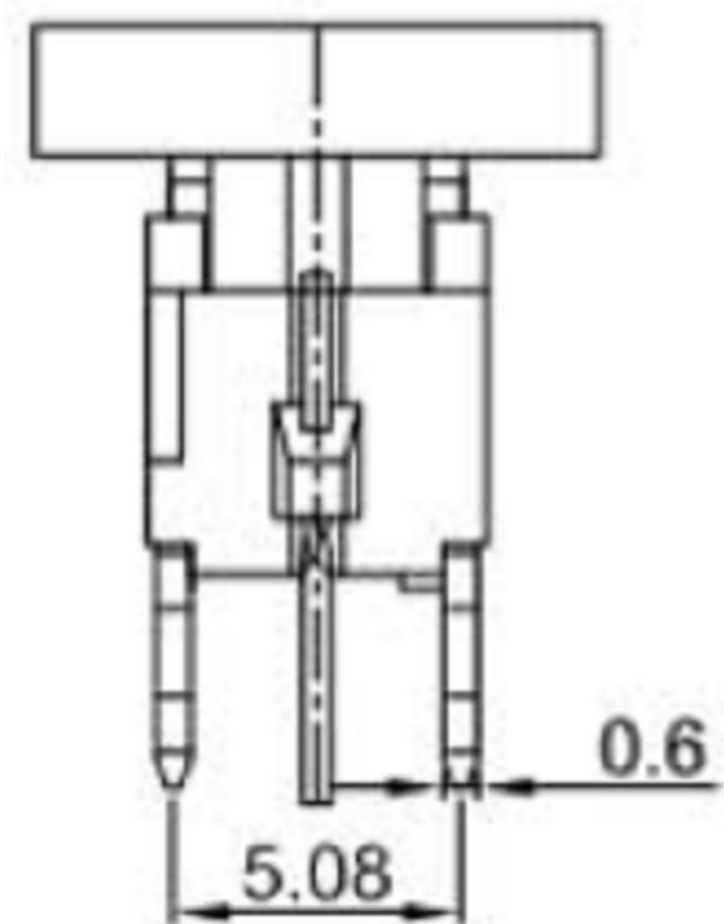
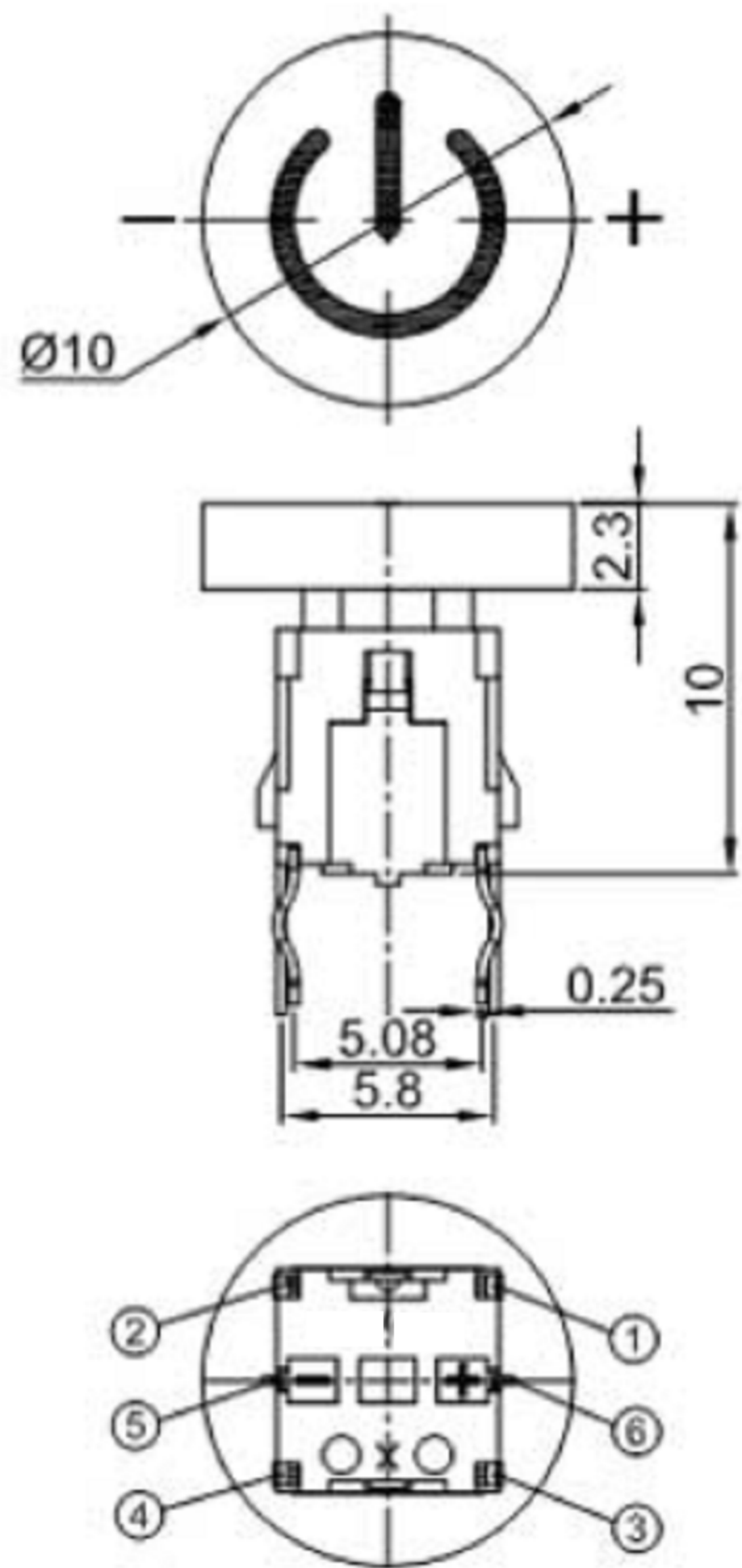




TS1

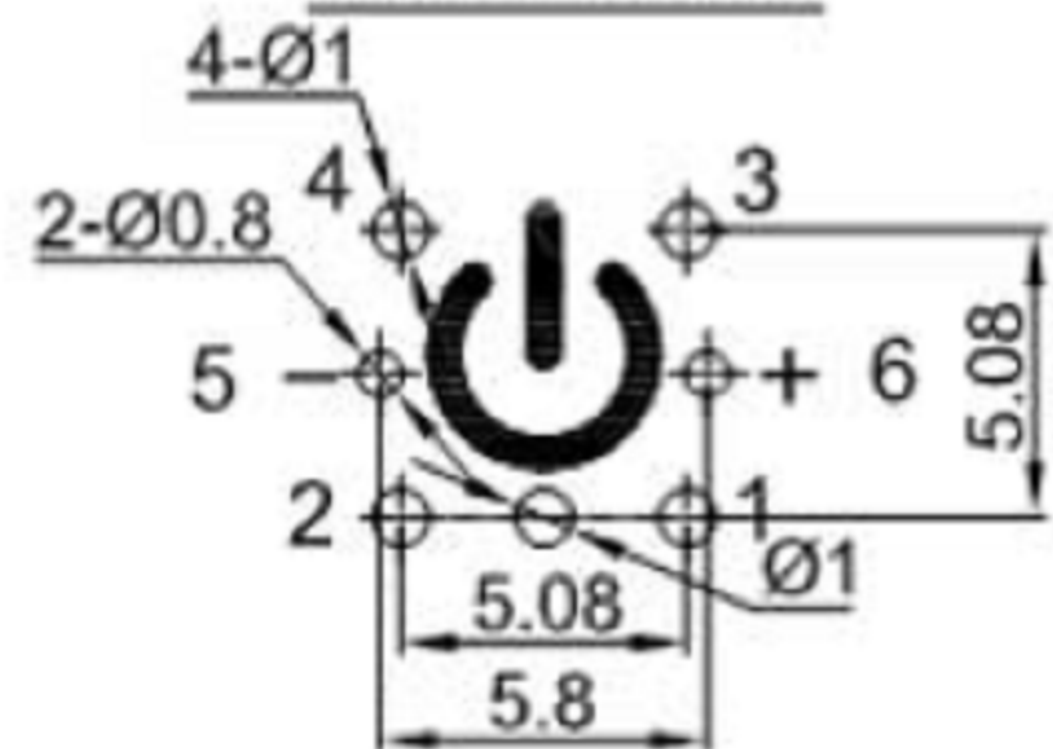


MATERIAL:
 Base Frame: Nylon66, UL rated:94 V-2 Min ;
 Actuator: PBT, UL rated:94 V-0 Min. ;
 Cap: ABS ;
 Terminal: Brass, Silver or Tin plated .

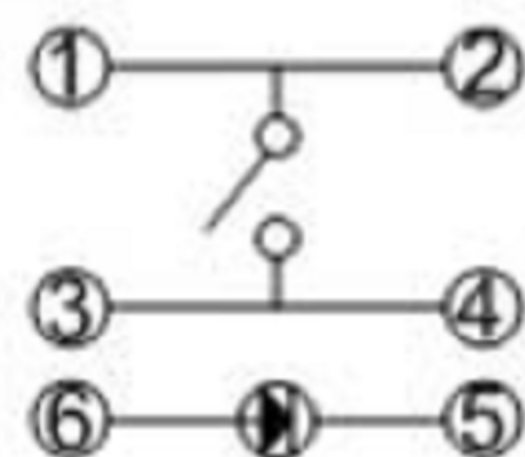
Switch Specifications

Circuit :SPST
 Current rating :50mA
 Voltage rating :12VDC
 Dielectric withstanding voltage:250VAC for 1 minute
 Contact resistance :30mΩ Max. (Initial)
 Insulation resistance :100MΩ Min.
 Operating force :250±50gf
 :180±50gf
 Total travel :0.25mm±0.1mm
 Operating life :100,000 cycles Min
 Solder specifications :256° C for 5 seconds
 Function :Momentary
 Operating temperature :-20° C ~ +70° C

P.C.B. LAYOUT



CIRCUIT



7	CAP	1	ABS / PC	Black
6	LED	1		
5	FIXITY	1	PA66	Black
4	CONTACT	1	PHOSPHOR BRONZE	Ag plated
3	TERMINAL	2	BRASS	Ag plated
2	CASE	1	PA66	Black
1	KNOB	1	PA66	Black/White
NO.	DESCRIPTION	QTY	MATERIAL	PLATING

广东科斯达电子科技有限公司
 GUANG DONG KE SI DA ELECTRONIC TECHNOLOGY CO., LTD.

TOLERANCE UNLESS OTHERWISE STATED:
 Up to 5 ±0.2
 Above 5 ~ 15 ±0.3
 Above 15 ~ 30 ±0.4
 Above 30 ~ 50 ±0.5
 Angle ±0.3

3RD. ANGEL'S

UNITS MM

DRAWN BY:	DATE	MAT'L	TITLE	SWITCH
Jack Lu	12/27/22	FINISH	MODLE	TACT SWITCH WITH LED
CHECKED BY:	DATE	SCALE	DWG NO.	SIZE
Jacky Chen	12/27/22	1 : 1	PART NO.	A4
APPROVED BY:	DATE	SHEET NO.		VER
Tony Kao	12/27/22	1 of 1		R

ITEM NO.	DESCRIPTION	DRAWN	DATE