

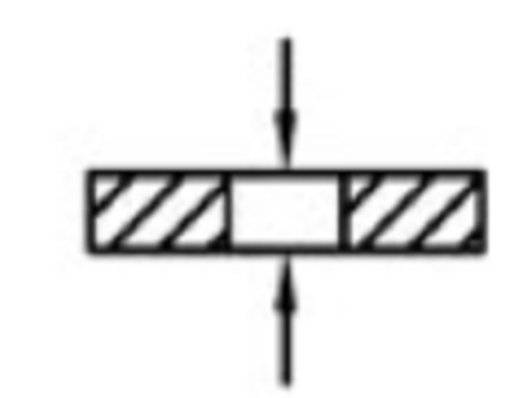
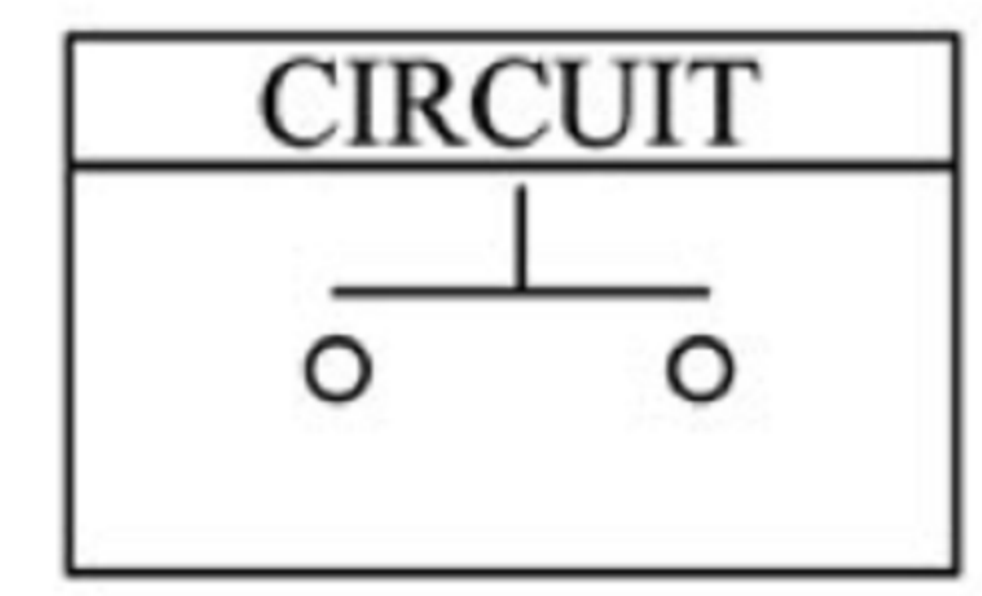
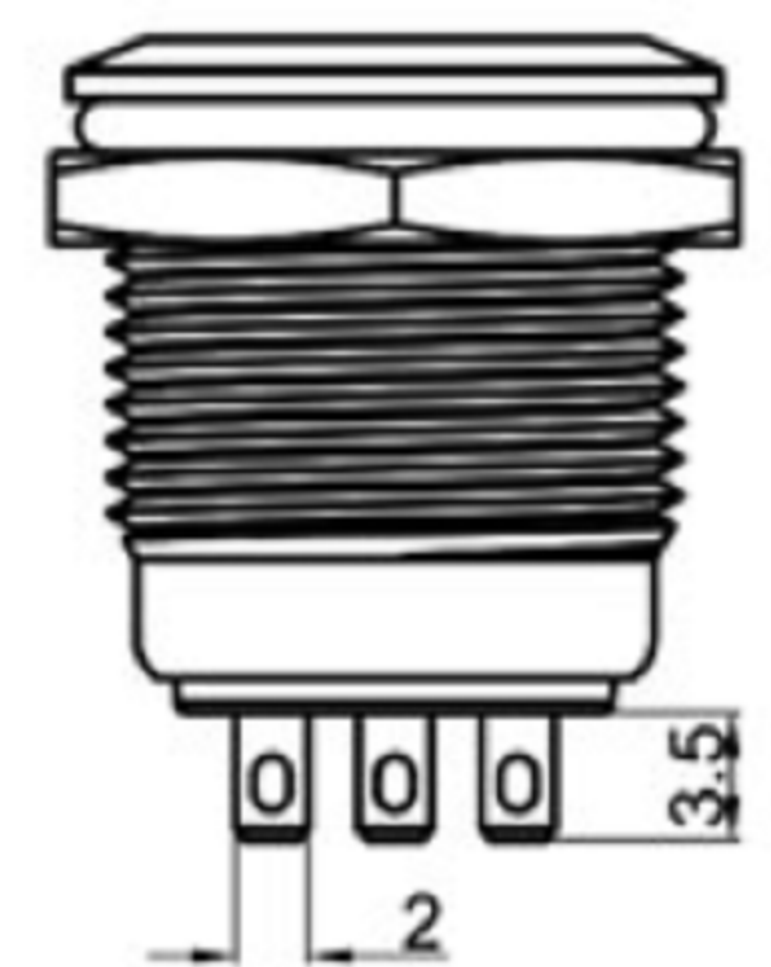
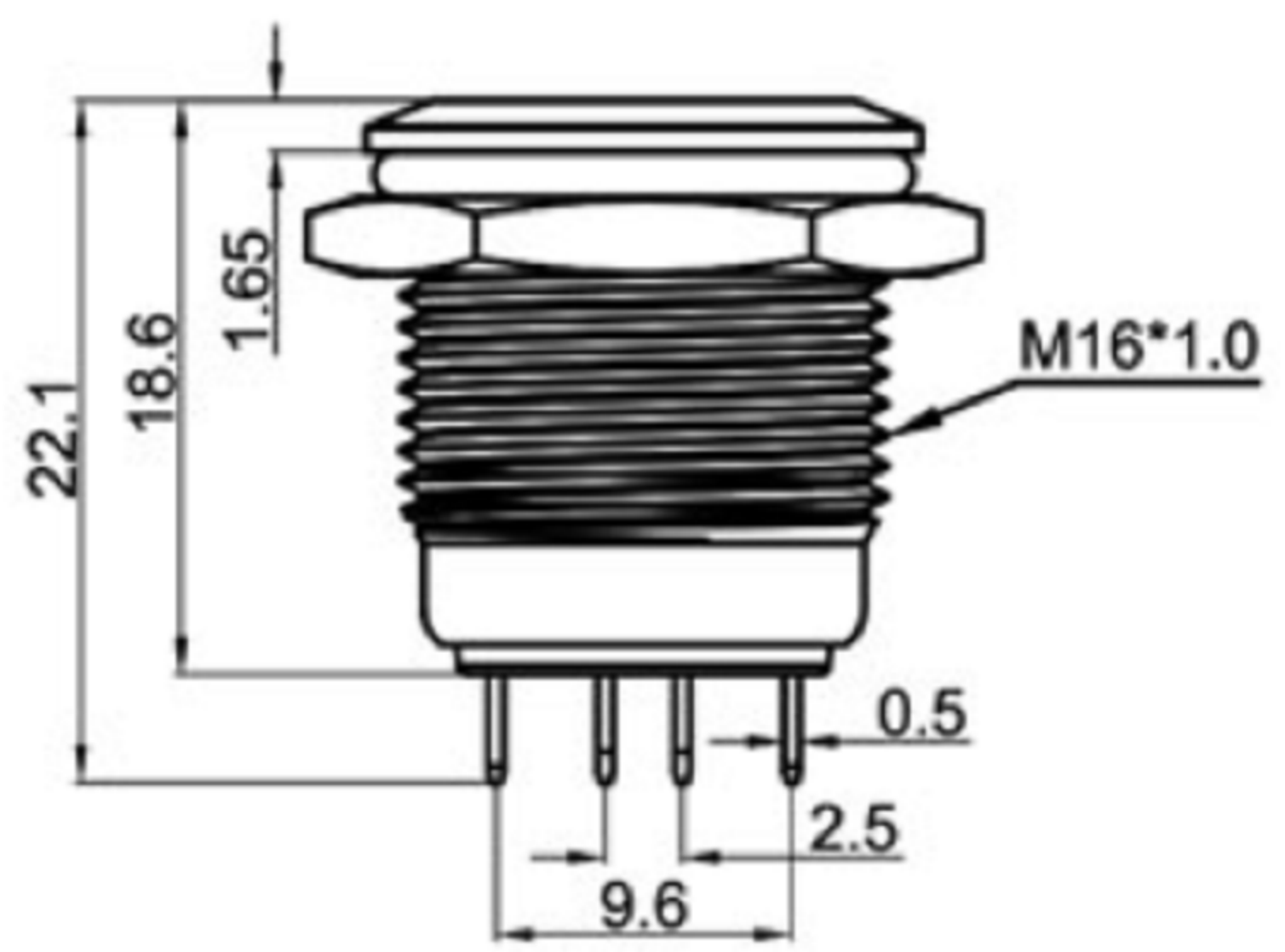


**Switch Specifications**

Rating: 3A 250VAC ;  
2A 36VDC ;

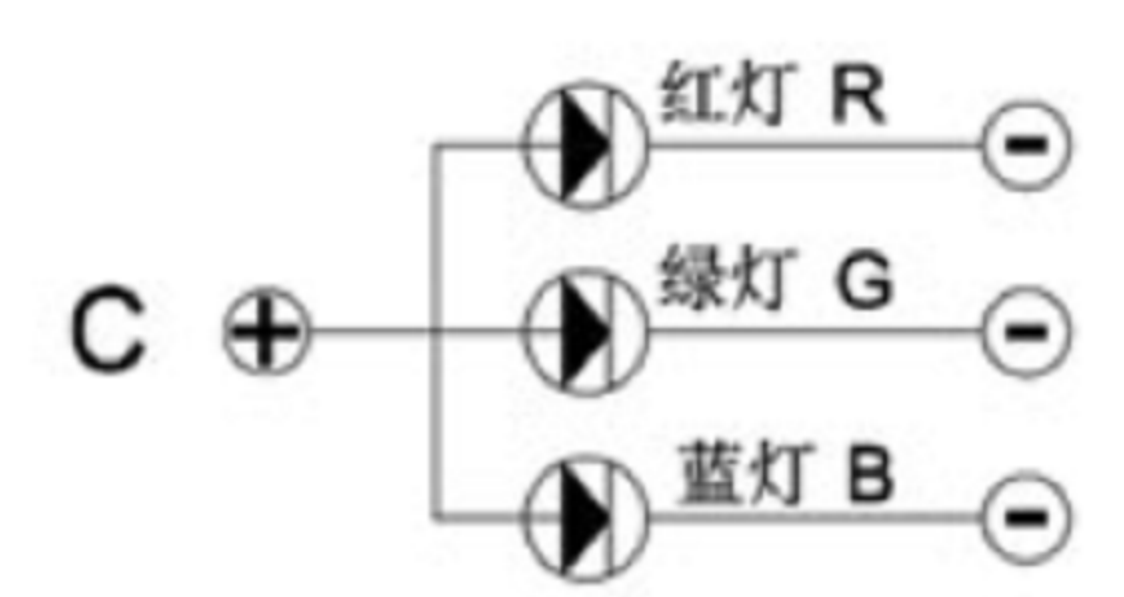
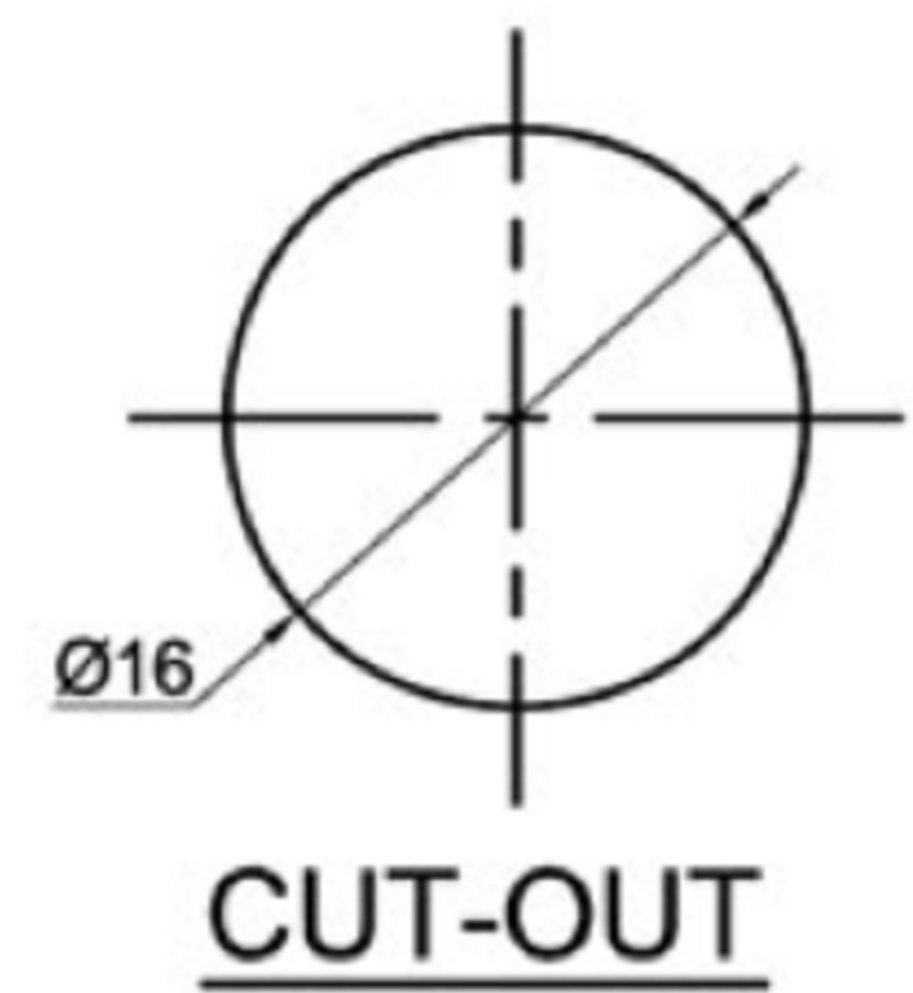
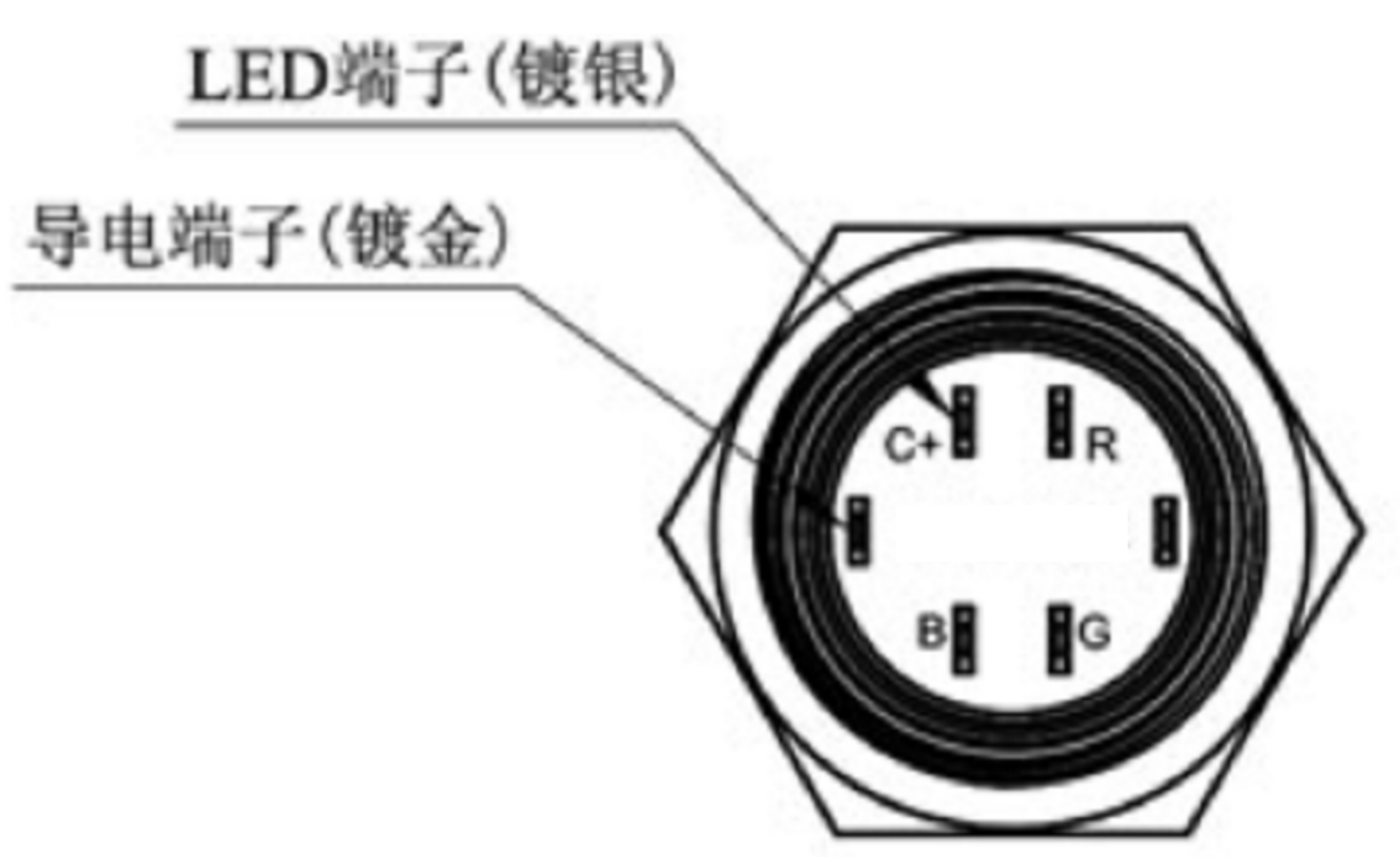


Degree of protection: IP65;  
Contact Resistance: 50mΩ Max. ;  
Dielectric Strength: 1500VAC For 1 minute ;  
Total Travel: 2.0± 0.5mm ;  
Operating Force: 450± 150gf ;  
Mechanical Life: 200,000 cycles ;  
Load Life: 50,000 cycles ;  
Operating Temperature: -20° C ~ 70° C ;  
Function: OFF-(ON)



Panel Thickness: 6mm MAX.

**LED Specifications**



RGB	红色	1.8	2.0	2.4	15
	绿色	2.8	3.0	3.6	15
	蓝色	2.8	3.0	3.6	15
灯发光颜色 X Emitted color X	最小	一般	最大	额定 电流 (mA)	
	顺向电压(V)				

**广东科斯达电子科技有限公司**  
GUANG DONG KE SI DA ELECTRONIC TECHNOLOGY CO., LTD.

TOLERANCE UNLESS OTHERWISE STATED: Up to 5 ±0.2, Above 5 ~ 15 ±0.3, Above 15 ~ 30 ±0.4, Above 30 ~ 50 ±0.5, Angle ±0.3. 3RD. ANGEL'S UNITS MM

DRAWN BY:	DATE	MAT'L	TITLE	SWITCH
Jack Lu	12/27/22			
CHECKED BY:	DATE	FINISH	MODLE	TACT SWITCH WITH LED
Jacky Chen	12/27/22			
APPROVED BY:	DATE	SCALE	DWG NO.	SIZE
Tony Kao	12/27/22	1:1		A4
		SHEET NO.	PART NO.	VER
		1 of 1		R