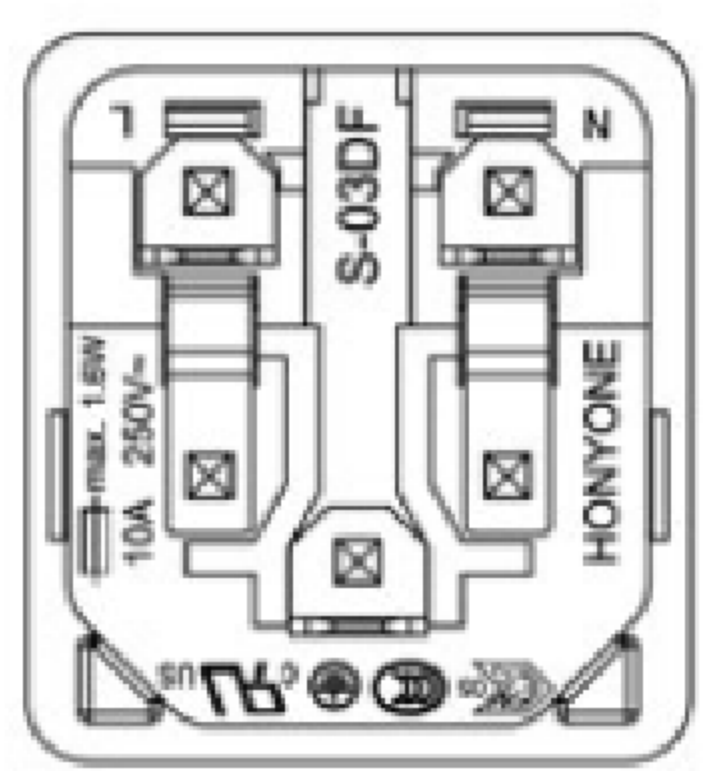
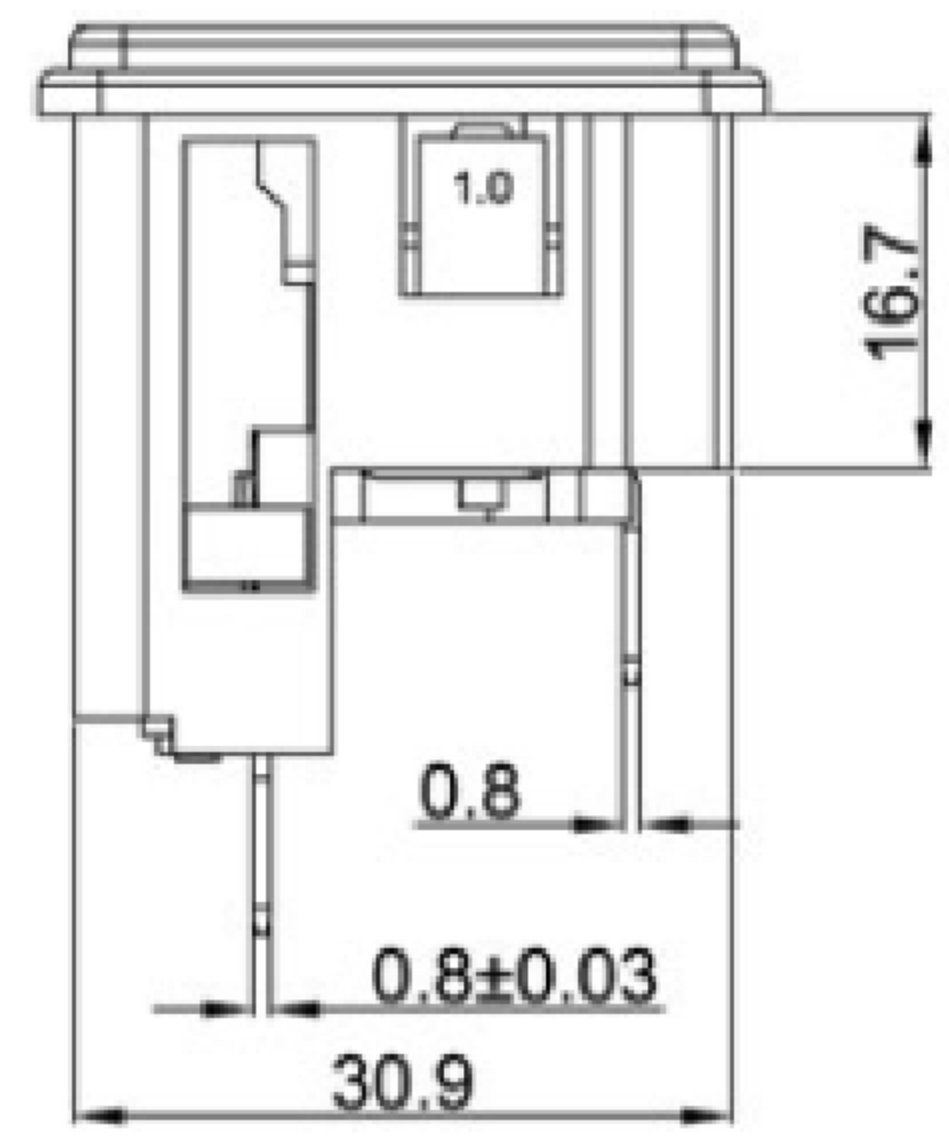
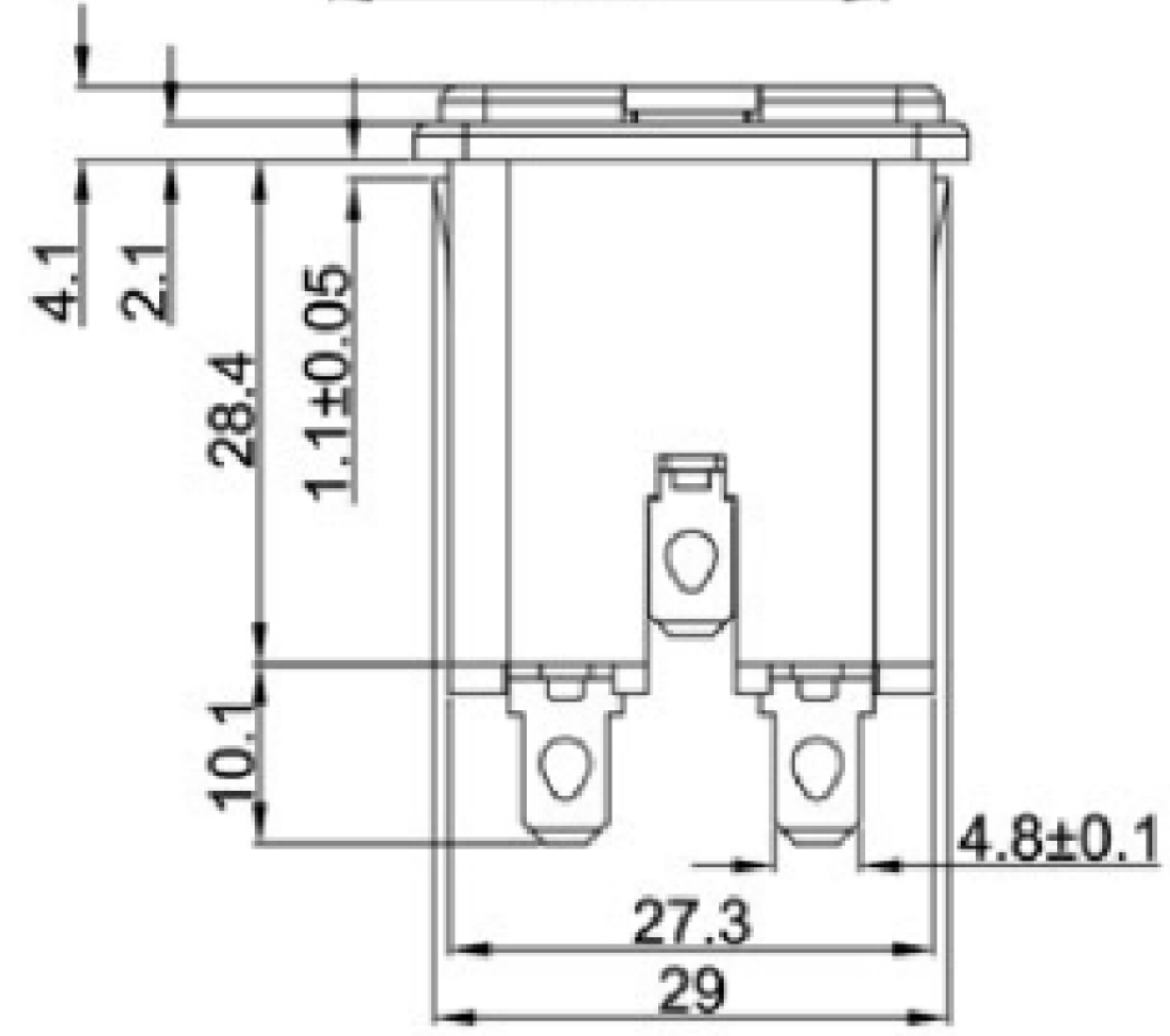


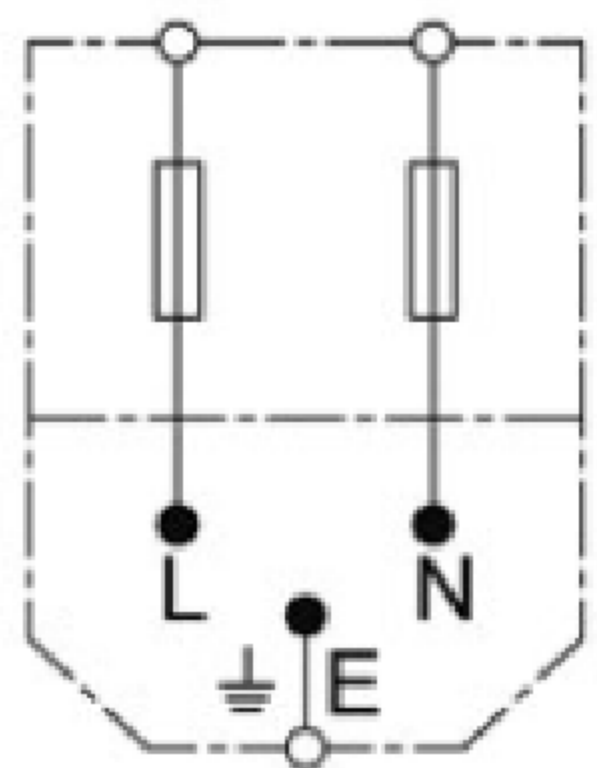
Rating: 10A 250VAC max. 1.6W (UL CUL)
 10A 250VAC max. 1.6W (ENEC K-MARK)
 10A 250VAC max. 1.6W (CCC)

Insulation Resistance: DC 500V 100MΩ Min
 Dielectric Strength: AC 2000V 1minute
 Fuse: Ø5.0x20mm

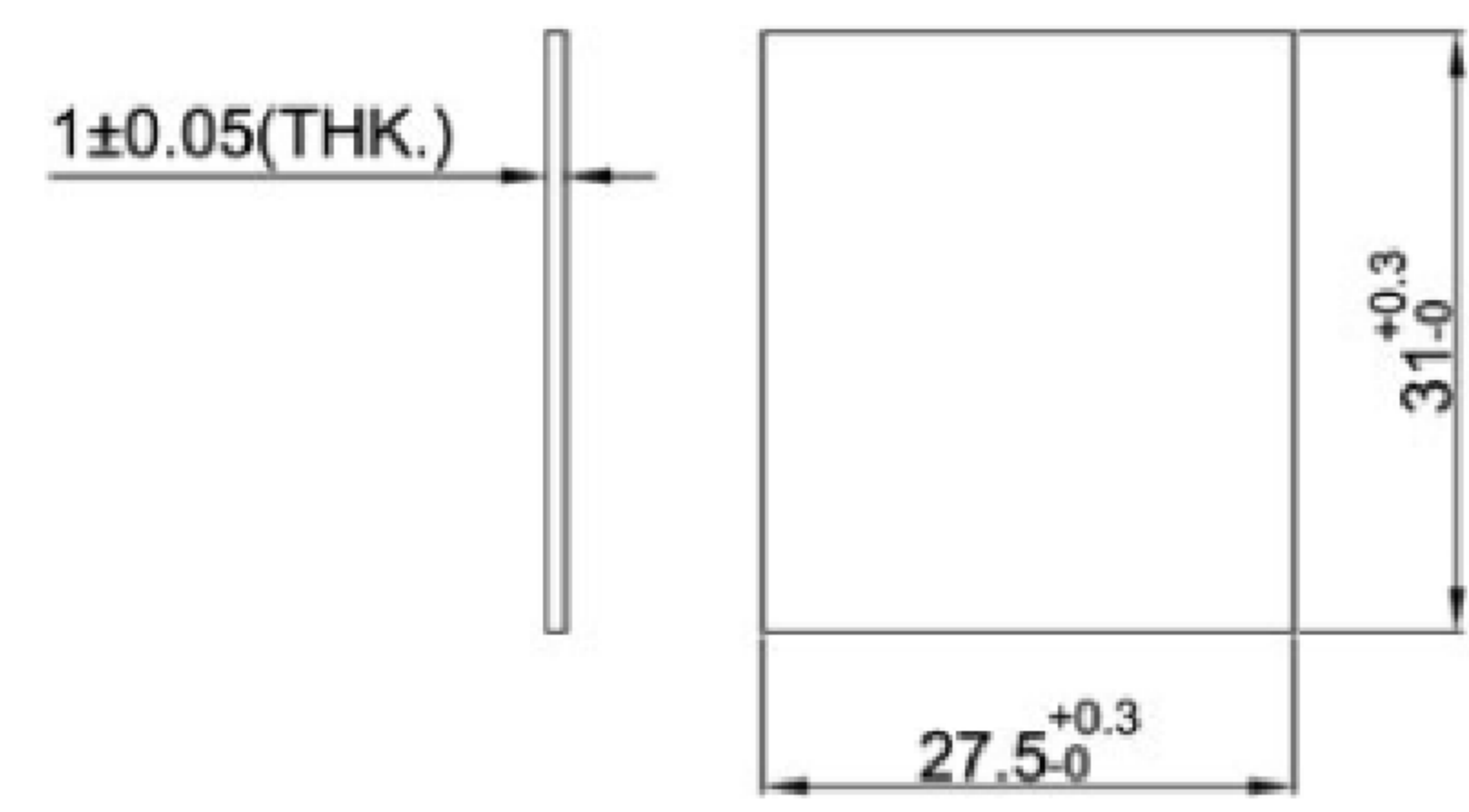
MATERIAL:
 Base: PA66, UL rated: 94 V-2 Min;
 Cap: PA66;
 Terminal: Brass, Tin plated .



Circuit Diagram



PANEL CUTOUT



广东科斯达电子科技有限公司
GUANG DONG KE SI DA ELECTRONIC TECHNOLOGY CO., LTD.

TOLERANCE UNLESS OTHERWISE STATED: Up to 5 ±0.2, Above 5 ~ 15 ±0.3, Above 15 ~ 30 ±0.4, Above 30 ~ 50 ±0.5, Angle ±0.3°
 3RD. ANGEL'S UNITS MM

DRAWN BY:	DATE	MAT'L	TITLE	SWITCH
Jack Lu	12/27/22			
CHECKED BY:	DATE	FINISH	MODLE	TACT SWITCH WITH LED
Jacky Chen	12/27/22			
APPROVED BY:	DATE	SCALE	DWG NO.	SIZE
Tony Kao	12/27/22	1 : 1		A4
		SHEET NO.	PART NO.	VER
		1 of 1		R

ITEM NO.	DESCRIPTION	DRAWN	DATE