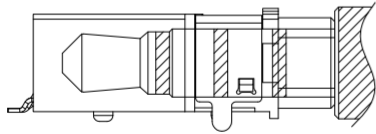
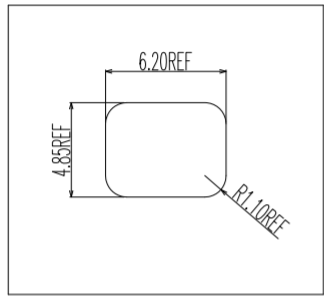
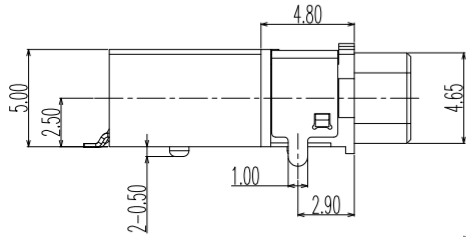


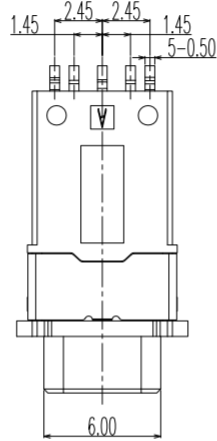
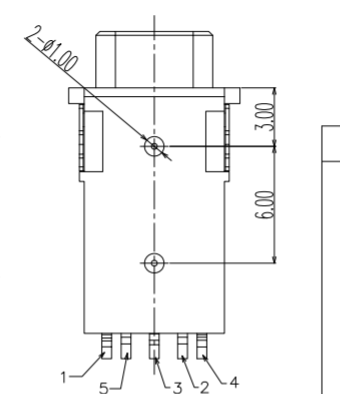
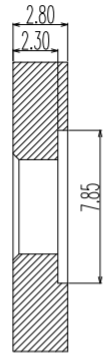
3D VIEW



PLUG MATE DRAWING

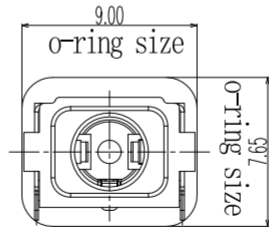


面板开孔参考尺寸

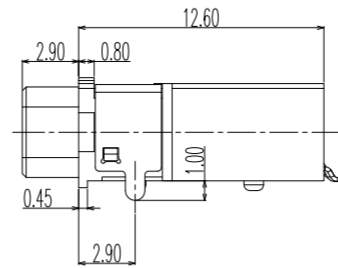


IP-X7  
30min/1m

(uncompressed)

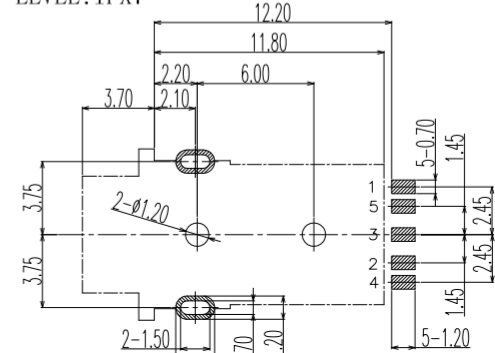


(uncompressed)

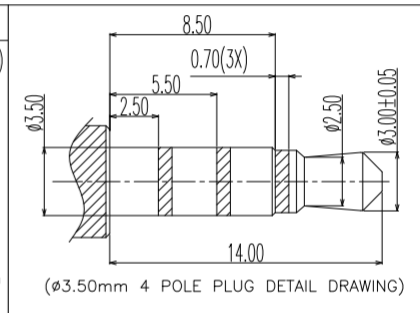
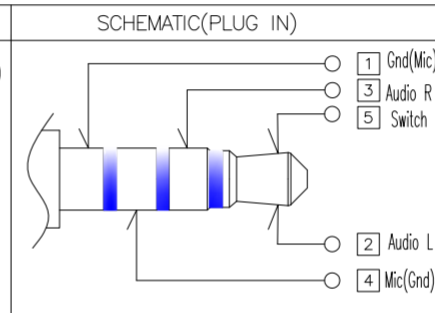
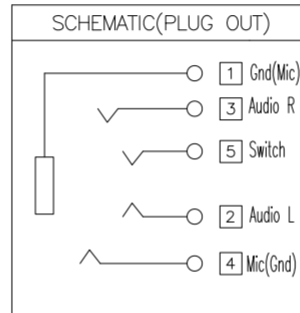


SPECIFICATION:

1. CURRENT RATING: DC 0.5A MAX.
2. VOLTAGE RATING: DC 12V.
3. CONTACT RESISTANCE: 50mΩ MAX.
4. INSULATION RESISTANCE: 100MΩ MIN. AT 500V DC.
5. WITHSTANDING VOLTAGE: 500V AC FOR 1 MINUTE.
6. LIFE TEST: 5000 CYCLES MIN,
7. MATING FORCE: 3~30N,  
UNMATING FORCE: 3~30N.
8. TEPROOF LEVEL: IPX7



RECOMMENDED P.C.B LAYOUT  
TOP VIEW



8	COVER	1	HIGH TEMPERATURE PLASTIC COLOR BLACK
7	HOUSING	1	HIGH TEMPERATURE PLASTIC COLOR BLACK
6	SHELL	1	PHOSPHOR BRONZE; THE BOTTOM OF THE NICKEL; THE WHOLE TIN PLATING
5	TERMINAL 5#	1	PHOSPHOR BRONZE; GOLD FLASH ON CONTACT AREA; GOLD FLASH PLATING ON SOLDER TAIL AREA, ALL OVER NICKEL PLATED
4	TERMINAL 4#	1	
3	TERMINAL 3#	1	PHOSPHOR BRONZE; GOLD FLASH ON CONTACT AREA; GOLD FLASH PLATING ON SOLDER TAIL AREA, ALL OVER NICKEL PLATED
2	TERMINAL 2#	1	
1	TERMINAL 1#	1	
ITEM	NAME	Q'TY	DESCRIPTION

MEASURE POINT: QUADRANT POINT TANGENCY POINT INTERSECTION POINT	GP TP IP
UNLESS OTHERWISE SPECIFIED, TOLERANCE:	
X.	±0.25
X.x	±0.20
X.xx	±0.15
X.xxx	±0.10
ANGULAR	±3°

		<b>广东科斯达电子科技有限公司</b> KSDKG Guang dong Keside Electronic Technology Co., Ltd.	
DESIGN:	DATE:	TITLE:	
CHECKED:	DATE:	φ3.5mm PHONE JACK	
APPROVED:	DATE:	REV.: B	SCALE: 1:1
PART NO.		UNIT: mm	
DRAWING NO.		SIZE: A4	SHEET: 1/1