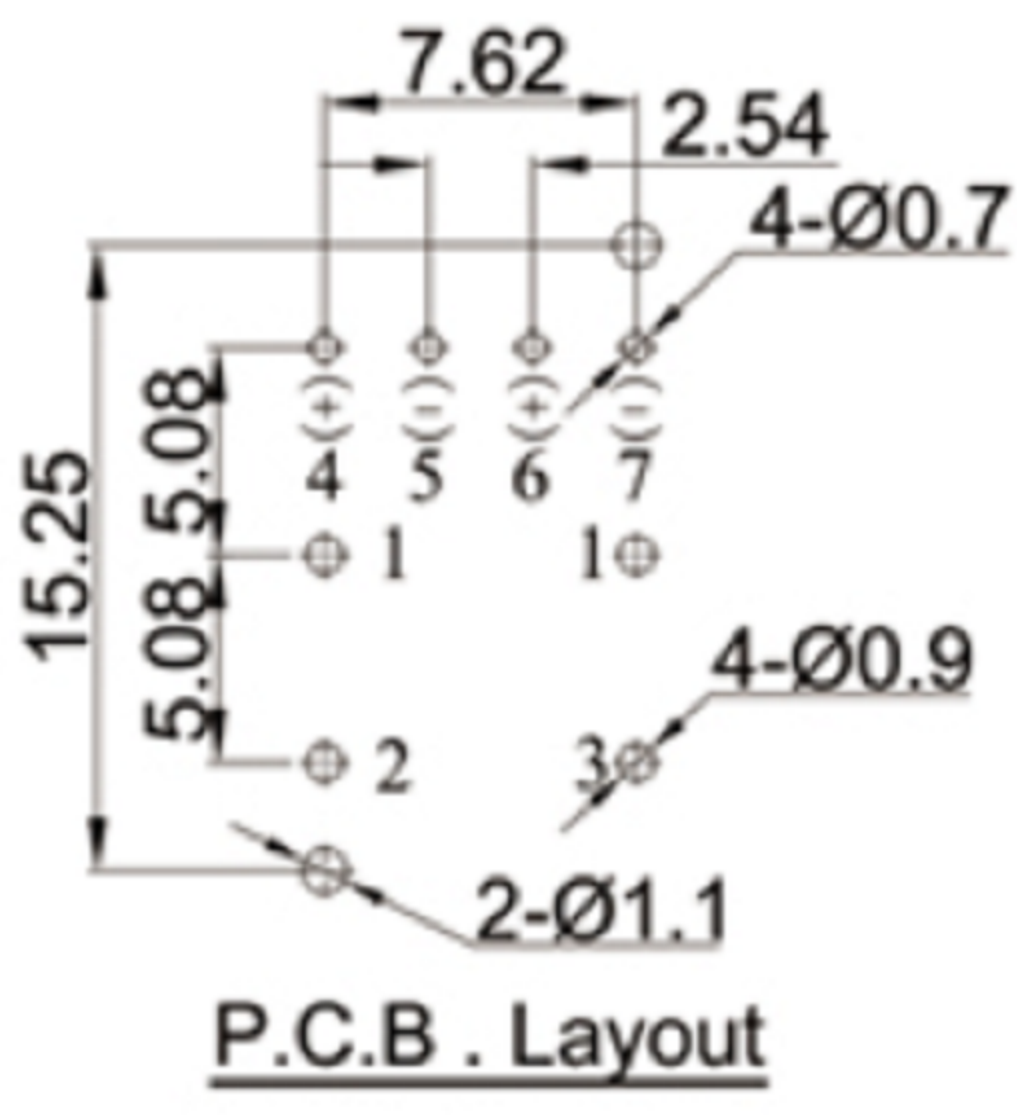
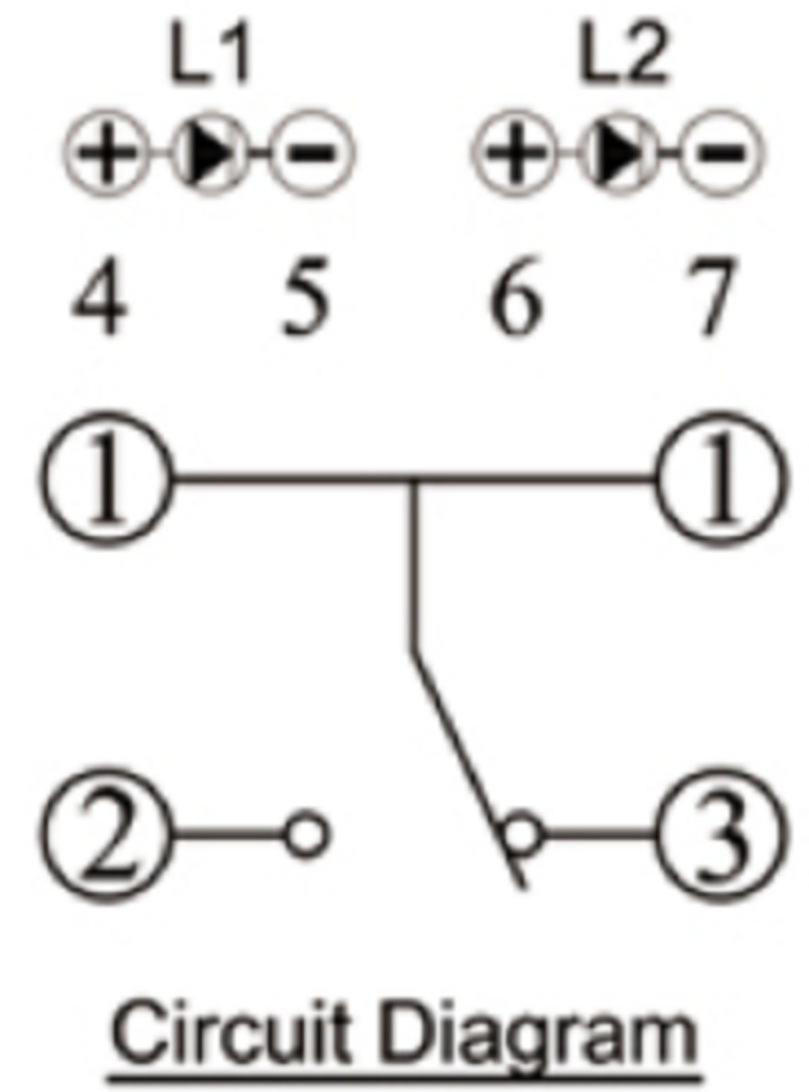
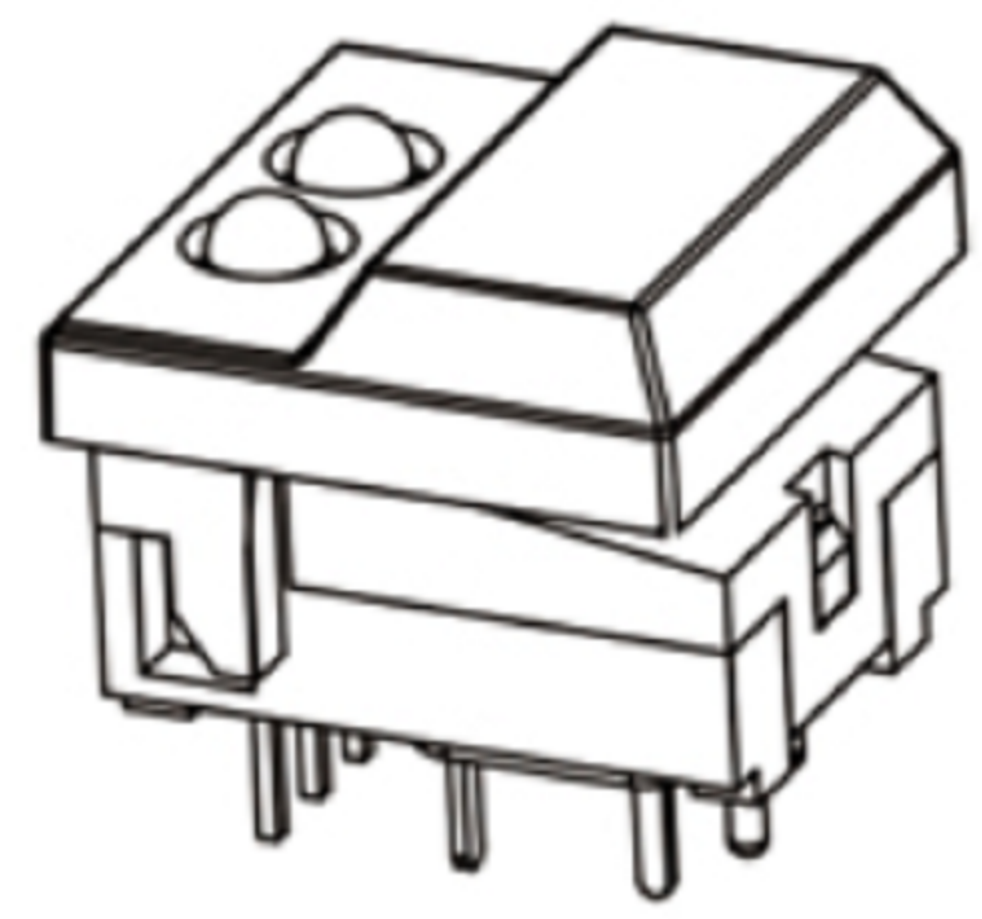


CAP STYLES



广东科斯达电子科技有限公司
GUANG DONG KE SI DA ELECTRONIC TECHNOLOGY CO., LTD.

TOLERANCE UNLESS OTHERWISE STATED: Up to 5 ±0.2, Above 5 ~ 15 ±0.3, Above 15 ~ 30 ±0.4, Above 30 ~ 50 ±0.5, Angle ±0.3

3RD. ANGEL'S UNITS MM

DRAWN BY: Jack Lu DATE: 12/27/22
CHECKED BY: Jacky Chen DATE: 12/27/22
APPROVED BY: Tony Kao DATE: 12/27/22

MAT'L		TITLE	SWITCH
FINISH		MODLE	TACT SWITCH WITH LED
SCALE	1:1	DWG NO.	
SHEET NO.	1 of 1	PART NO.	

ITEM NO.	DESCRIPTION	DRAWN	DATE

SIZE A4
VER R