



安裝尺寸Diameter: $\Phi 22$ mm

燈珠顏色Color: **R** **G** **Y** **O** **B** **W**

開關額定值Switch Rating: 5A/250VAC

開關組合Contact Configuration: 1NO 1NC

操作類型Operation Type: 自復型Momentary
自鎖型Maintained(Z)

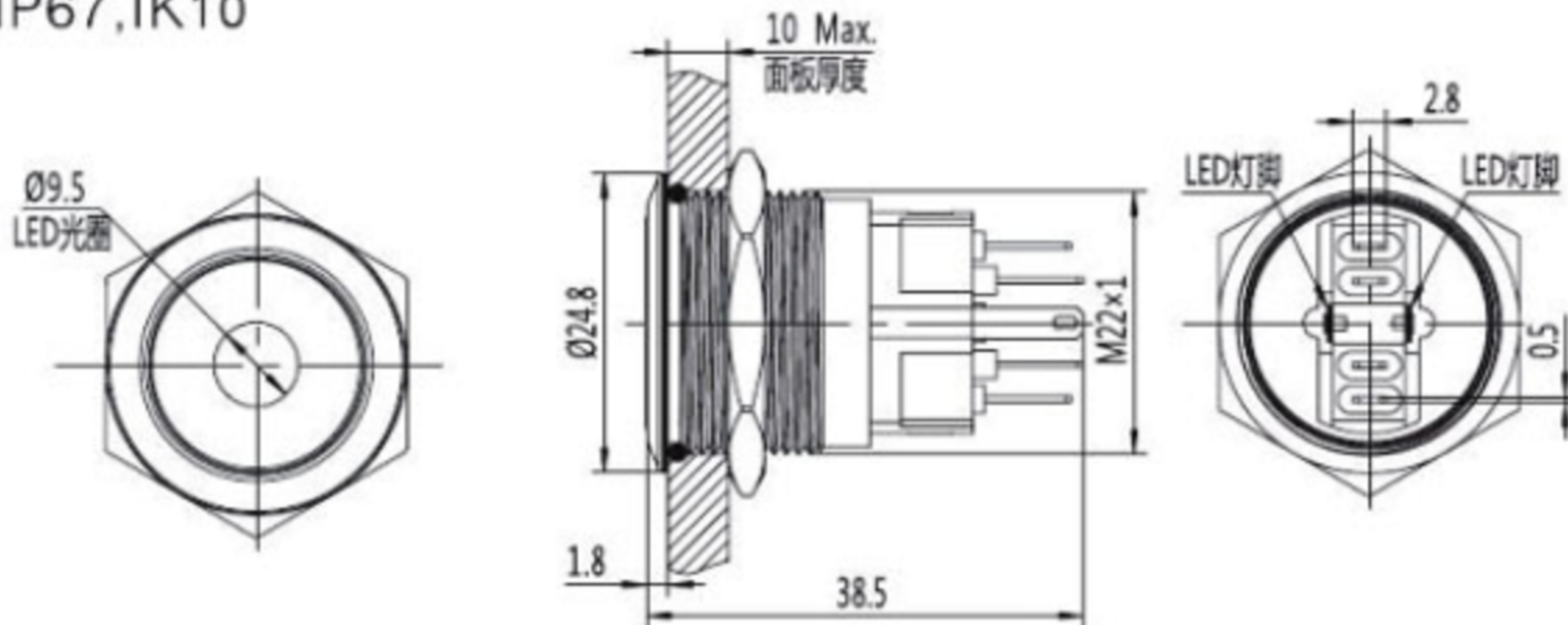
頭部形狀The Front Shape: 平面 Flat

帶燈方式Lamp type: 單點帶燈Dot Illuminated(LED)

外殼材料

The Crust Material: 不銹鋼Stainless steel

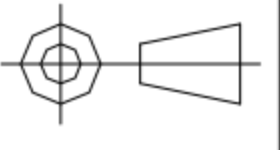
防護等級IP Degree: IP67, IK10



注：自復和自鎖總長度不一樣,自鎖長度43mm。

 **广东科斯达电子科技有限公司**
GUANG DONG KE SI DA ELECTRONIC TECHNOLOGY CO., LTD.

TOLERANCE UNLESS OTHERWISE STATED:
 Up to 5 ±0.2
 Above 5 ~ 15 ±0.3
 Above 15 ~ 30 ±0.4
 Above 30 ~ 50 ±0.5
 Angle ±0.3

3RD. ANGEL'S 

UNITS MM

DRAWN BY:	DATE	MAT'L	TITLE	SWITCH
Jack Lu	12/27/22			
CHECKED BY:	DATE	FINISH	MODLE	TACT SWITCH WITH LED
Jacky Chen	12/27/22			
APPROVED BY:	DATE	SCALE	DWG NO.	SIZE
Tony Kao	12/27/22	1 : 1		A4
		SHEET NO.	PART NO.	VER
		1 of 1		R

ITEM NO.	DESCRIPTION	DRAWN	DATE