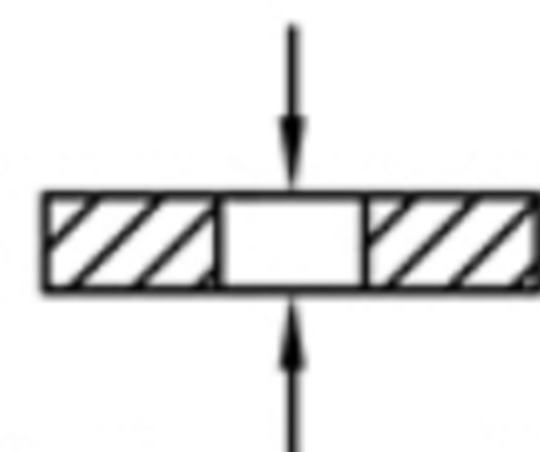
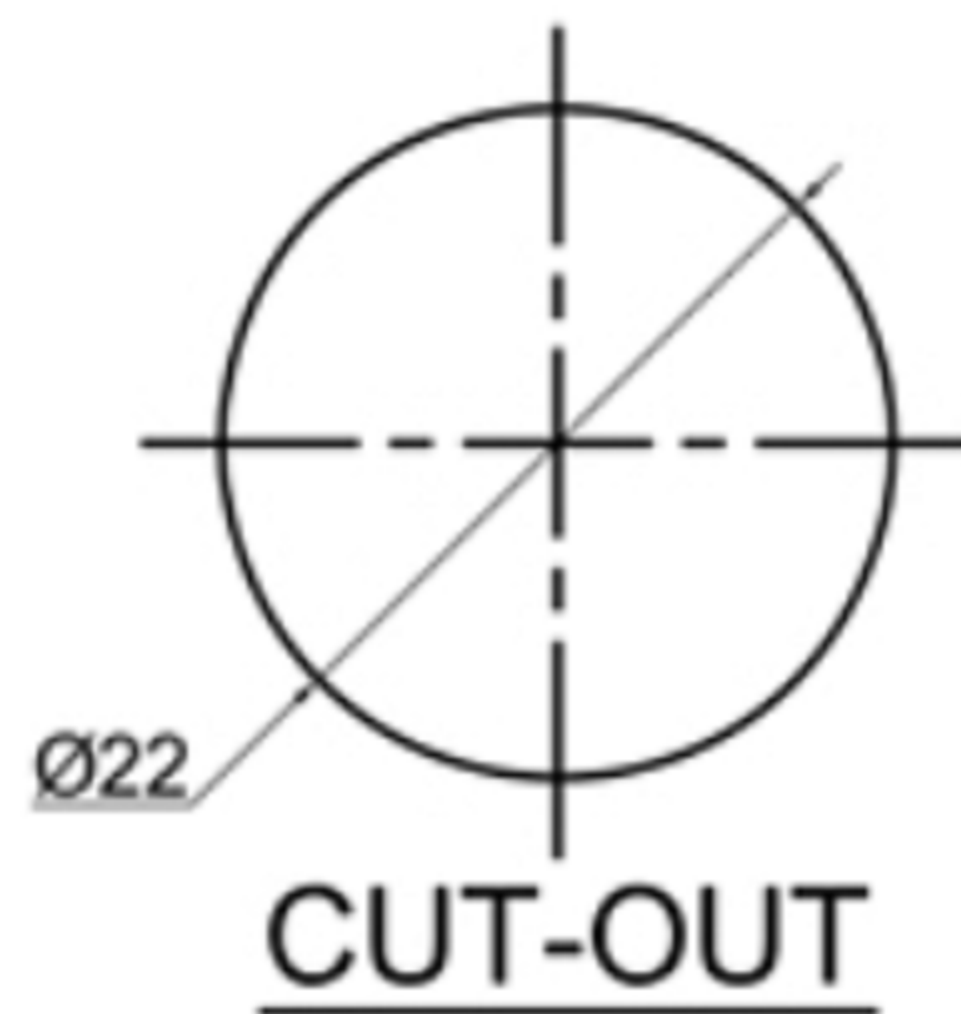
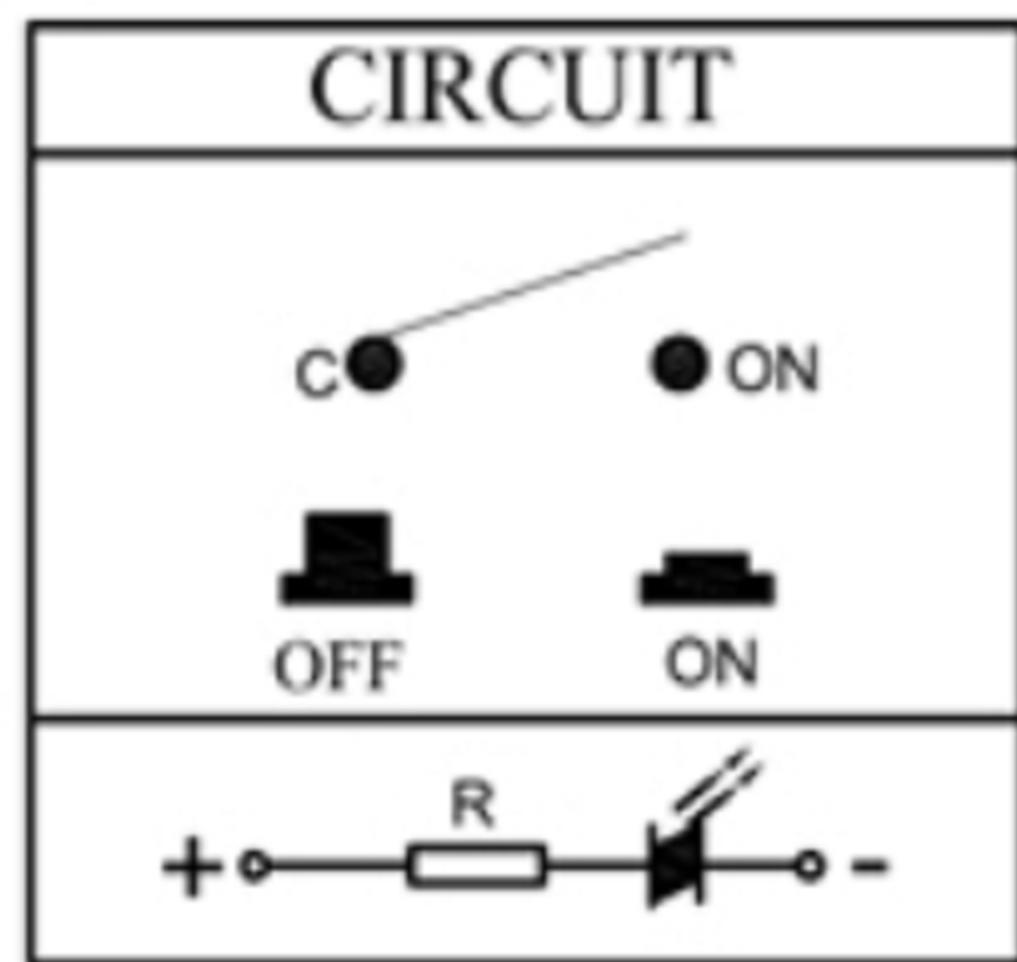
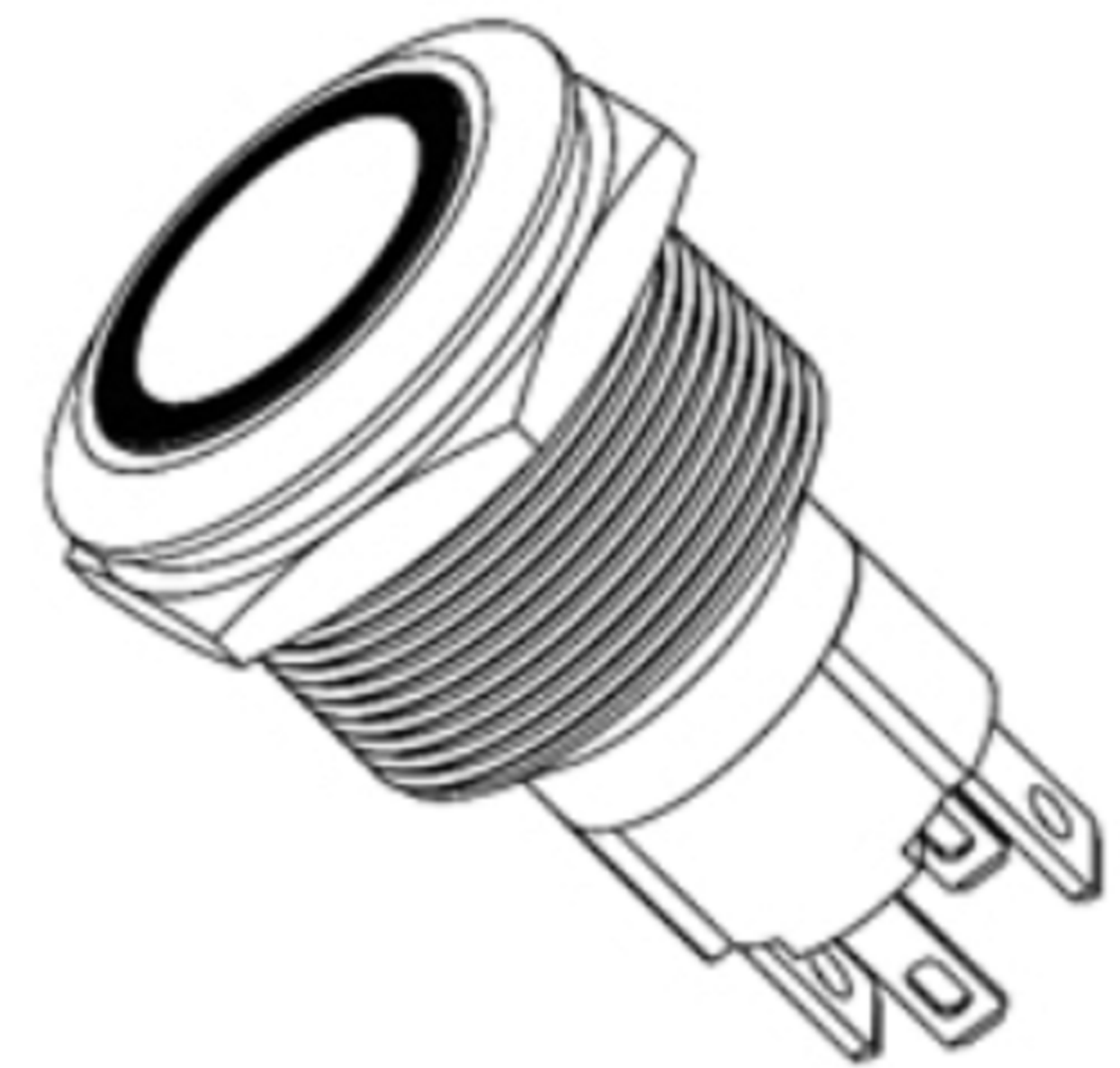
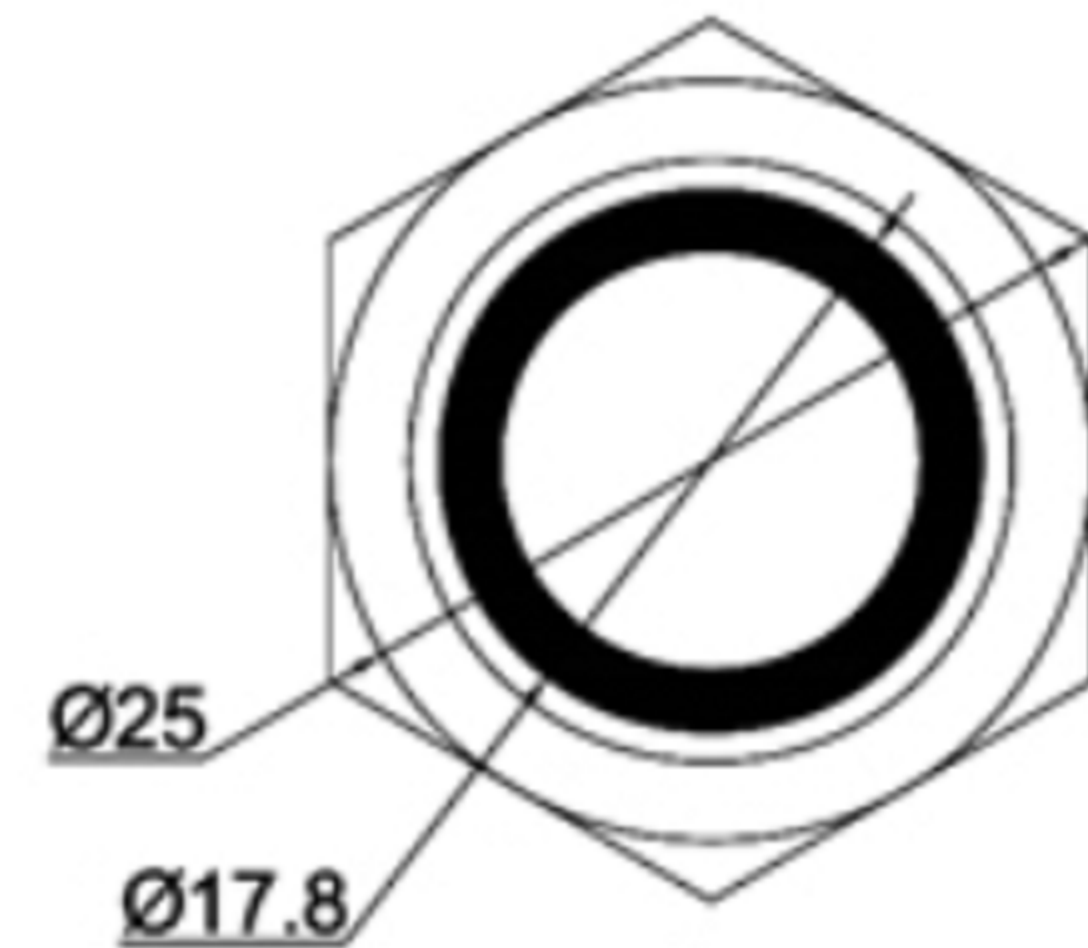


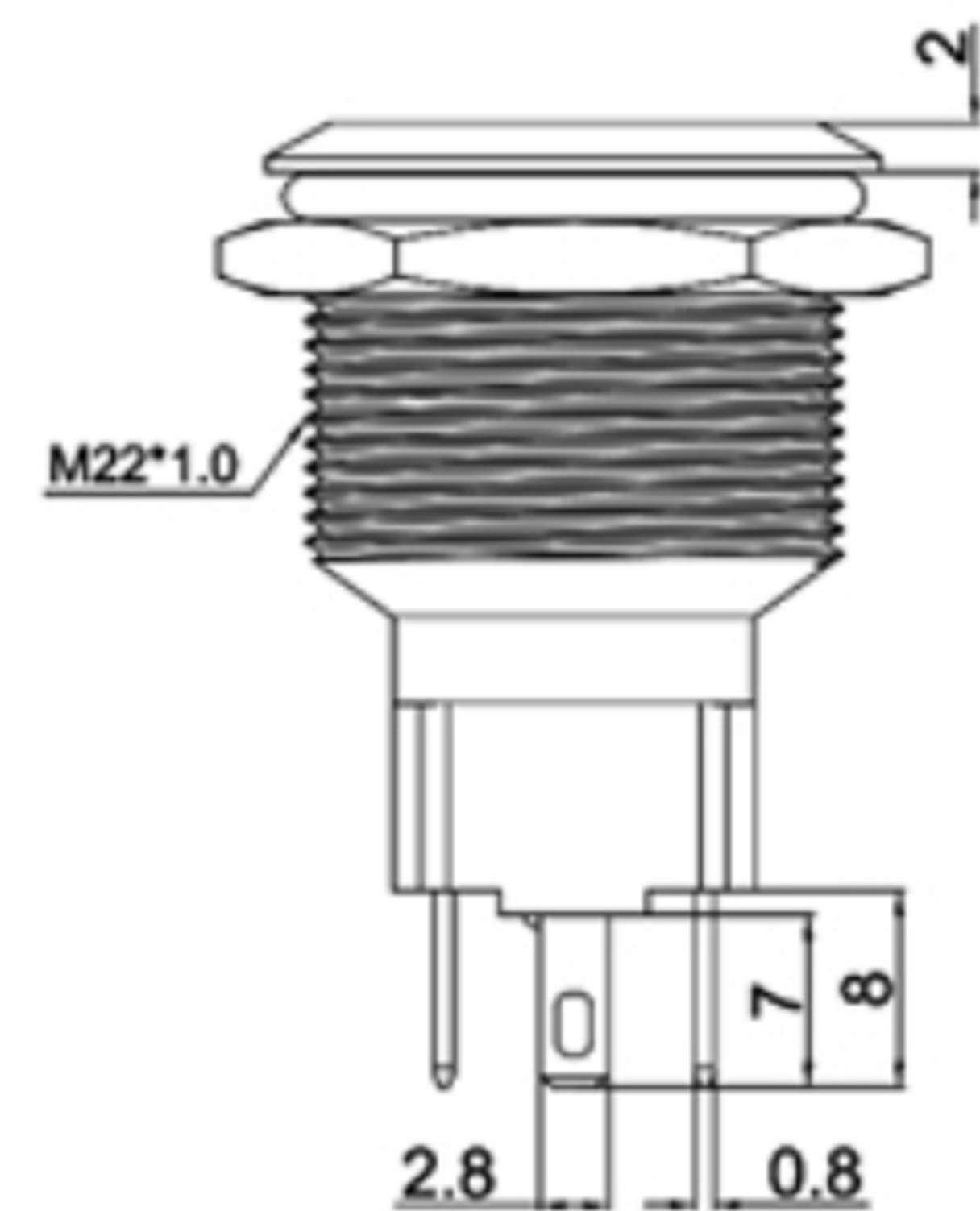
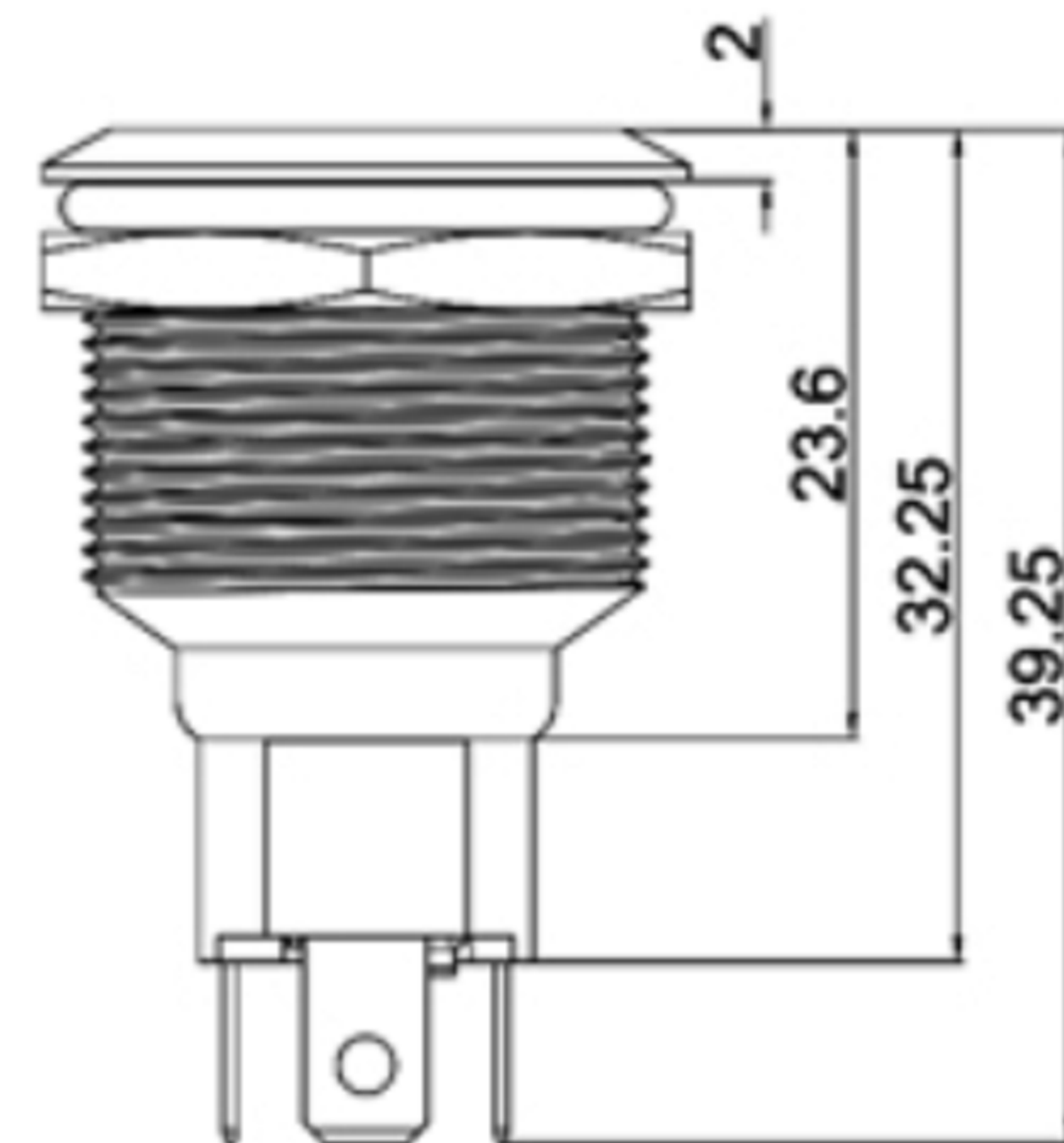


SPECIFICATIONS

Rating: 10A 250VACmax;
 Degree of protection: IP67;
 Contact Resistance: 50mΩ Max. ;
 Dielectric Strength:1500VAC For 1 minute ;
 Total Travel: 3± 0.5mm ;
 Operating Force:600± 200gf ;
 Mechanical Life:30,000 cycles ;
 Load Life:10,000 cycles ;
 Operating Temperature:-20° C~70° C ;
 Function:LOCK



Panel Thickness: 10mm MAX.




广东科斯达电子科技有限公司
 GUANG DONG KE SI DA ELECTRONIC TECHNOLOGY CO., LTD.

TOLERANCE UNLESS OTHERWISE STATED :
 Up to 5 ±0.2
 Above 5 ~ 15 ±0.3
 Above 15 ~ 30 ±0.4
 Above 30 ~ 50 ±0.5
 Angle ±0.3
 3RD. ANGEL'S
 UNITS MM

DRAWN BY:	DATE	MAT'L	TITLE	SWITCH
Jack Lu	12/27/22		MODLE	TACT SWITCH WITH LED
CHECKED BY:	DATE	FINISH	DWG NO.	SIZE
Jacky Chen	12/27/22			A4
APPROVED BY:	DATE	SCALE	PART NO.	VER
Tony Kao	12/27/22	1 : 1		R
SHEET NO.	1 of 1			

ITEM NO.	DESCRIPTION	DRAWN	DATE