



Switch Specifications

Rating: 5A 250VAC ;
2A 36VDC ;

Degree of protection: IP67;

Contact Resistance: 50mΩ Max. ;

Dielectric Strength: 1000VAC For 1 minute ;

Total Travel: 2.8± 0.5mm ;

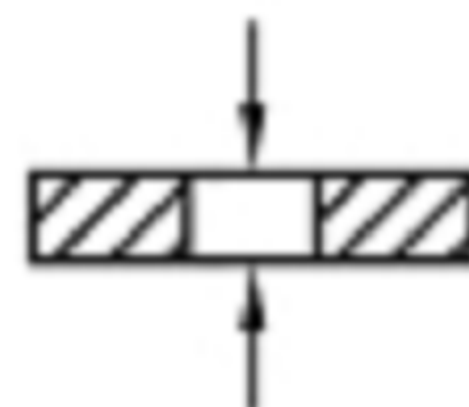
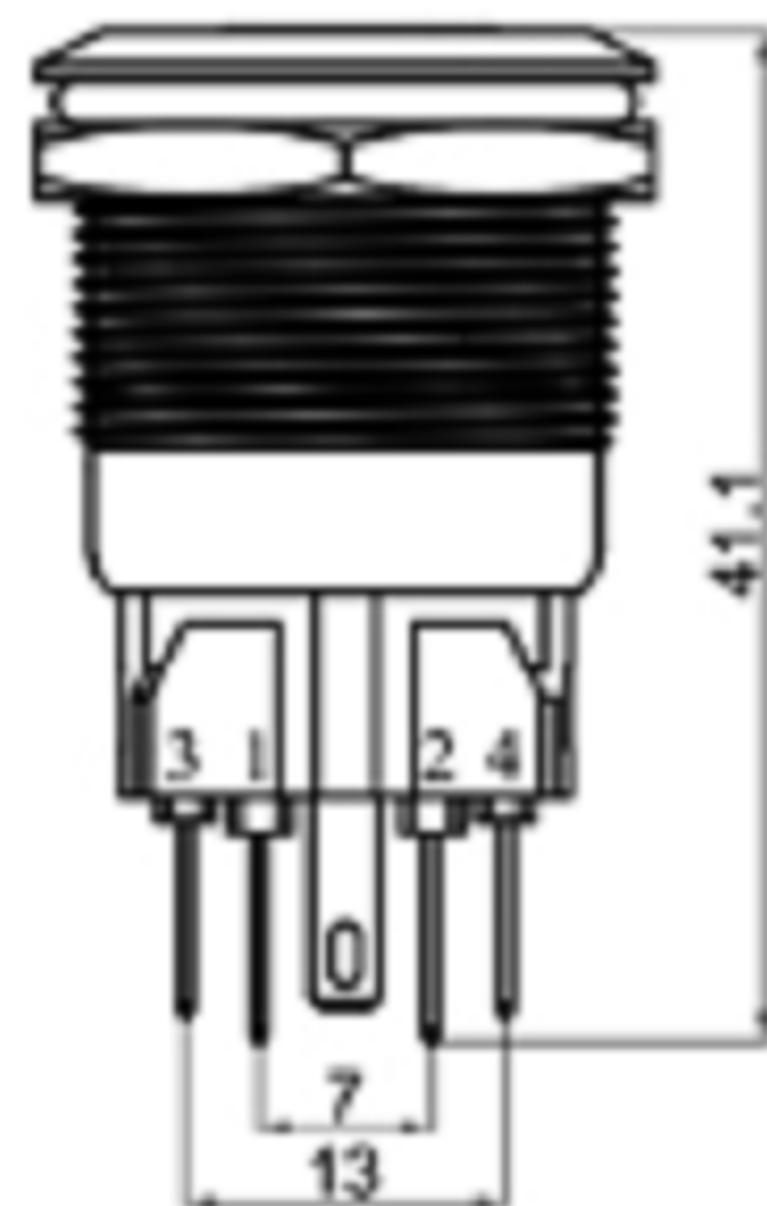
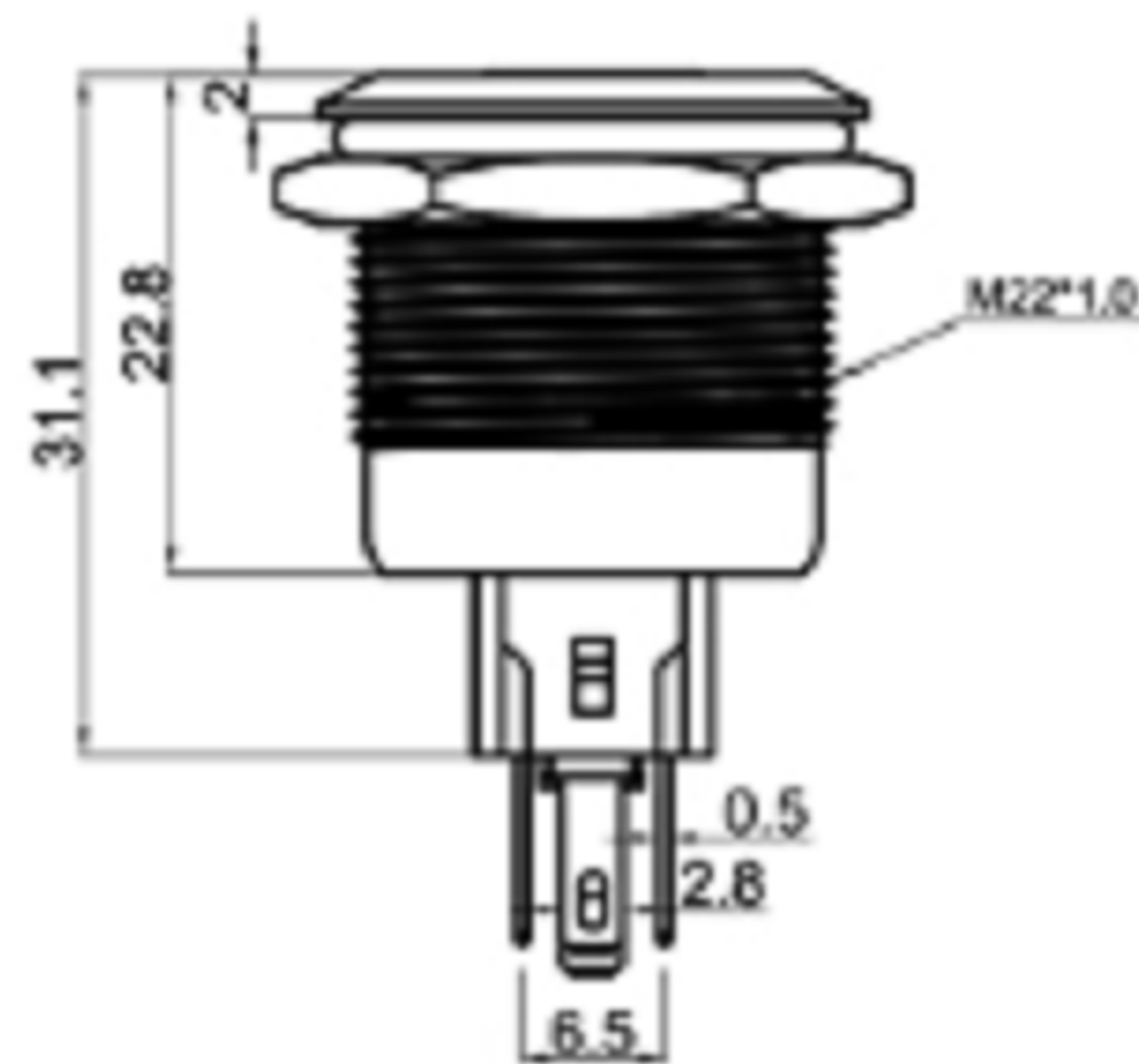
Operating Force: 600± 200gf ;

Mechanical Life: 200,000 cycles ;

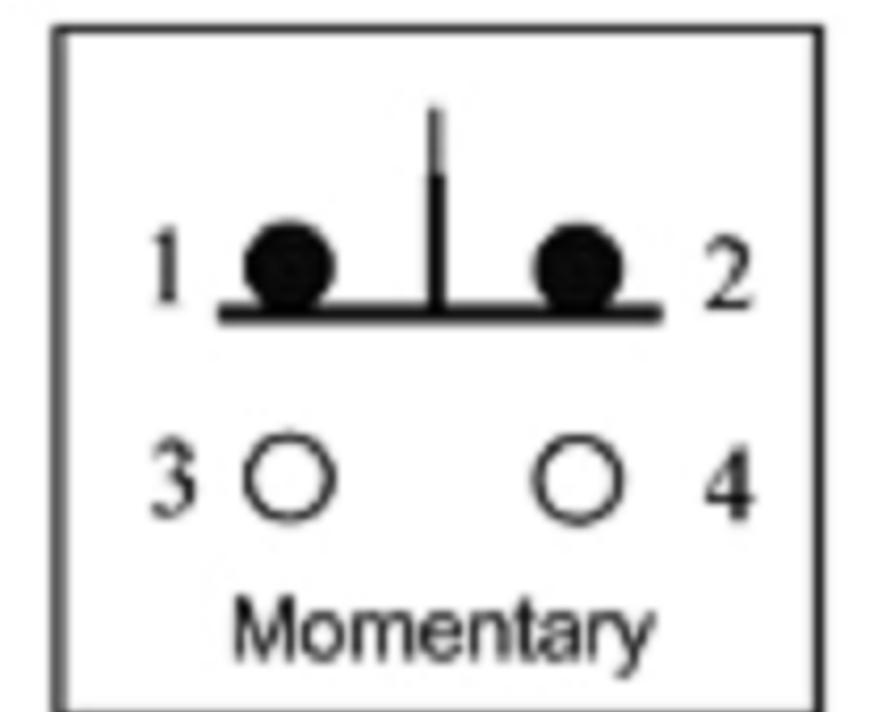
Load Life: 50,000 cycles ;

Operating Temperature: -20° C ~ 85° C ;

Function: OFF-(ON)



Panel Thickness: 10mm MAX.



 **广东科斯达电子科技有限公司**
GUANG DONG KE SI DA ELECTRONIC TECHNOLOGY CO., LTD.

TOLERANCE UNLESS OTHERWISE STATED:
Up to 5 ±0.2
Above 5 ~ 15 ±0.3
Above 15 ~ 30 ±0.4
Above 30 ~ 50 ±0.5
Angle ±0.3

3RD. ANGEL'S

UNITS MM

DRAWN BY:	DATE	MAT'L	TITLE	SWITCH
Jack Lu	12/27/22		MODLE	TACT SWITCH WITH LED
CHECKED BY:	DATE	FINISH	DWG NO.	SIZE
Jacky Chen	12/27/22			A4
APPROVED BY:	DATE	SCALE	PART NO.	VER
Tony Kao	12/27/22	1 : 1		R
SHEET NO.	1 of 1			

ITEM NO.	DESCRIPTION	DRAWN	DATE