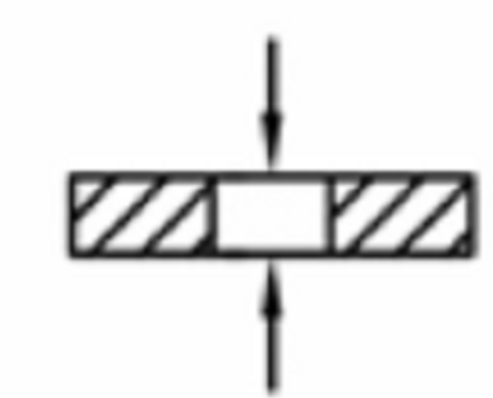
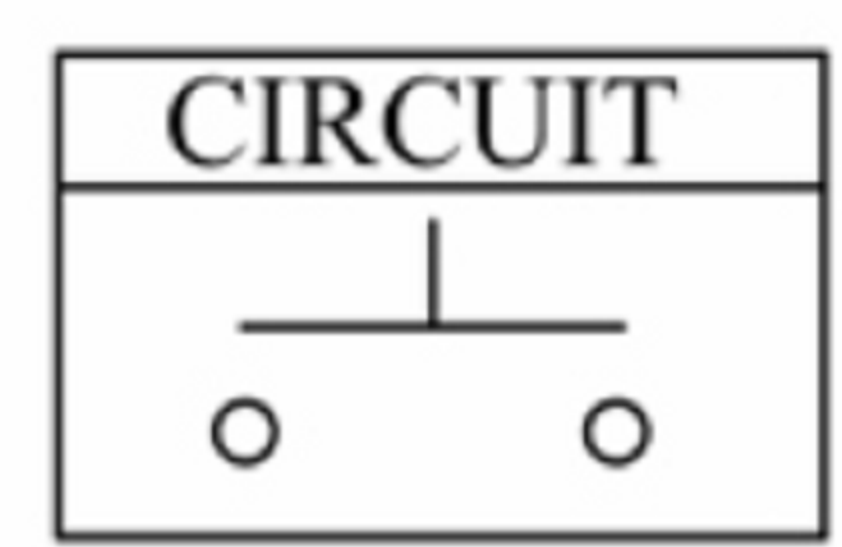
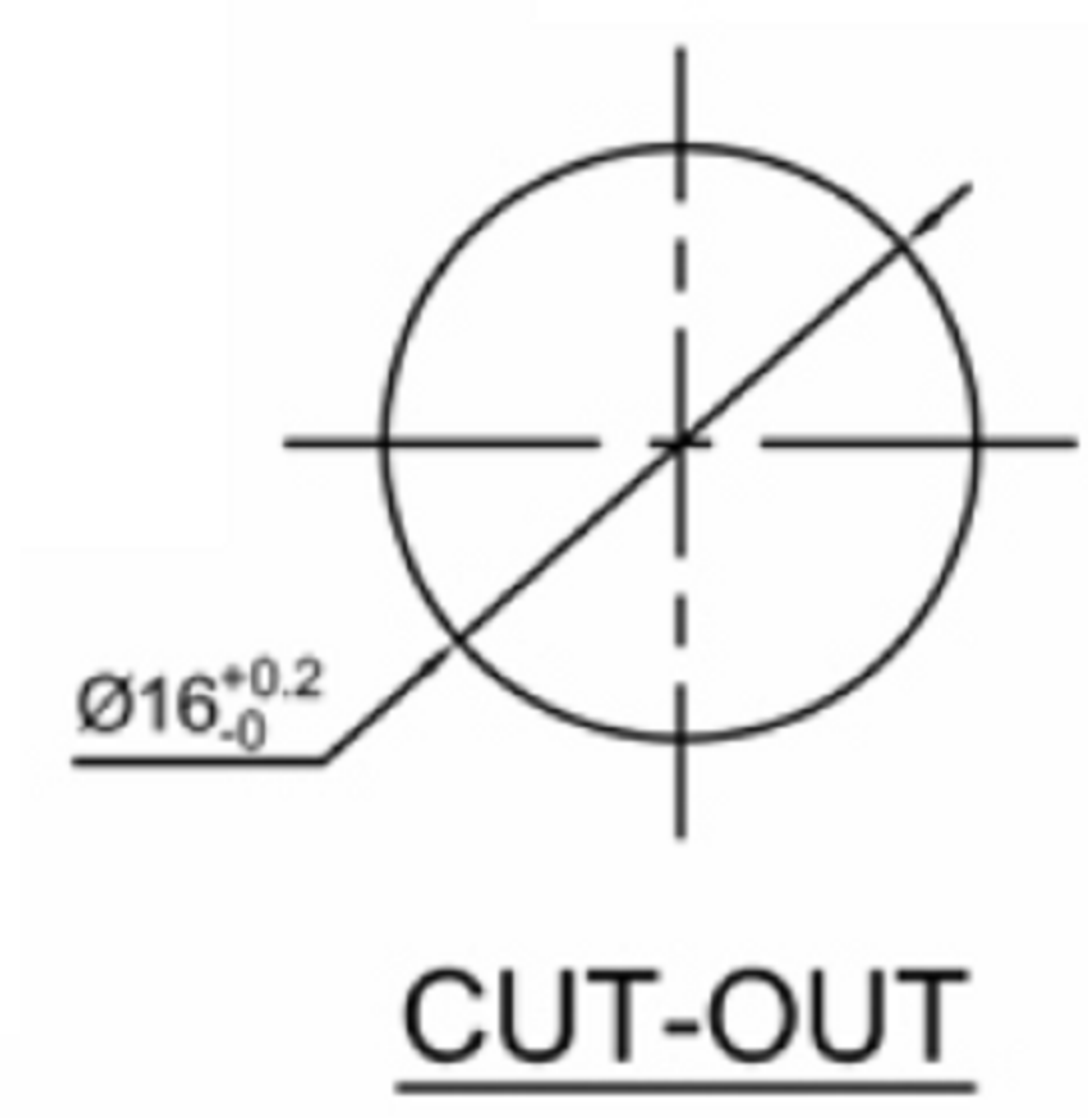
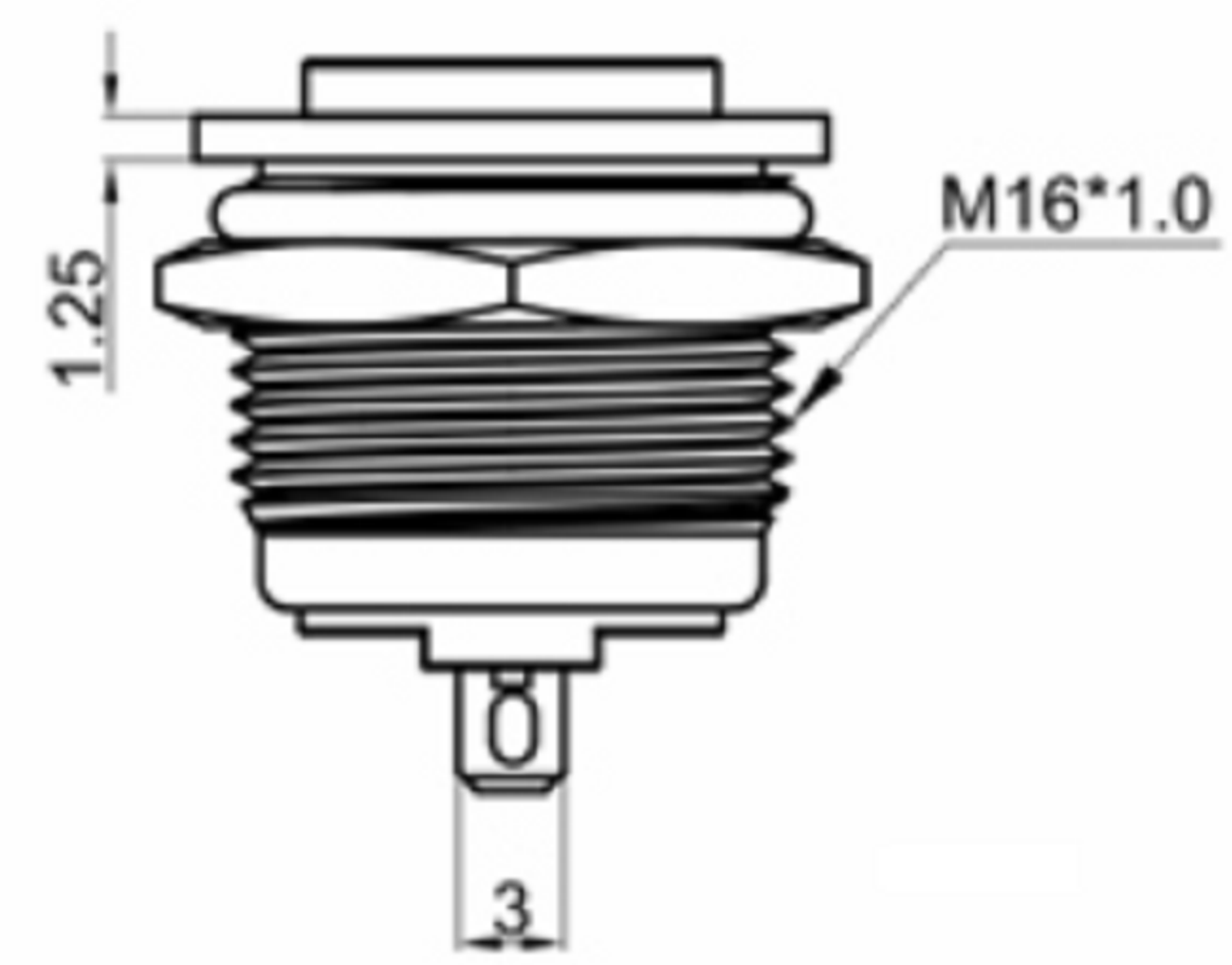
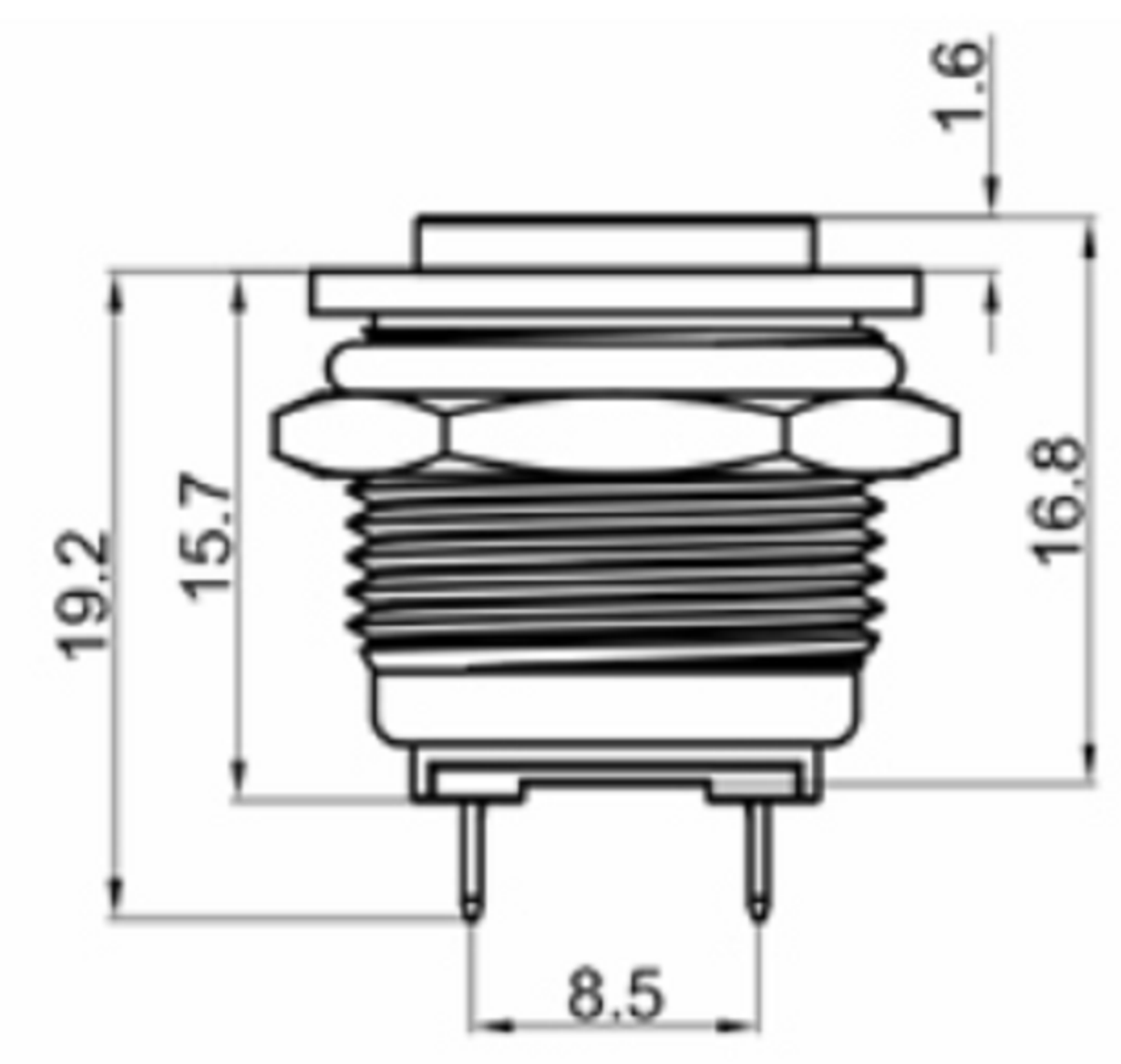


**Switch Specifications**

Rating: 6A 250VAC ;  
 2A 36VDC ;  
 Degree of protection: IP67;  
 Contact Resistance: 50mΩ Max. ;  
 Dielectric Strength: 2000VAC For 1 minute ;  
 Total Travel: 1.5± 0.5mm ;  
 Operating Force: 450± 150gf ;  
 Mechanical Life: 200,000 cycles ;  
 Load Life: 50,000 cycles ;  
 Operating Temperature: -20° C ~ 85° C ;  
 Function: OFF-(ON)



Panel Thickness: 6mm MAX.

 **广东科斯达电子科技有限公司**  
 GUANG DONG KE SI DA ELECTRONIC TECHNOLOGY CO., LTD.

TOLERANCE UNLESS OTHERWISE STATED:  
 Up to 5 ±0.2  
 Above 5 ~ 15 ±0.3  
 Above 15 ~ 30 ±0.4  
 Above 30 ~ 50 ±0.5  
 Angle ±0.3

3RD. ANGEL'S

UNITS MM

DRAWN BY:	DATE	MAT'L	TITLE	SWITCH
Jack Lu	12/27/22			
CHECKED BY:	DATE	FINISH	MODLE	TACT SWITCH WITH LED
Jacky Chen	12/27/22			
APPROVED BY:	DATE	SCALE	DWG NO.	
Tony Kao	12/27/22	1 : 1		
		SHEET NO.	PART NO.	
		1 of 1		

ITEM NO.	DESCRIPTION	DRAWN	DATE