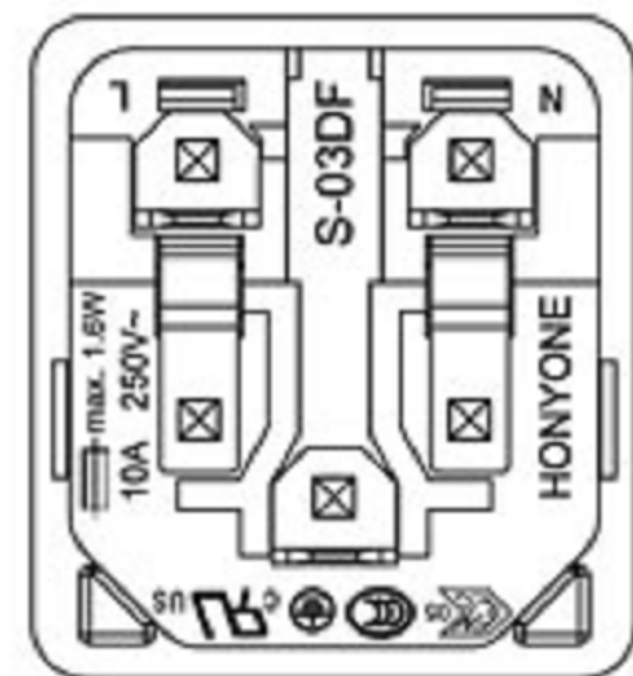


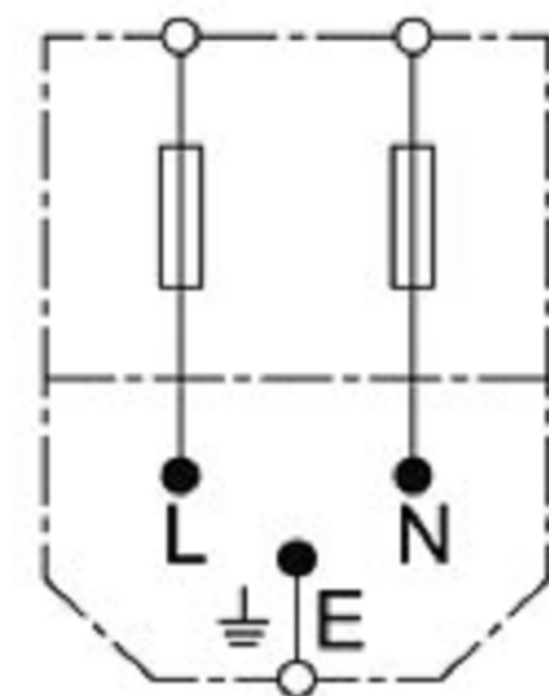
Rating: 10A 250VAC \Rightarrow max. 1.6W (UL CUL)
 10A 250VAC \Rightarrow max. 1.6W (ENEC K-MARK)
 10A 250VAC \Rightarrow max. 1.6W (CCC)

Insulation Resistance: DC 500V 100M Ω Min
 Dielectric Strength: AC 2000V 1minute
 Fuse: \varnothing 5.0x20mm

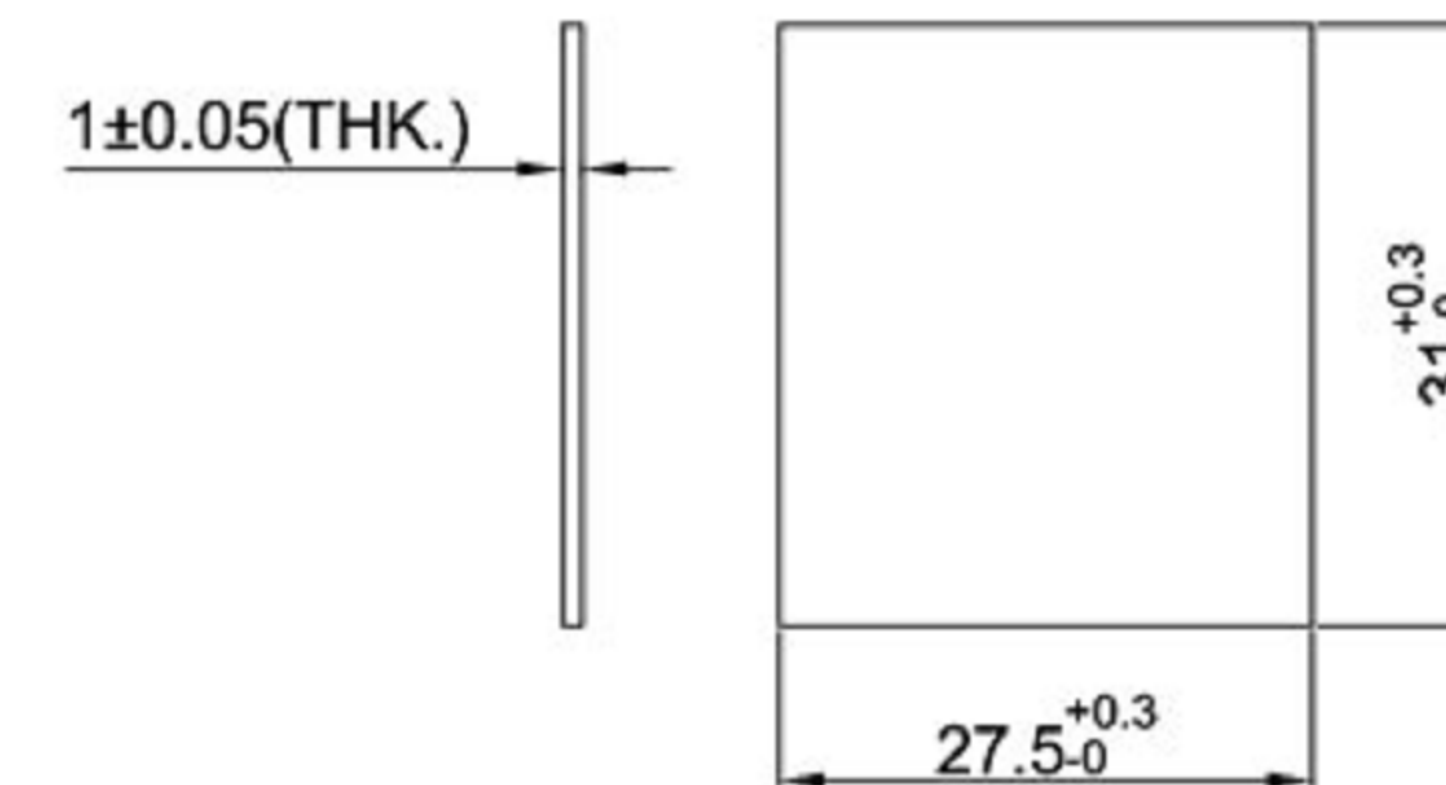
MATERIAL:
 Base: PA66, UL rated: 94 V-2 Min;
 Cap: PA66;
 Terminal: Brass, Tin plated .



Circuit Diagram



PANEL CUTOUT



广东科斯达电子科技有限公司
 GUANG DONG KE SI DA ELECTRONIC TECHNOLOGY CO., LTD.

TOLERANCE UNLESS OTHERWISE STATED:
 Up to 5 \pm 0.2
 Above 5 ~ 15 \pm 0.3
 Above 15 ~ 30 \pm 0.4
 Above 30 ~ 50 \pm 0.5
 Angle \pm 0.3

3RD. ANGEL'S

UNITS MM

DRAWN BY:	DATE	MAT'L	TITLE	SWITCH
Jack Lu	12/27/22	FINISH	MODLE	TACT SWITCH WITH LED
CHECKED BY:	DATE	SCALE	DWG NO.	SIZE
Jacky Chen	12/27/22	1 : 1	PART NO.	A4
APPROVED BY:	DATE	SHEET NO.		VER
Tony Kao	12/27/22	1 of 1		R

ITEM NO.	DESCRIPTION	DRAWN	DATE