

### Switch Specifications

Rating: 5A 250VAC ;  
2A 36VDC ;

Degree of protection: IP67;

Contact Resistance: 50mΩ Max. ;

Dielectric Strength: 1000VAC For 1 minute ;

Total Travel: 2.8± 0.5mm ;

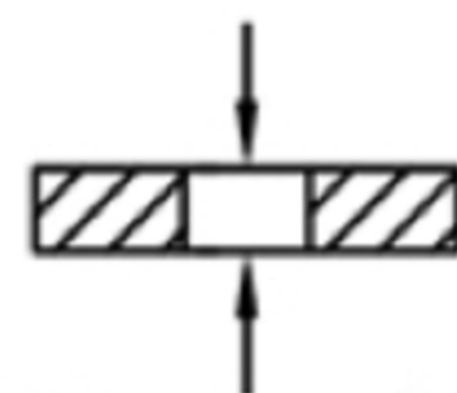
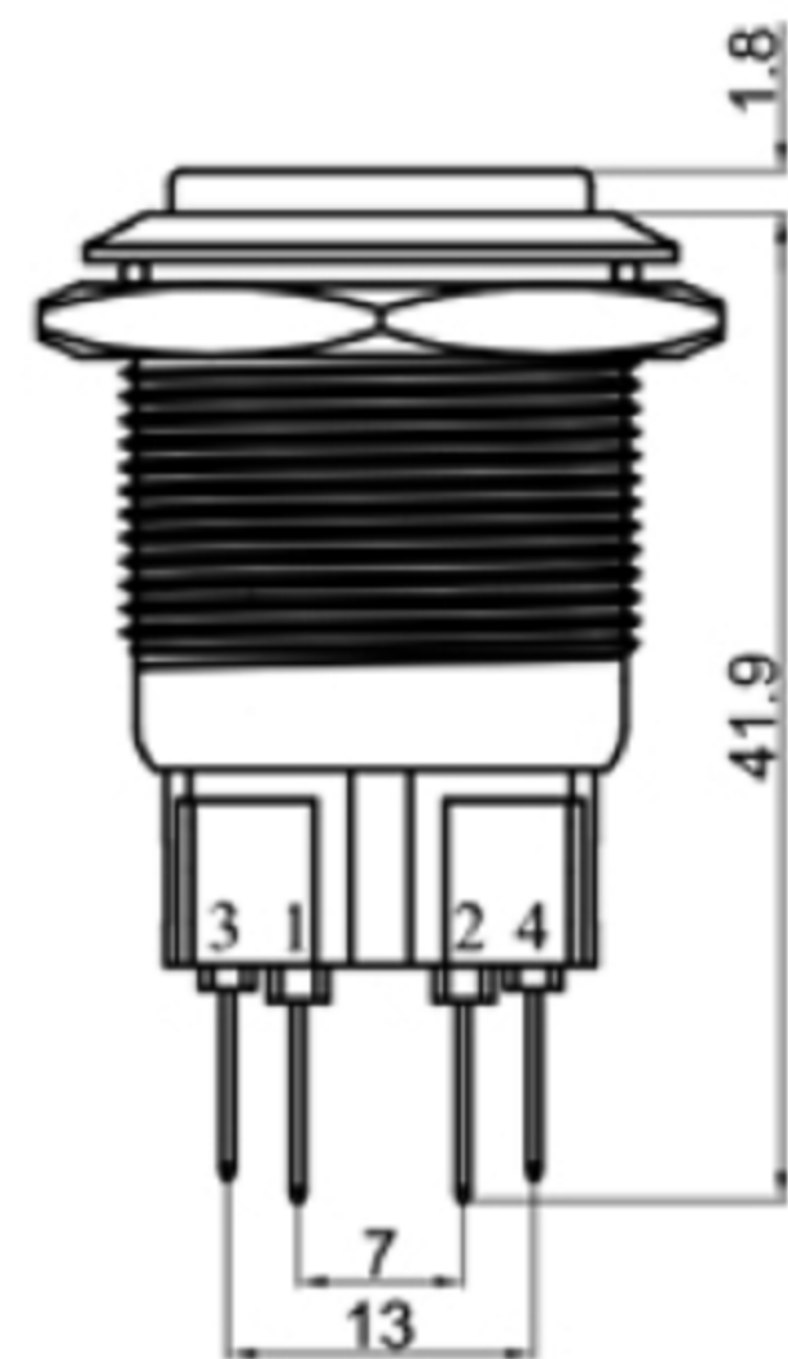
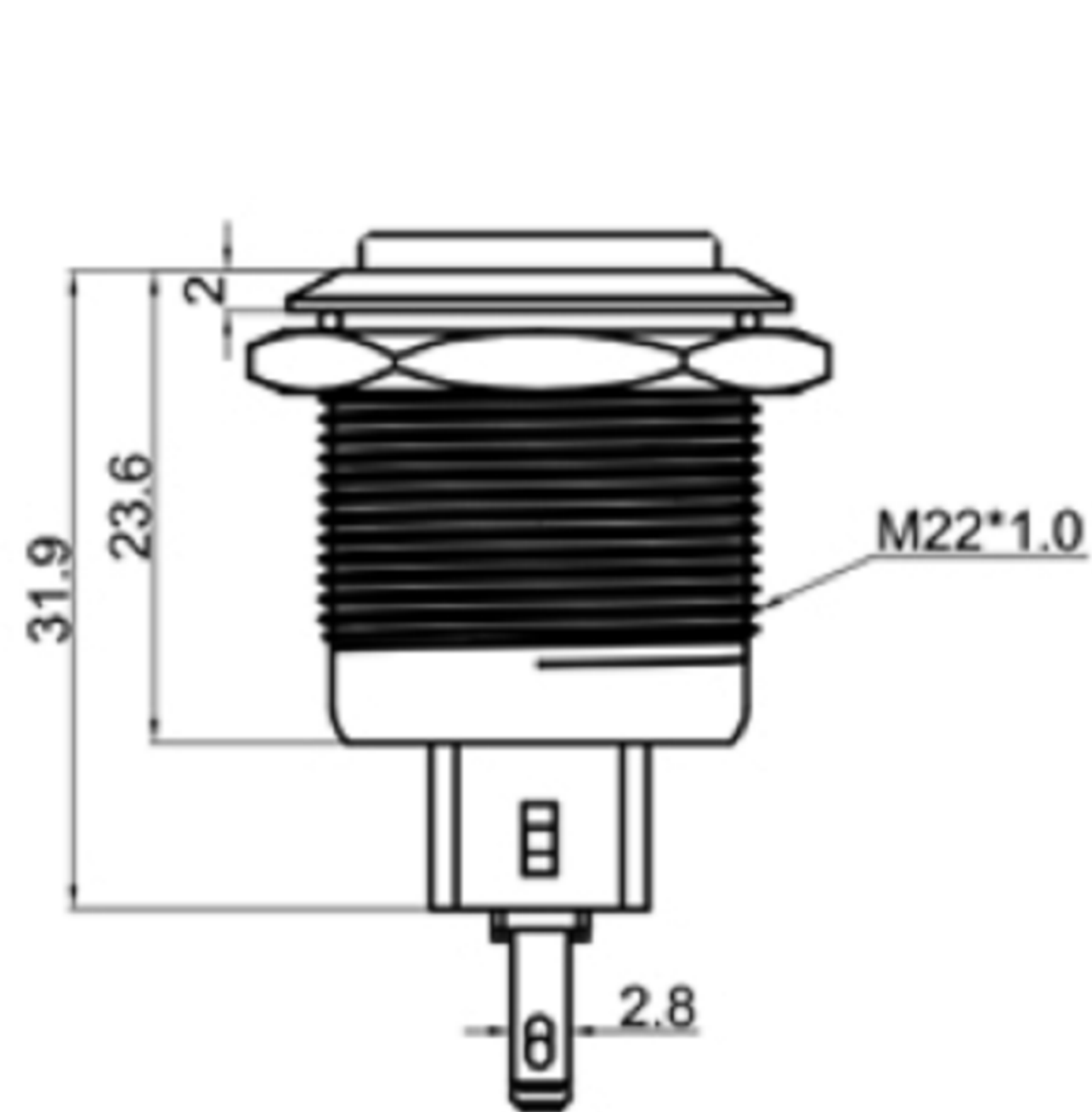
Operating Force: 600± 200gf ;

Mechanical Life: 200,000 cycles ;

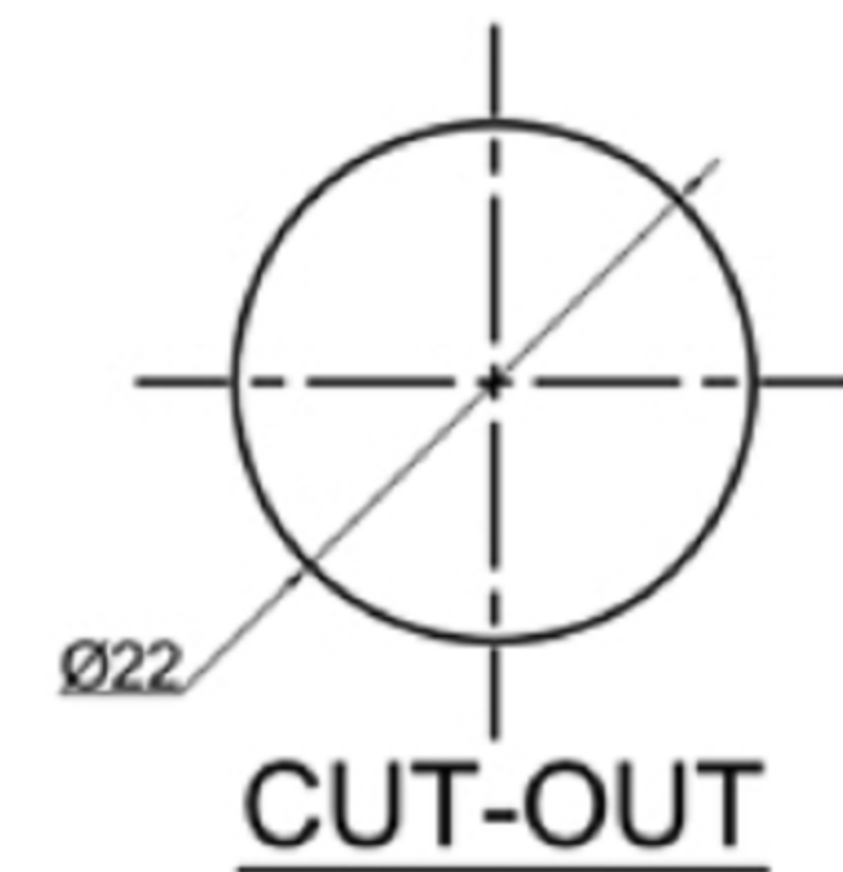
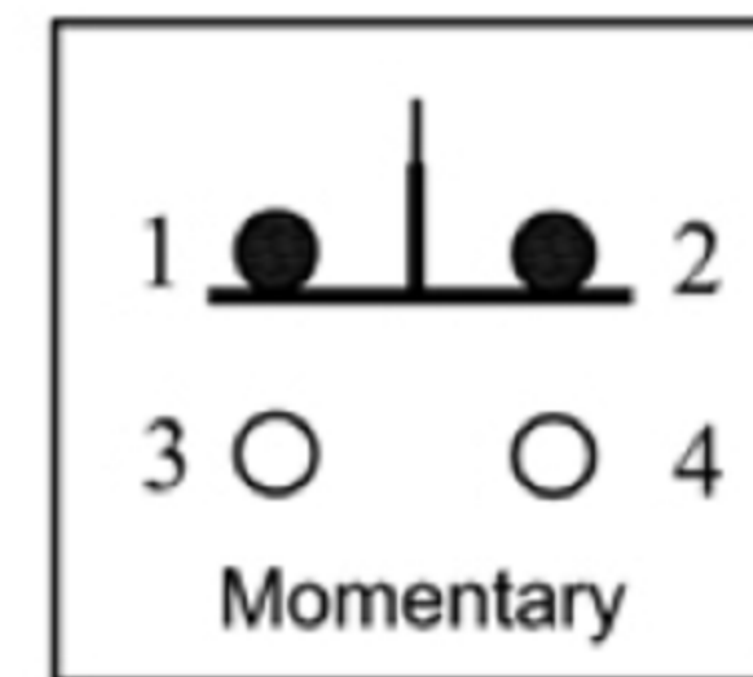
Load Life: 50,000 cycles ;

Operating Temperature: -20° C ~ 85° C ;

Function: OFF-(ON)



Panel Thickness: 10mm MAX.



 **广东科斯达电子科技有限公司**  
GUANG DONG KE SI DA ELECTRONIC TECHNOLOGY CO., LTD.

TOLERANCE UNLESS OTHERWISE STATED:  
Up to 5 ±0.2  
Above 5 ~ 15 ±0.3  
Above 15 ~ 30 ±0.4  
Above 30 ~ 50 ±0.5  
Angle ±0.3

3RD. ANGEL'S

UNITS MM

|              |          |           |          |                      |
|--------------|----------|-----------|----------|----------------------|
| DRAWN BY:    | DATE     | MAT'L     | TITLE    | SWITCH               |
| Jack Lu      | 12/27/22 |           | MODLE    | TACT SWITCH WITH LED |
| CHECKED BY:  | DATE     | FINISH    | DWG NO.  | SIZE                 |
| Jacky Chen   | 12/27/22 |           | PART NO. | A4                   |
| APPROVED BY: | DATE     | SCALE     | 1 : 1    | VER                  |
| Tony Kao     | 12/27/22 | SHEET NO. | 1 of 1   | R                    |

|          |             |       |      |
|----------|-------------|-------|------|
| ITEM NO. | DESCRIPTION | DRAWN | DATE |
|          |             |       |      |