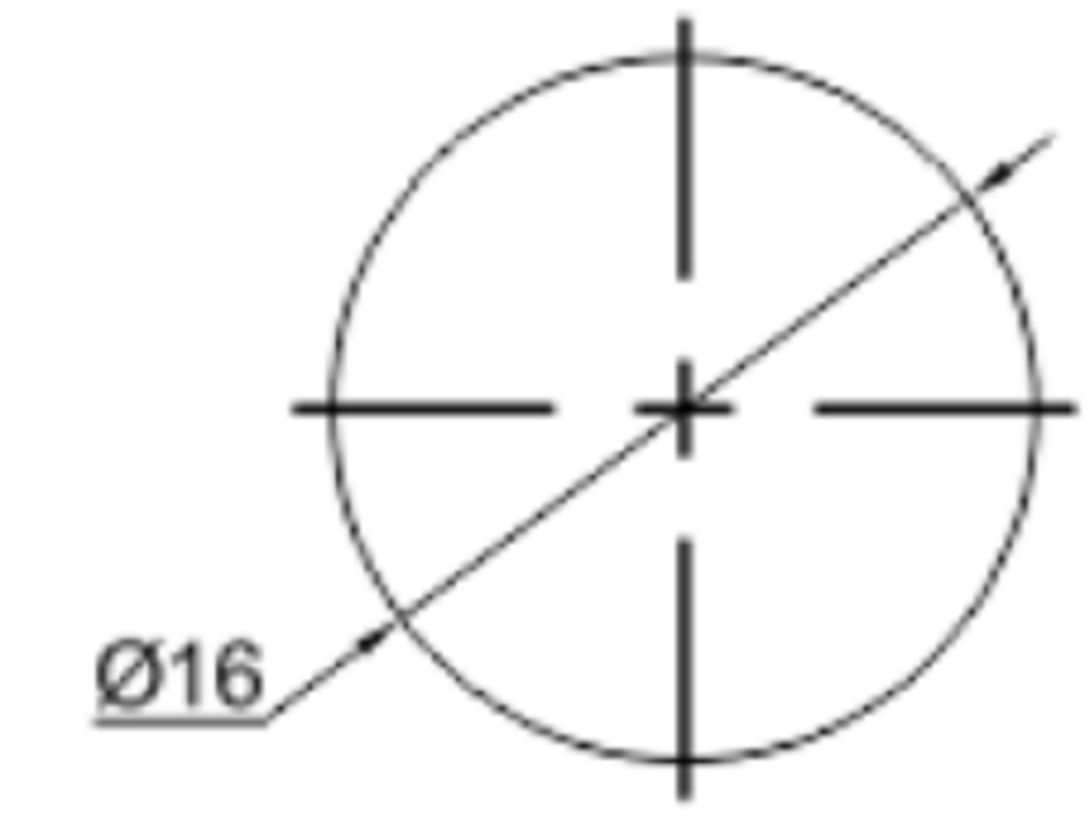
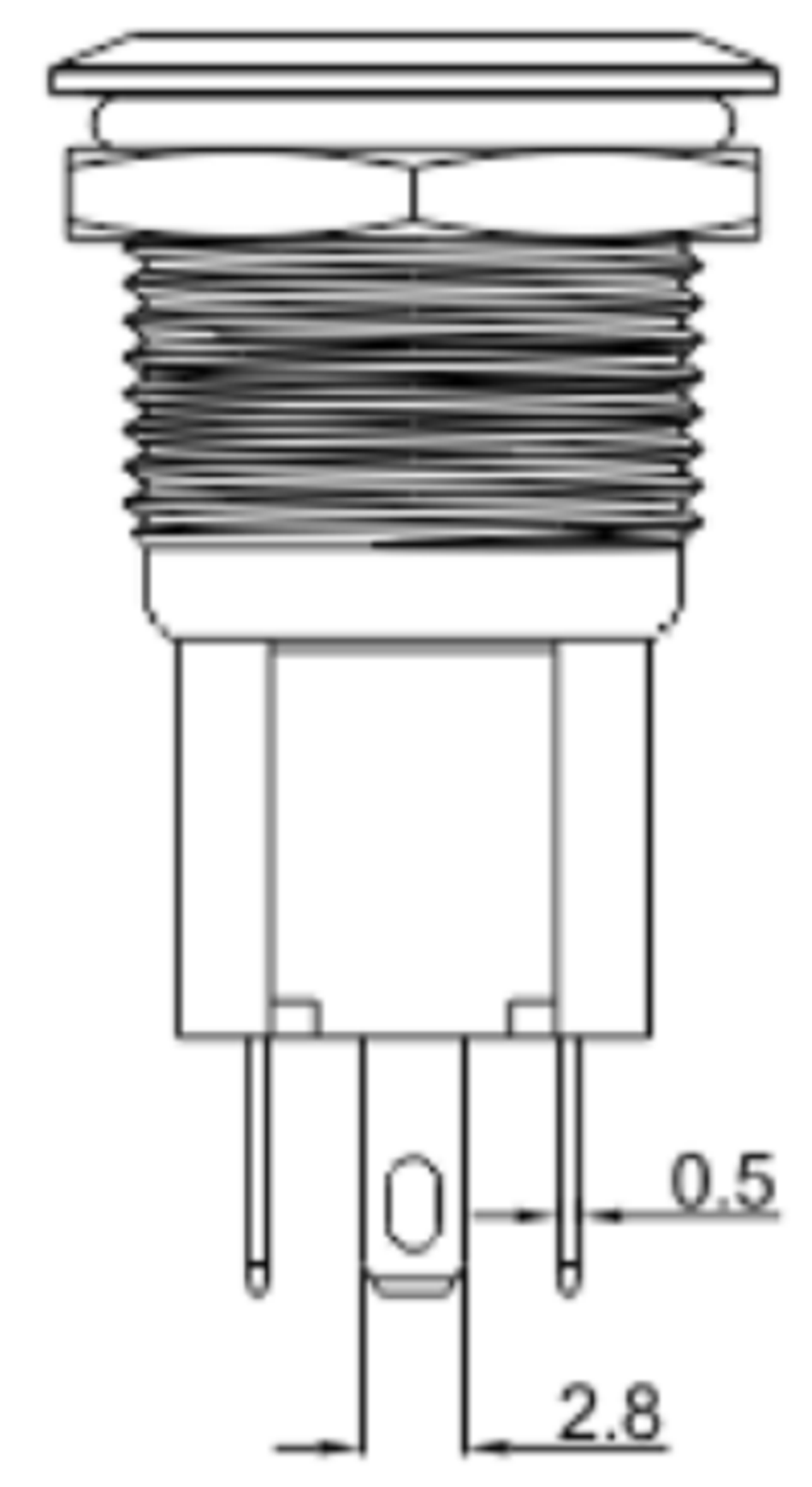
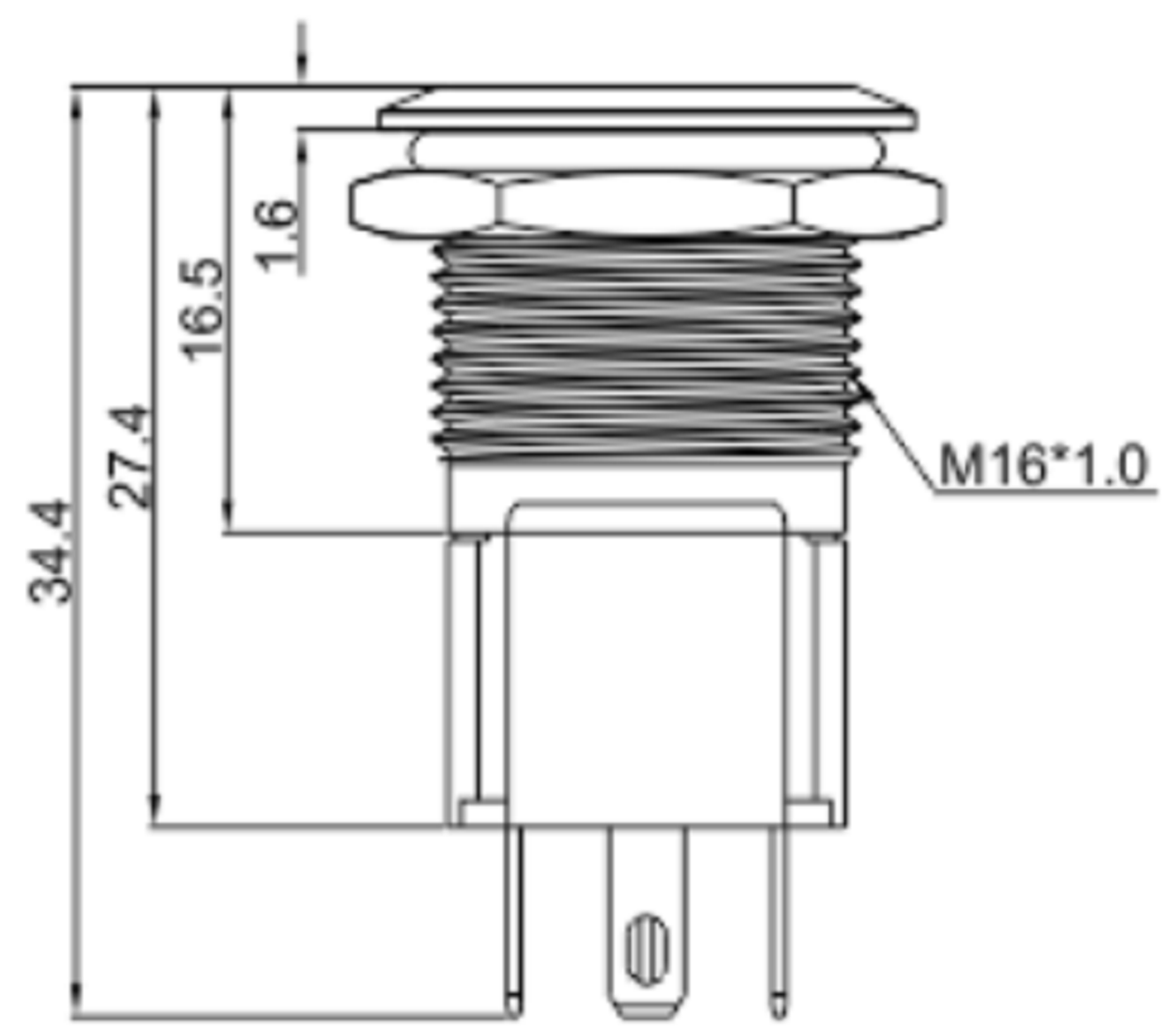


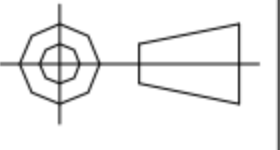
Panel Thickness: 6mm MAX



CUT-OUT



 **广东科斯达电子科技有限公司**
GUANG DONG KE SI DA ELECTRONIC TECHNOLOGY CO., LTD.

TOLERANCE UNLESS OTHERWISE STATED: Up to 5 ±0.2, Above 5 ~ 15 ±0.3, Above 15 ~ 30 ±0.4, Above 30 ~ 50 ±0.5, Angle ±0.3
 3RD. ANGEL'S  UNITS MM

| | | | | |
|--------------|----------|-----------|----------|----------------------|
| DRAWN BY: | DATE | MAT'L | TITLE | SWITCH |
| Jack Lu | 12/27/22 | | MODLE | TACT SWITCH WITH LED |
| CHECKED BY: | DATE | FINISH | DWG NO. | |
| Jacky Chen | 12/27/22 | | PART NO. | |
| APPROVED BY: | DATE | SCALE | 1 : 1 | |
| Tony Kao | 12/27/22 | SHEET NO. | 1 of 1 | |

| | | | |
|----------|-------------|-------|------|
| ITEM NO. | DESCRIPTION | DRAWN | DATE |
| | | | |

| | |
|------|----|
| SIZE | A4 |
| VER | R |