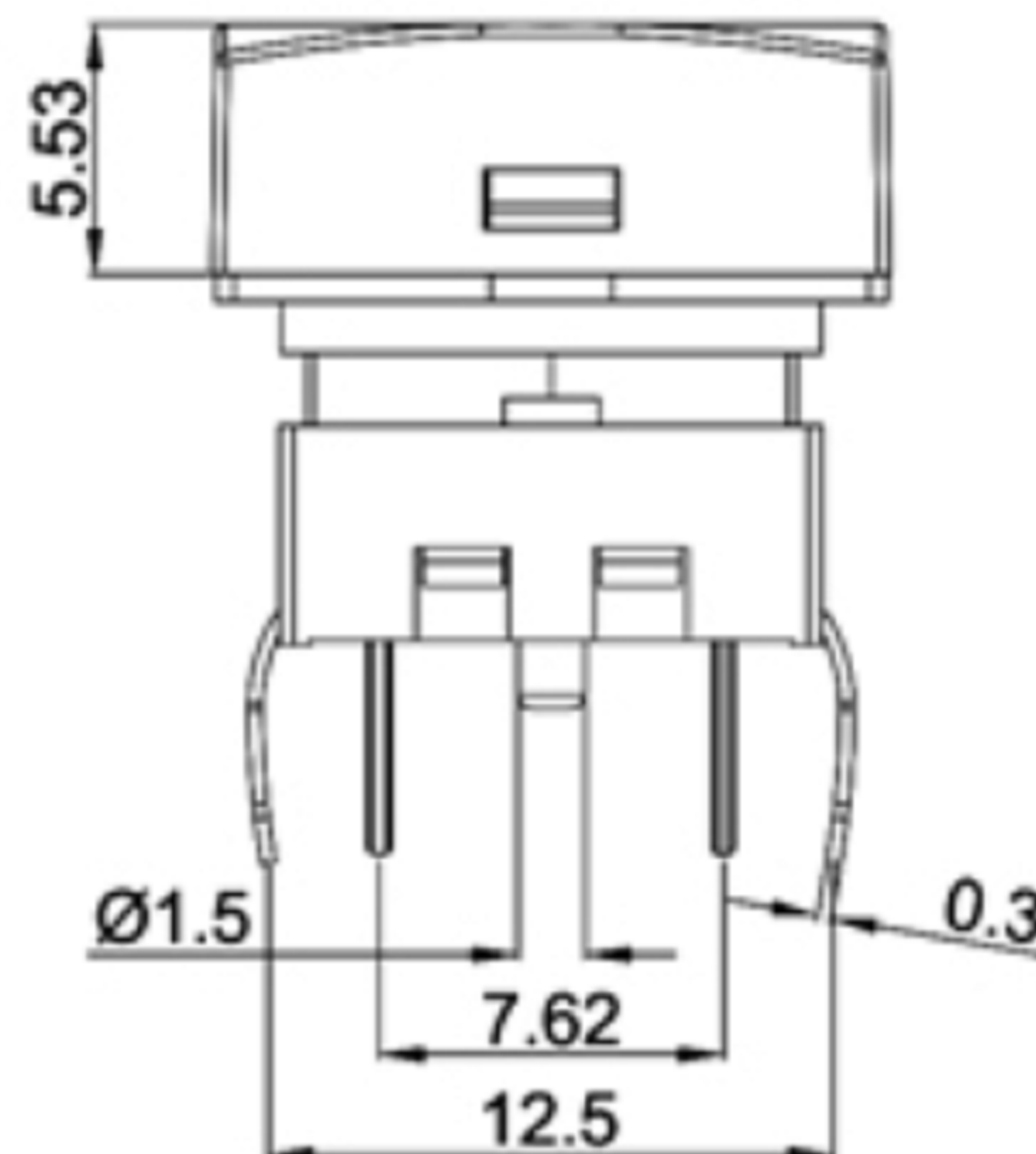
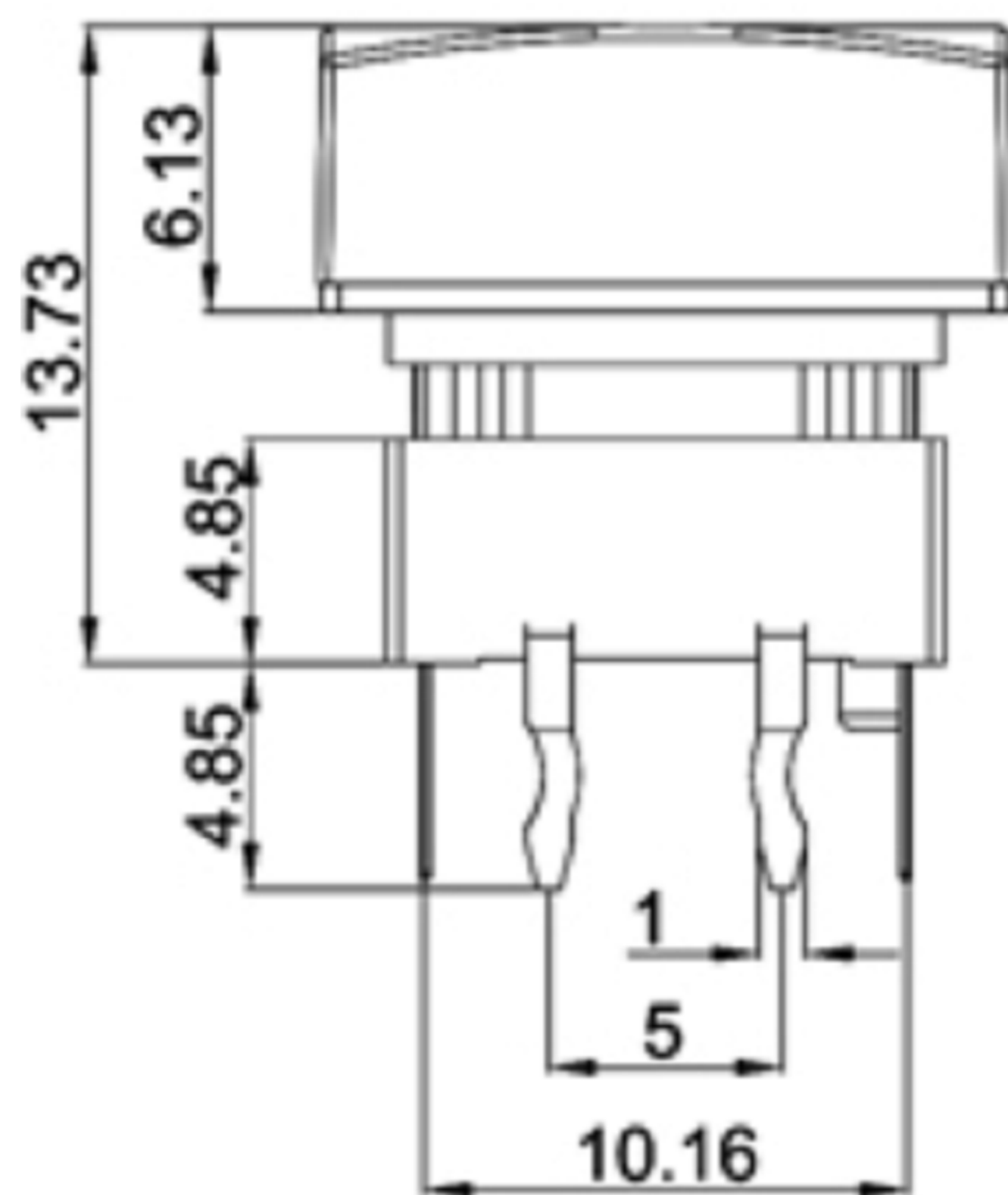
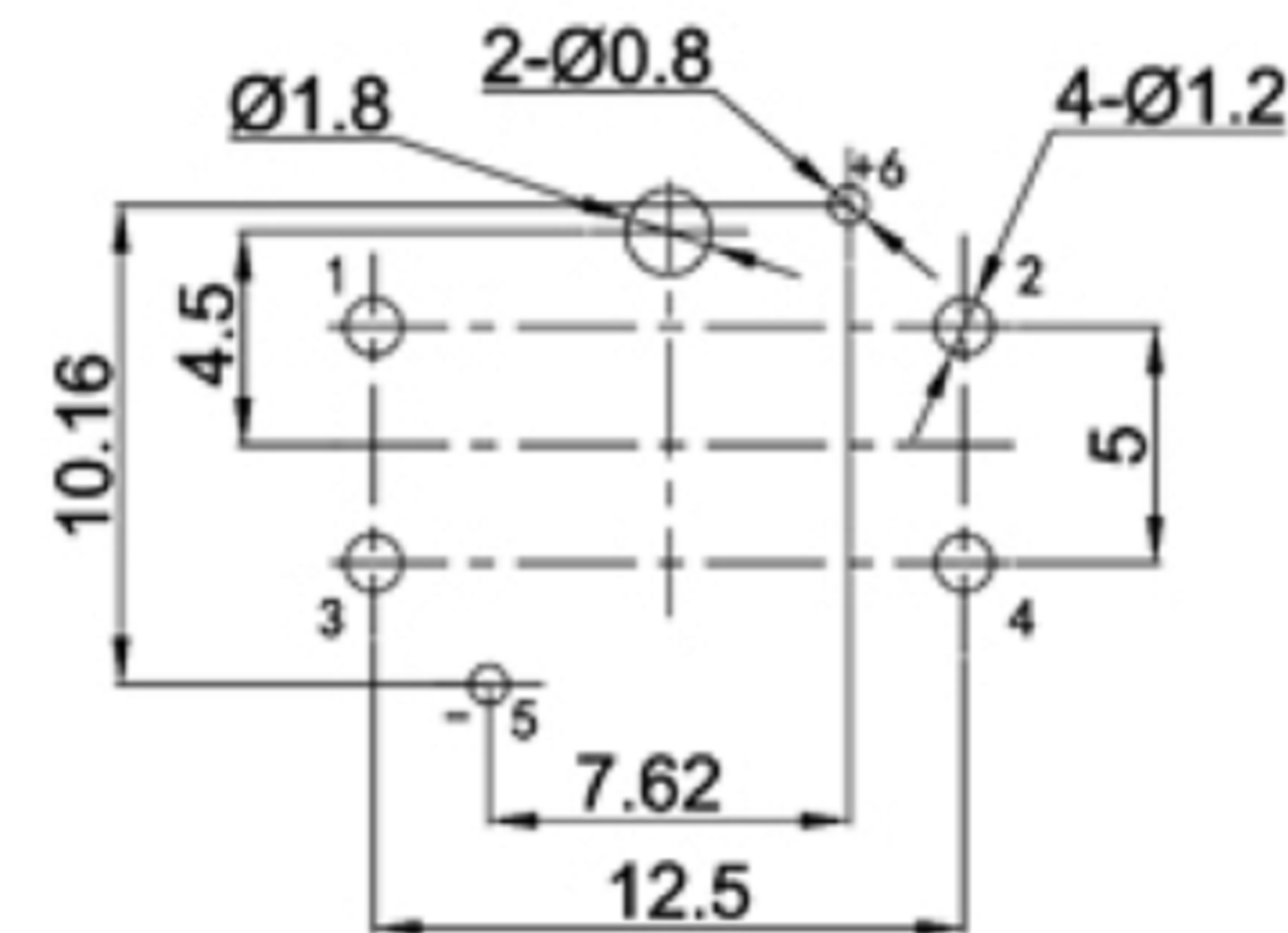
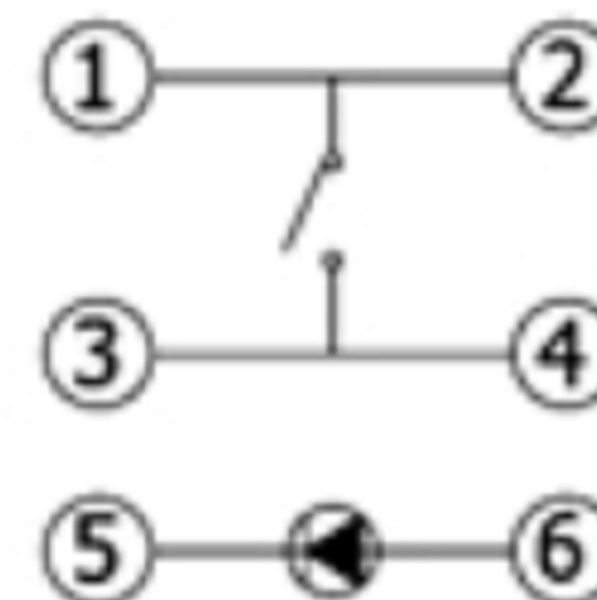


P.C.B.LAYOUT



CIRCUIT



NO.	DESCRIPTION	QTY	MATERIAL	PLATING
7	CAP	1	ABS / PC	Black
6	LED	1		
5	FIXITY	1	PA66	Black
4	CONTACT	1	PHOSPHOR BRONZE	Ag plated
3	TERMINAL	2	BRASS	Ag plated
2	CASE	1	PA66	Black
1	KNOB	1	PA66	Black/White

 **广东科斯达电子科技有限公司**  
**GUANG DONG KE SI DA ELECTRONIC TECHNOLOGY CO., LTD.**

TOLERANCE UNLESS OTHERWISE STATED: Up to 5 ±0.2, Above 5 ~ 15 ±0.3, Above 15 ~ 30 ±0.4, Above 30 ~ 50 ±0.5, Angle ±0.3  
 3RD. ANGEL'S  
 UNITS MM

DRAWN BY:	DATE	MAT'L	TITLE	SWITCH
Jack Lu	12/27/22	FINISH	MODLE	TACT SWITCH WITH LED
CHECKED BY:	DATE	SCALE	DWG NO.	SIZE
Jacky Chen	12/27/22	1 : 1	PART NO.	A4
APPROVED BY:	DATE	SHEET NO.		VER
Tony Kao	12/27/22	1 of 1		R

ITEM NO.	DESCRIPTION	DRAWN	DATE