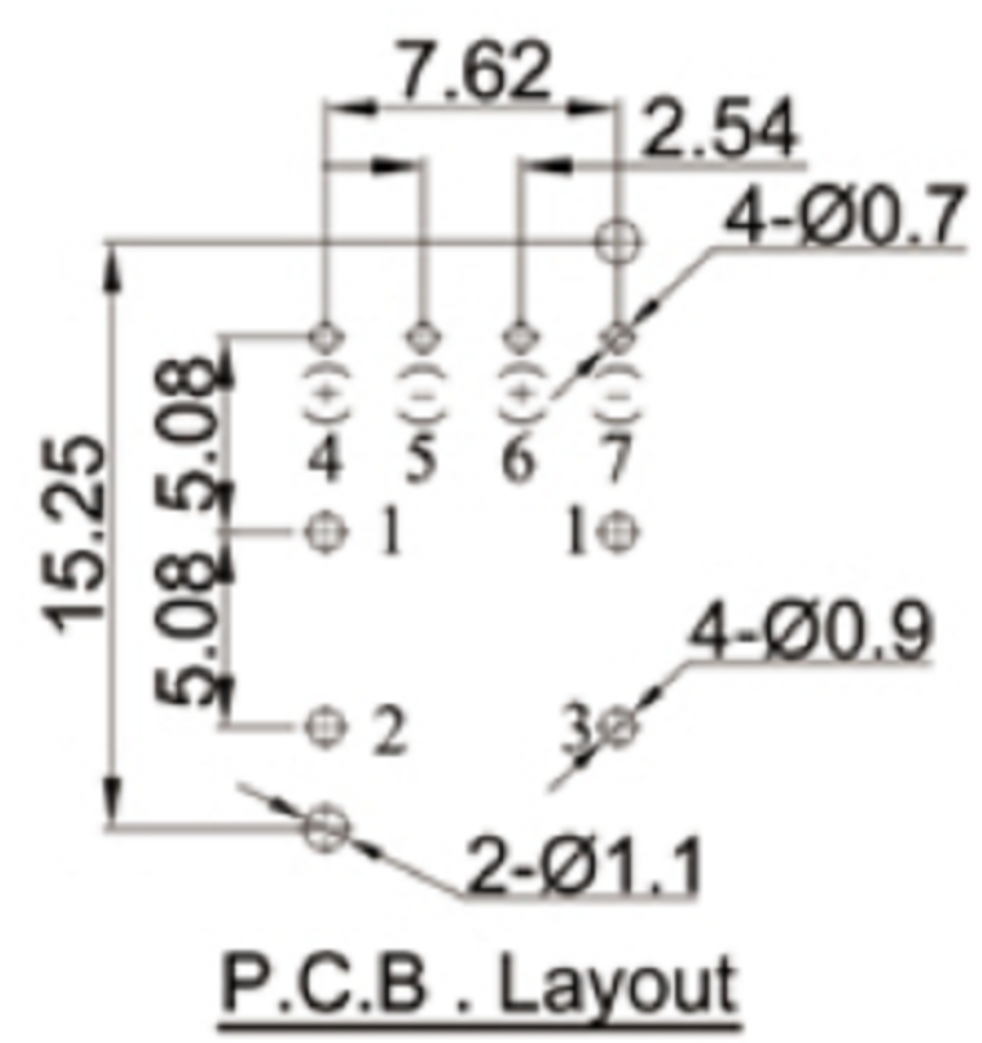
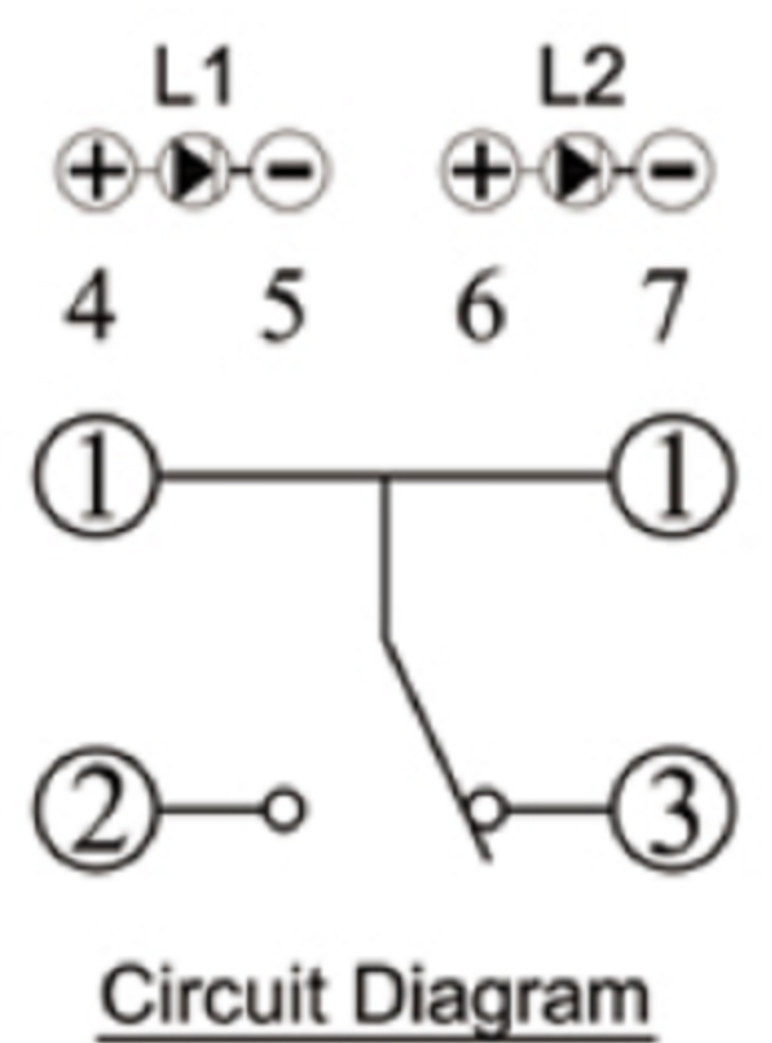
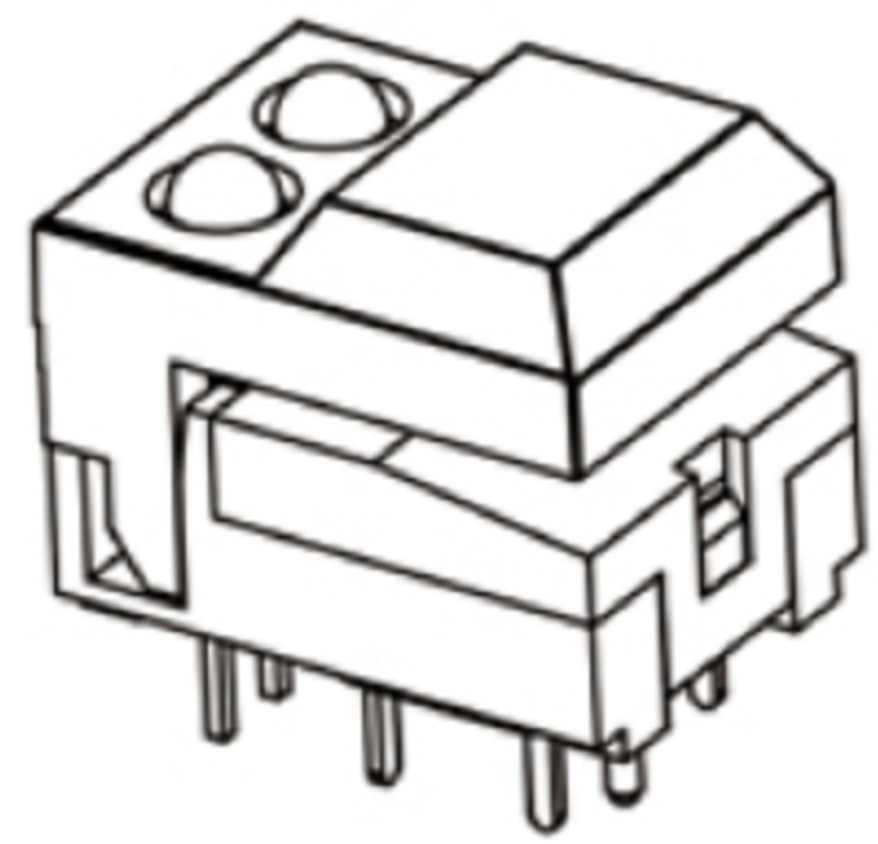


CAP STYLES



广东科斯达电子科技有限公司
GUANG DONG KE SI DA ELECTRONIC TECHNOLOGY CO., LTD.

TOLERANCE UNLESS OTHERWISE STATED:
 Up to 5 ±0.2
 Above 5 ~ 15 ±0.3
 Above 15 ~ 30 ±0.4
 Above 30 ~ 50 ±0.5
 Angle ±0.3

3RD. ANGEL'S

UNITS MM

DRAWN BY: Jack Lu
 CHECKED BY: Jacky Chen
 APPROVED BY: Tony Kao

DATE: 12/27/22
 DATE: 12/27/22
 DATE: 12/27/22

MAT'L	TITLE	SWITCH
FINISH	MODLE	TACT SWITCH WITH LED
SCALE	DWG NO.	
SHEET NO.	PART NO.	
1 : 1		
1 of 1		

ITEM NO.	DESCRIPTION	DRAWN	DATE

SIZE A4
 VER R