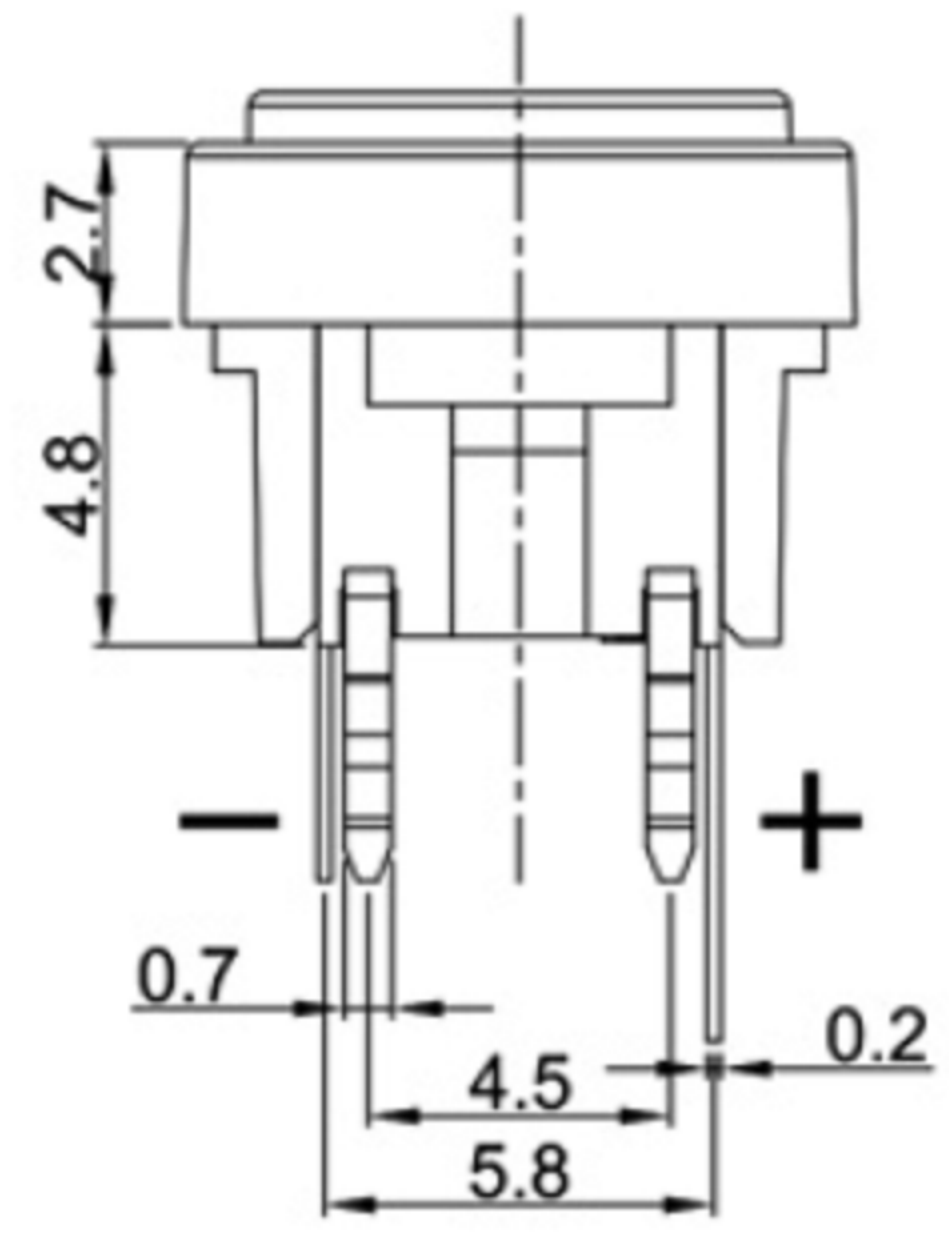
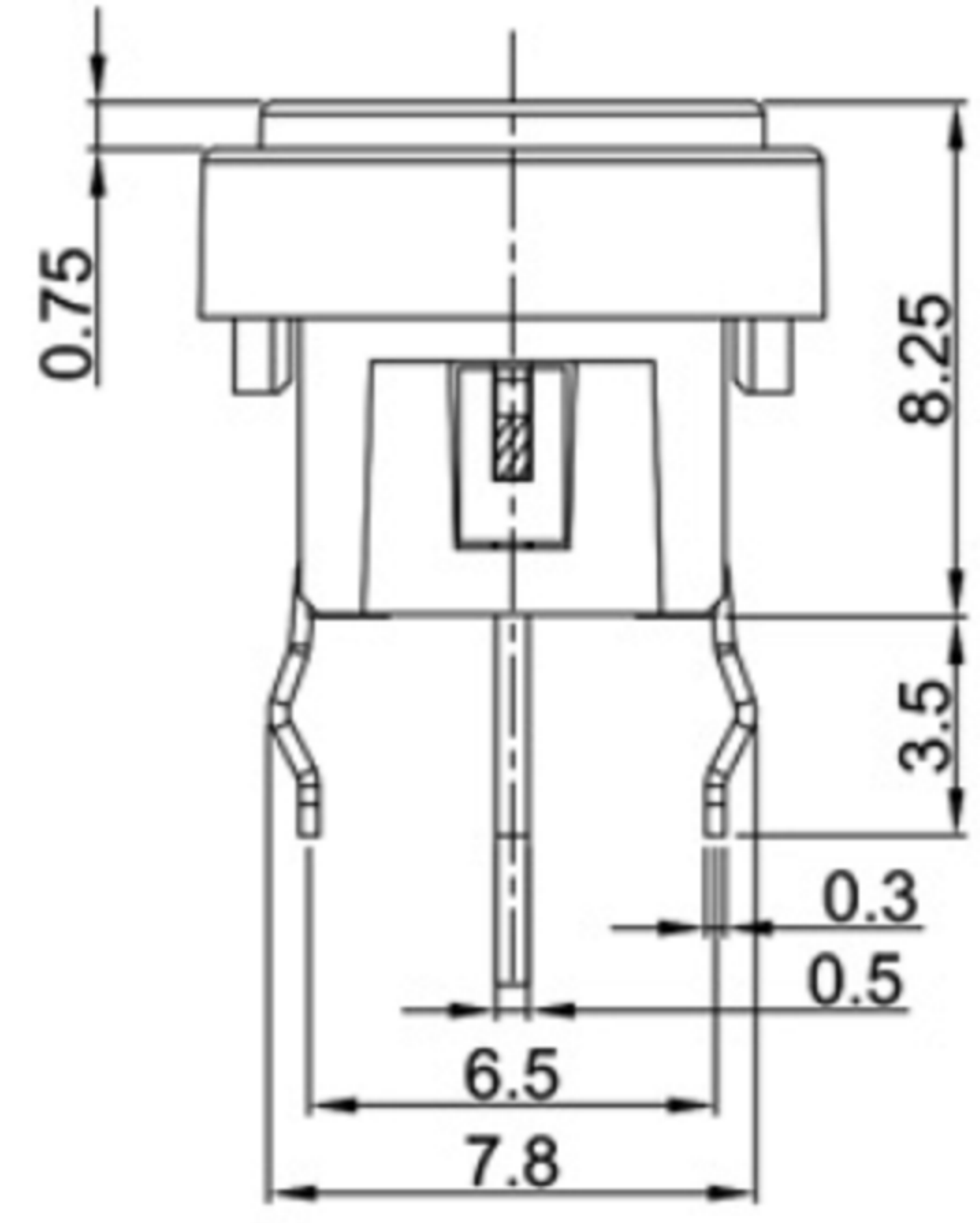


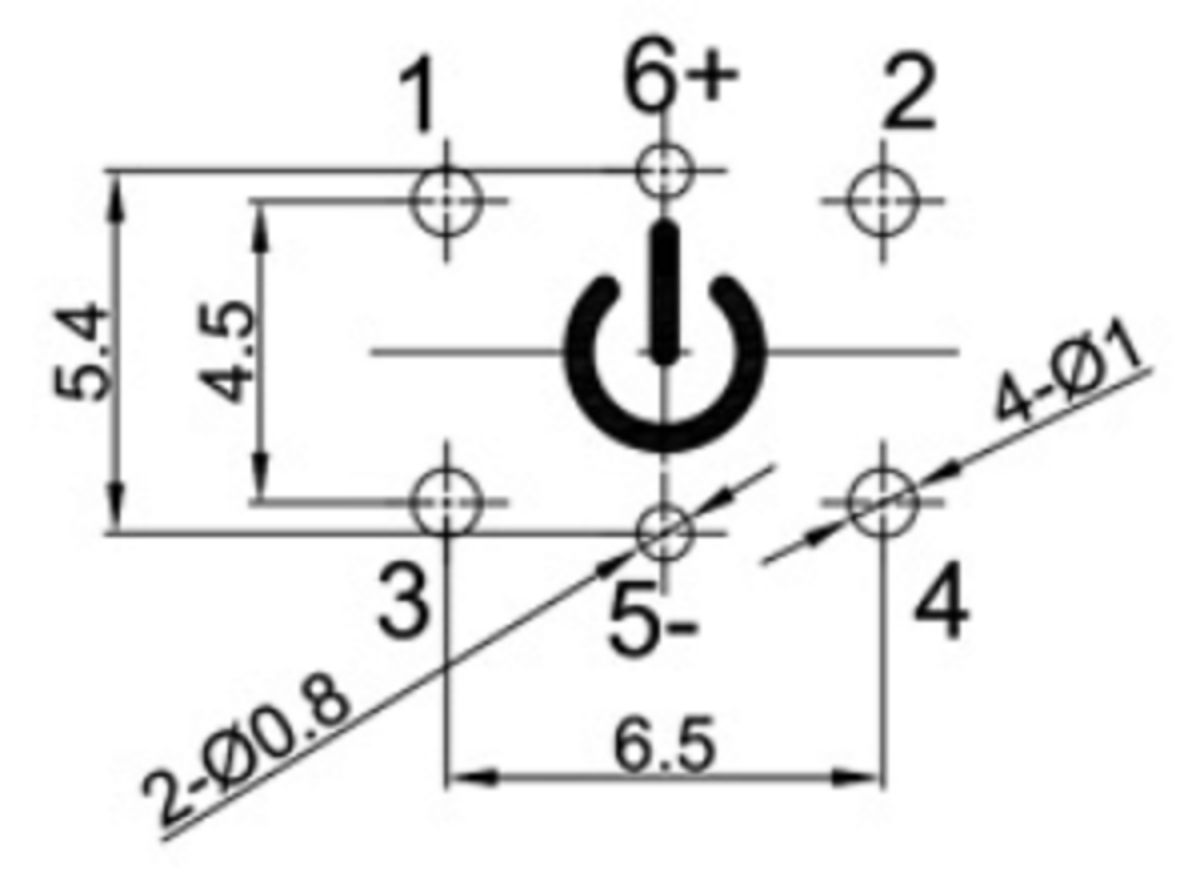
LED Specifications					
W	白色	2.8	3.4	3.8	20
O	橙色	1.8	2.2	2.4	20
RU	蓝色	2.8	3.2	3.4	20
	红色	1.8	2.2	2.4	20
U	蓝色	2.8	3.2	3.4	20
G	黄绿色	1.8	2.2	2.4	20
Y	黄色	1.8	2.2	2.4	20
R	红色	1.8	2.2	2.4	20
灯发光颜色 X Emitted color X		最小	一般	最大	最大操作电流 (mA)
		顺向电压(V)			

Switch Specifications
Circuit
Current rating
Voltage rating
Dielectric withstanding voltage
Contact resistance
Insulation resistance
Operating force
Total travel
Operating life
Solder specifications
Function
Operating temperature
Welding method

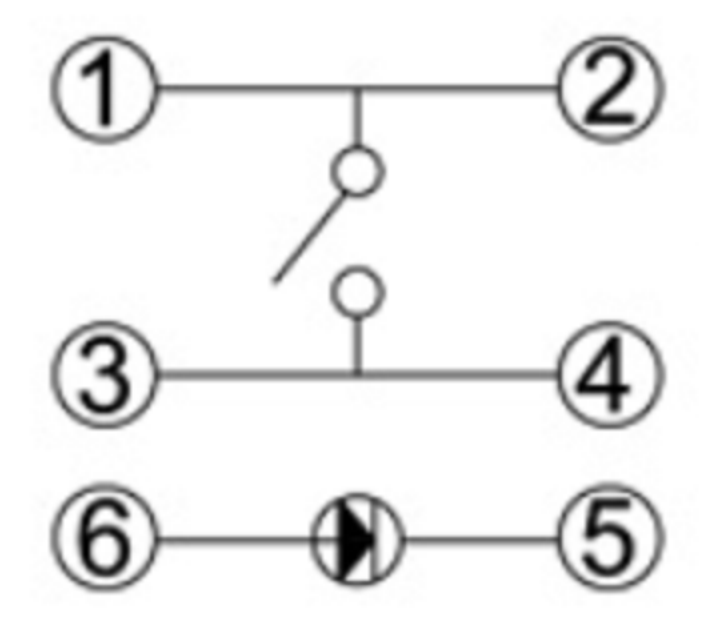
:SPST
:50mA
:12VDC
:250VAC for 1 minute
:30mΩ Max. (Initial)
:100MΩ Min.
:180±50gf
:0.25mm±0.1mm
:100,000 cycles Min
:256°C for 5 seconds
:Momentary
:-20°C ~ +70°C
:Manual Soldering
(350°C±5°C,3s±0.5s)



P.C.B. LAYOUT



CIRCUIT



NO.	DESCRIPTION	QTY	MATERIAL	PLATING
7	CAP	1	ABS / PC	Black
6	LED	1		
5	FIXITY	1	PA66	Black
4	CONTACT	1	PHOSPHOR BRONZE	Ag plated
3	TERMINAL	2	BRASS	Ag plated
2	CASE	1	PA66	Black
1	KNOB	1	PA66	Black/White

广东科斯达电子科技有限公司
GUANG DONG KE SI DA ELECTRONIC TECHNOLOGY CO., LTD.

TOLERANCE UNLESS OTHERWISE STATED:
Up to 5 ±0.2
Above 5 ~ 15 ±0.3
Above 15 ~ 30 ±0.4
Above 30 ~ 50 ±0.5
Angle ±0.3

3RD. ANGEL'S

UNITS MM

DRAWN BY: Jack Lu DATE: 12/27/22
CHECKED BY: Jacky Chen DATE: 12/27/22
APPROVED BY: Tony Kao DATE: 12/27/22

MAT'L
FINISH
SCALE: 1:1
SHEET NO.: 1 of 1

TITLE: SWITCH
MODLE: TACT SWITCH WITH LED
DWG NO.
PART NO.

SIZE: A4
VER: R

ITEM NO.	DESCRIPTION	DRAWN	DATE