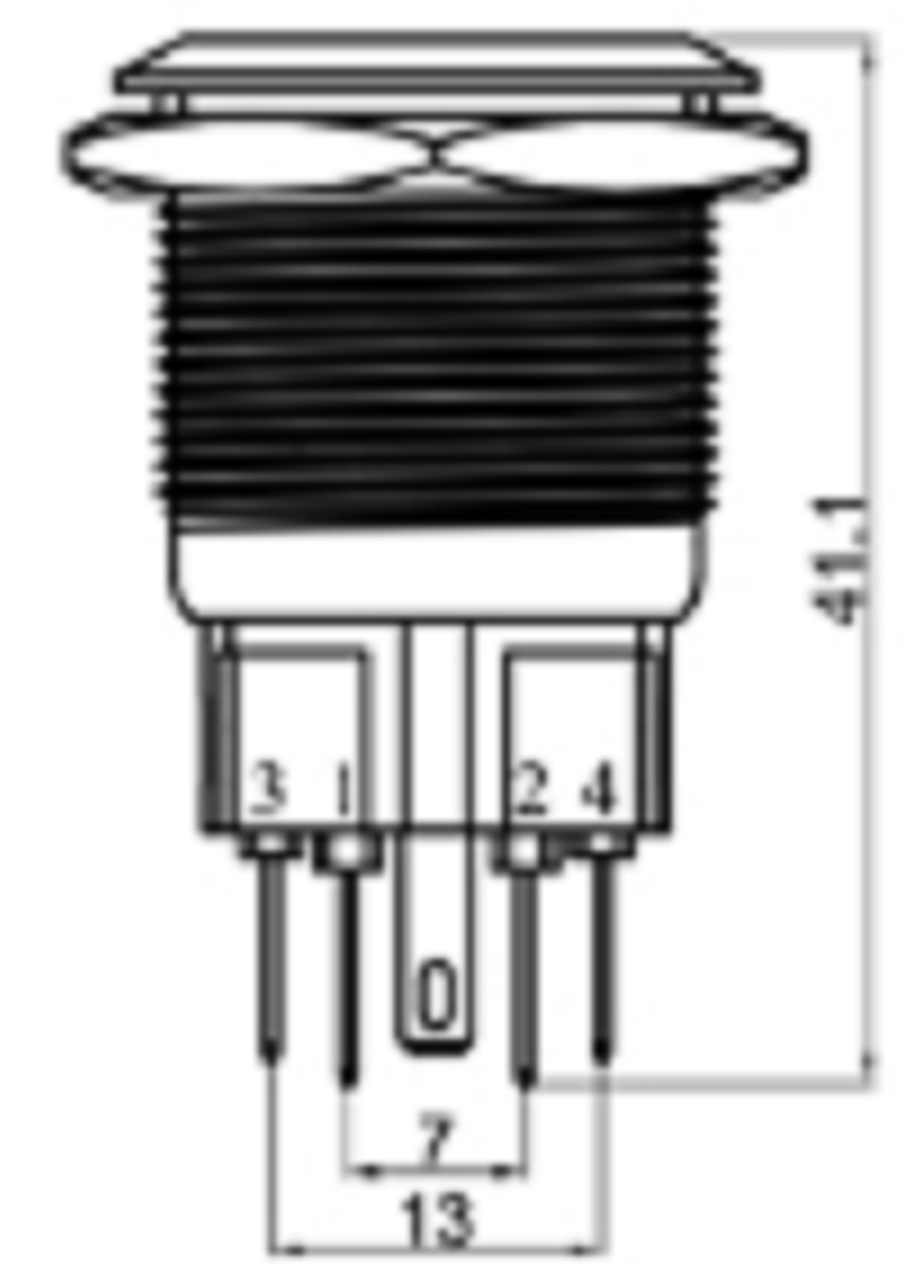
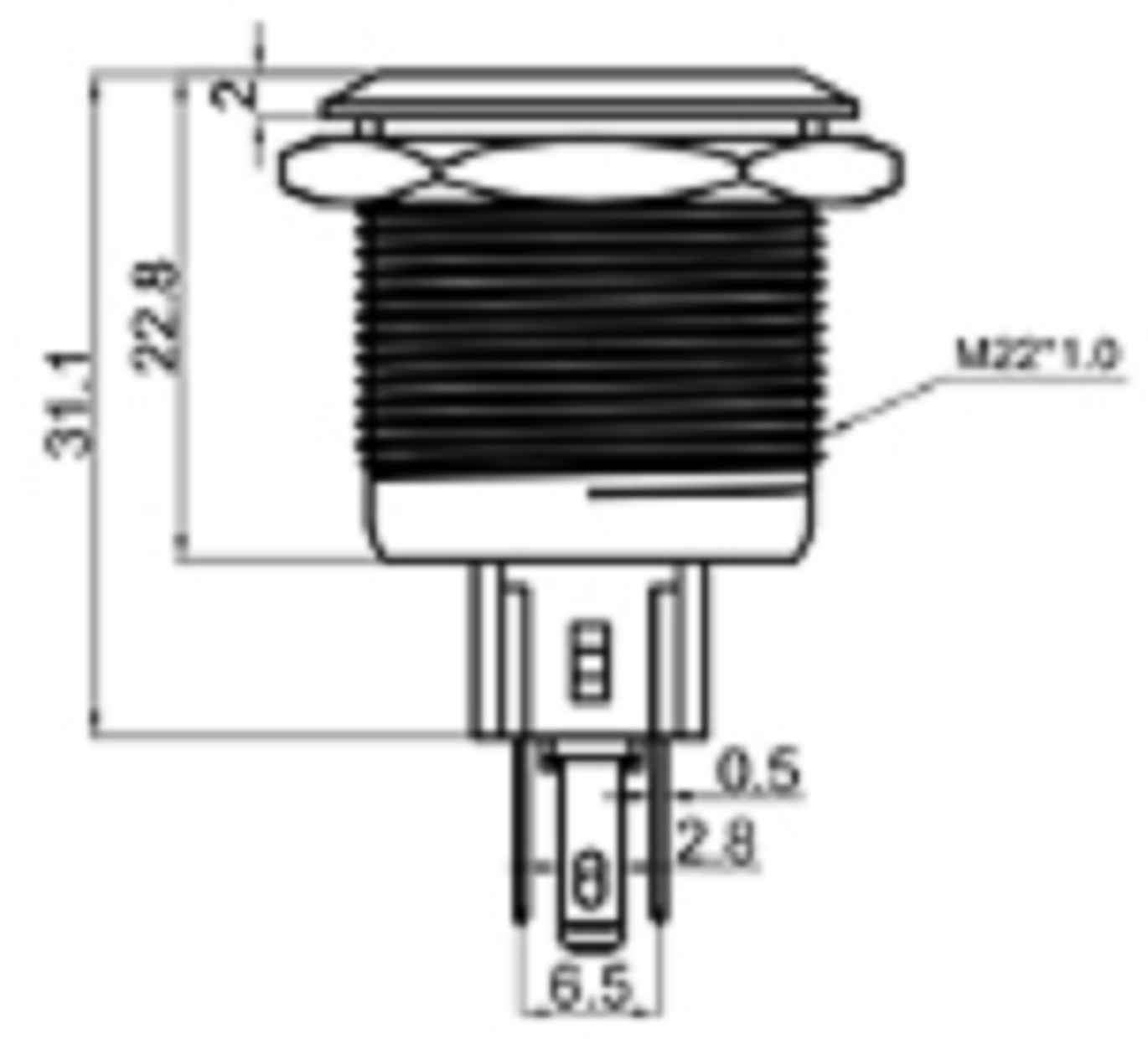
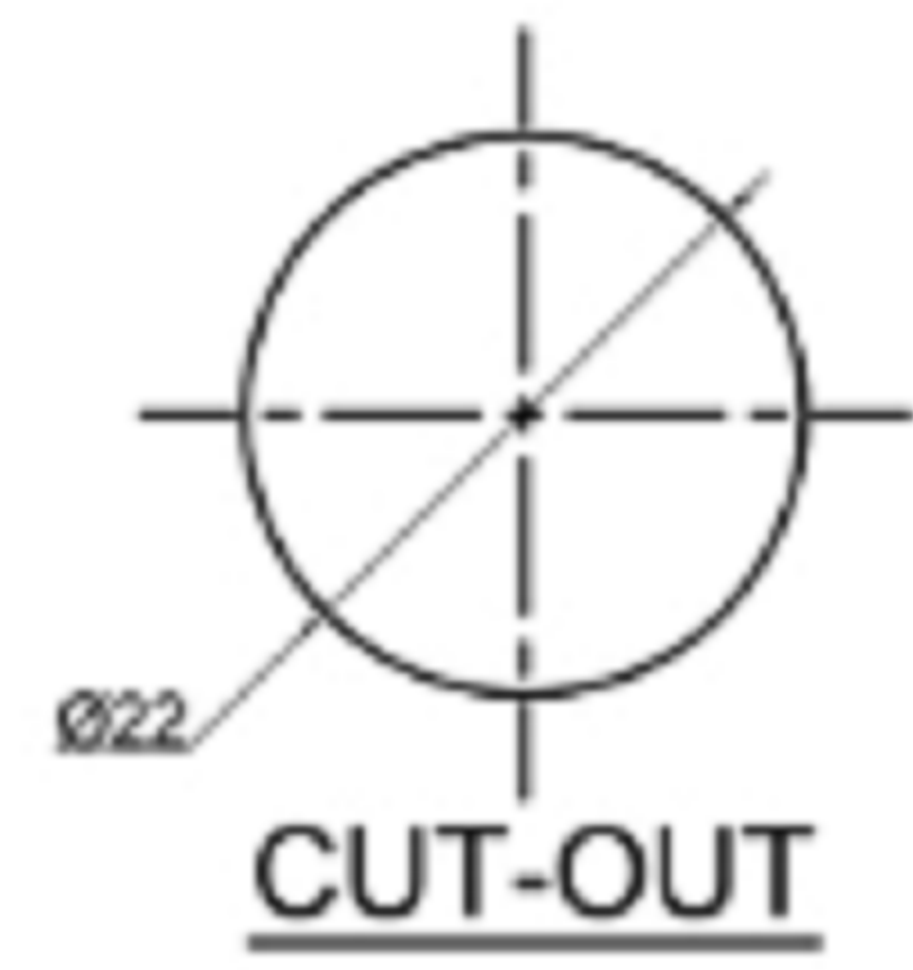
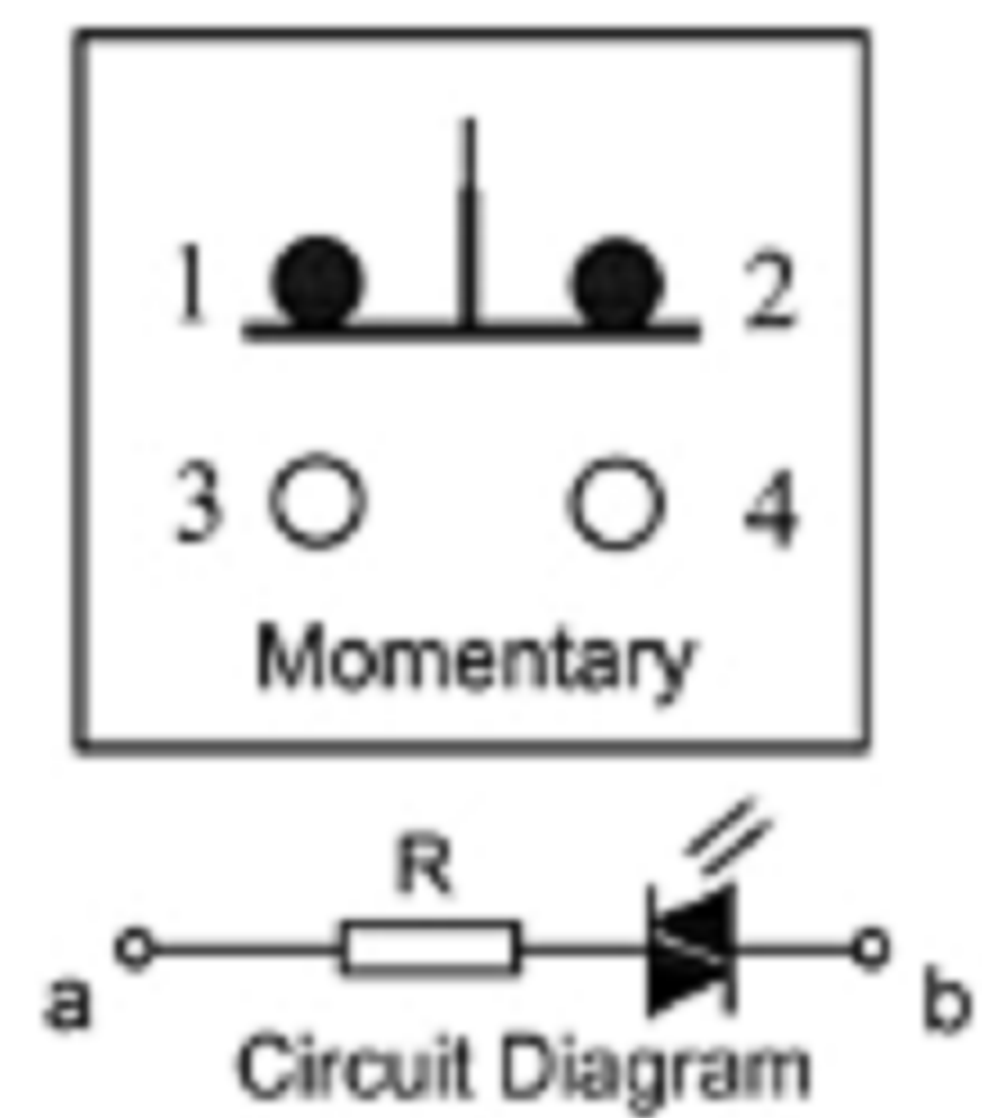




Switch Specifications
 Rating: 5A 250VAC ;
 2A 36VDC ;
 Degree of protection: IP67;
 Contact Resistance: 50mΩ Max. ;
 Dielectric Strength: 1000VAC For 1 minute ;
 Total Travel: 2.8± 0.5mm ;
 Operating Force: 600± 200gf ;
 Mechanical Life: 200,000 cycles ;
 Load Life: 50,000 cycles ;
 Operating Temperature: -20° C ~ 85° C ;
 Function: OFF-(ON)



Panel Thickness: 10mm MAX.



 **广东科斯达电子科技有限公司**
 GUANG DONG KE SI DA ELECTRONIC TECHNOLOGY CO., LTD.

TOLERANCE UNLESS OTHERWISE STATED:
 Up to 5 ±0.2
 Above 5 ~ 15 ±0.3
 Above 15 ~ 30 ±0.4
 Above 30 ~ 50 ±0.5
 Angle ±0.3

3RD. ANGEL'S

UNITS MM

DRAWN BY:	DATE	MAT'L	TITLE	SWITCH
Jack Lu	12/27/22			
CHECKED BY:	DATE	FINISH	MODLE	TACT SWITCH WITH LED
Jacky Chen	12/27/22			
APPROVED BY:	DATE	SCALE	DWG NO.	SIZE
Tony Kao	12/27/22	1 : 1		A4
		SHEET NO.	PART NO.	VER
		1 of 1		R