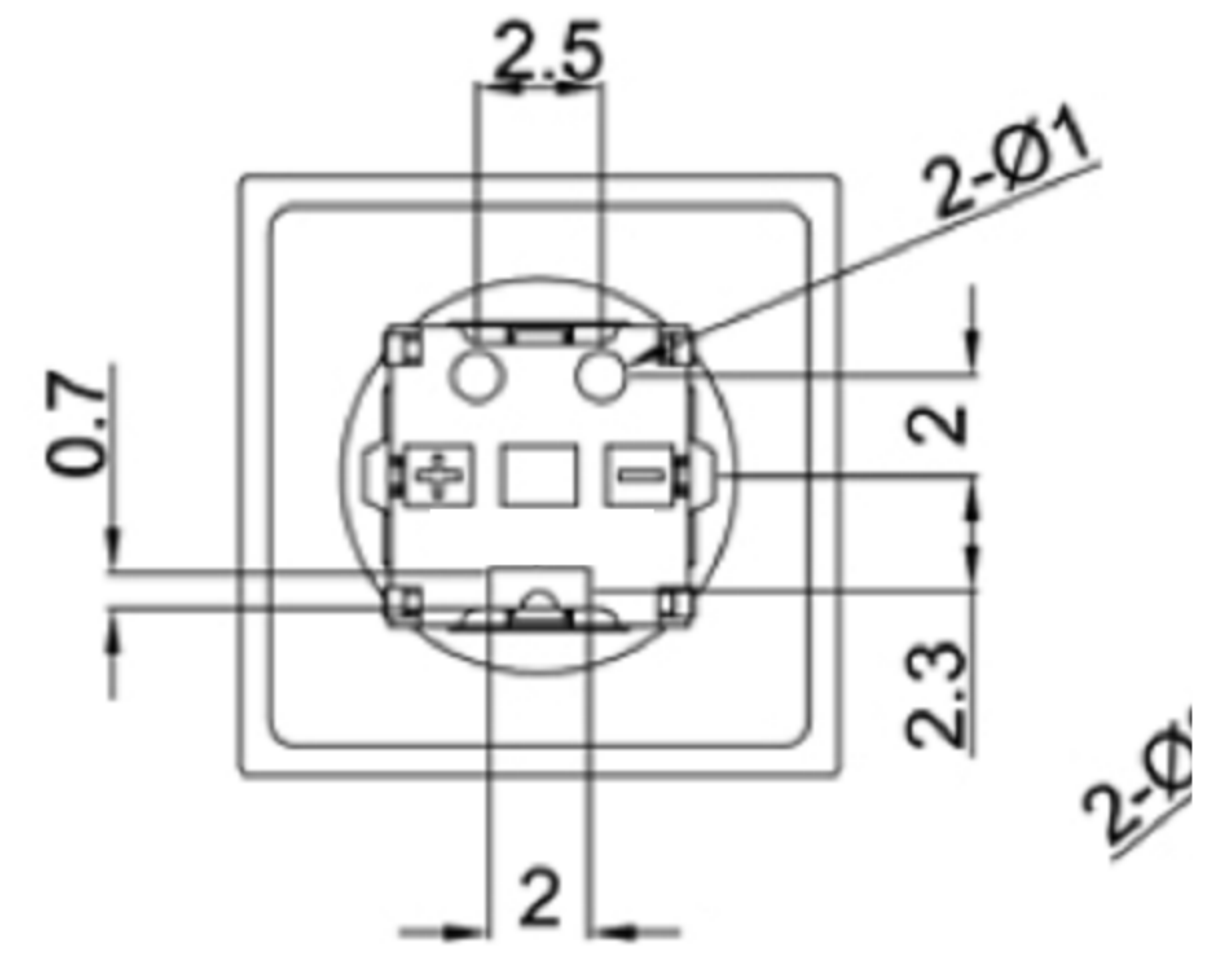
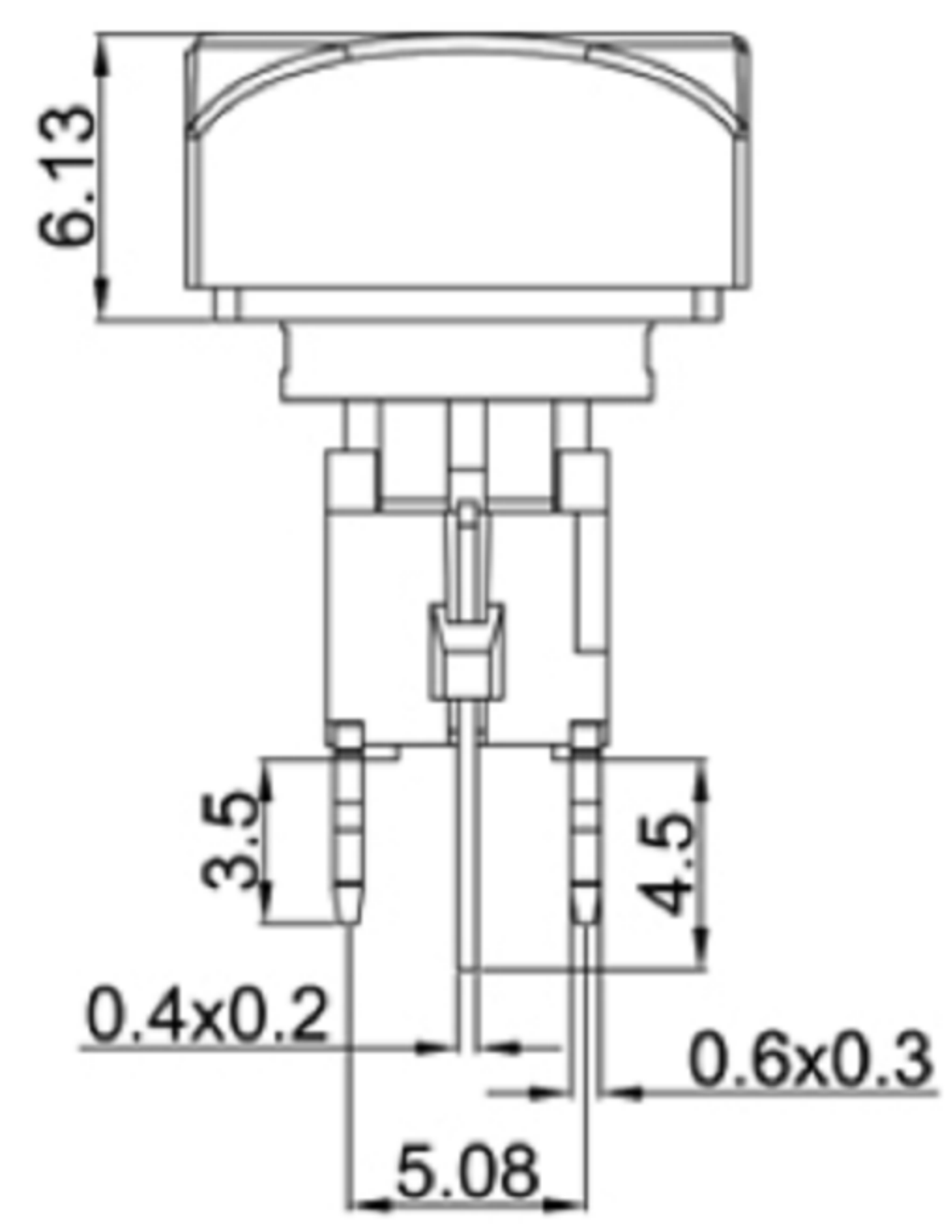
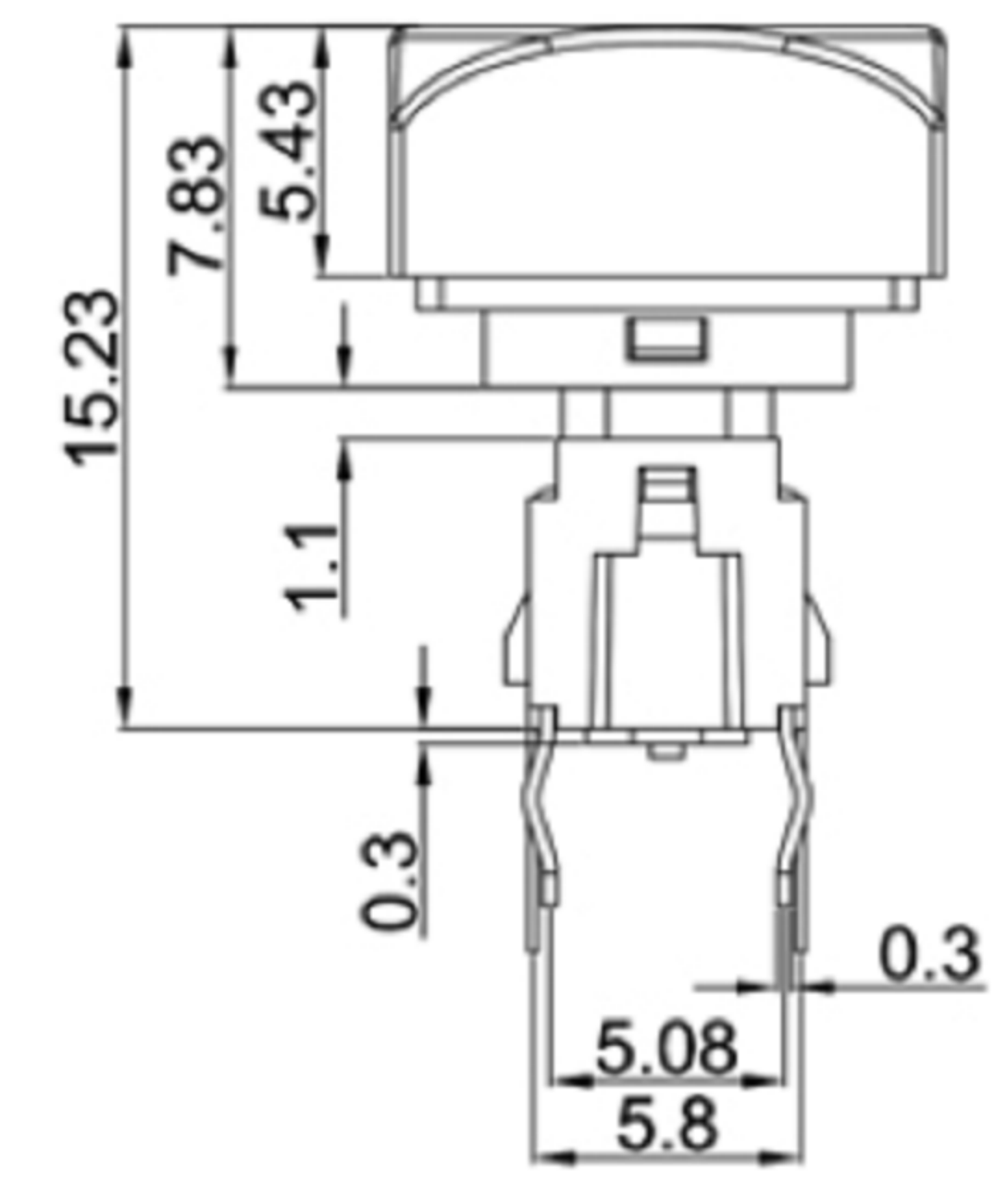


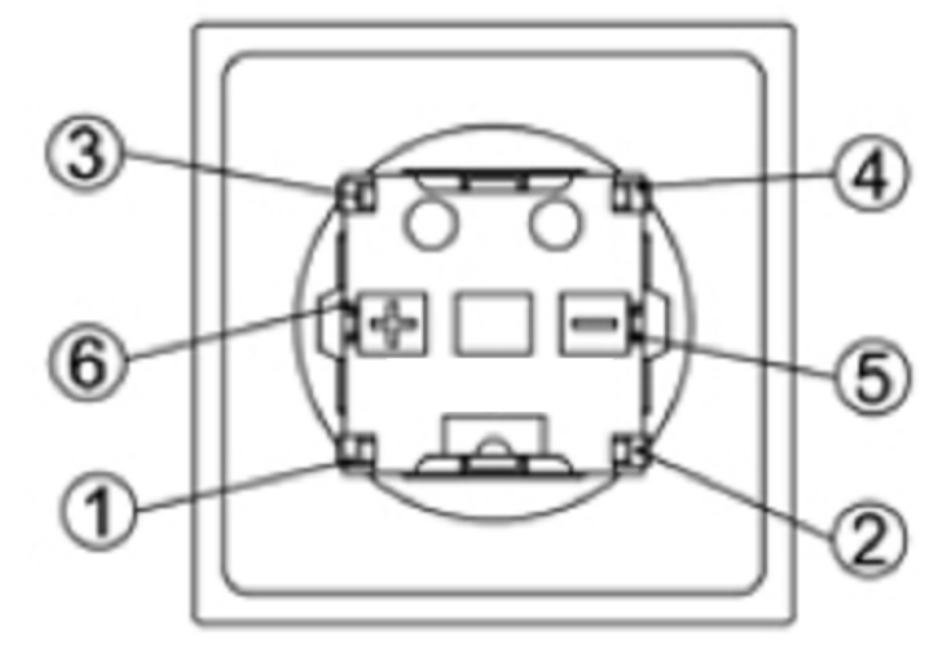
W1	白色	2.8	3.3	3.8	25	100	XY	XY
U1	蓝色	2.8	3.2	3.8	25	100	460	463
G5	绿色	2.8	3.2	3.6	25	100	521	520
Y1	黄色	1.6	2.0	2.6	25	100	590	590
R5	红色	1.6	2.0	2.6	25	100	625	620
灯发光颜色 X Emitted color X		最小	一般	最大	最大操作电流 (mA)	最大脉冲电流 (mA)	主波长 (nm)	峰值波长 (nm)
		顺向电压(V)						

**MATERIAL:**  
 Base Frame: PA, UL rated:94 V-2 Min ;  
 Actuator: PA+GF, UL rated:94 V-2 Min ;  
 Cap: PC ;  
 Terminal: Brass, Silver or Tin plated .

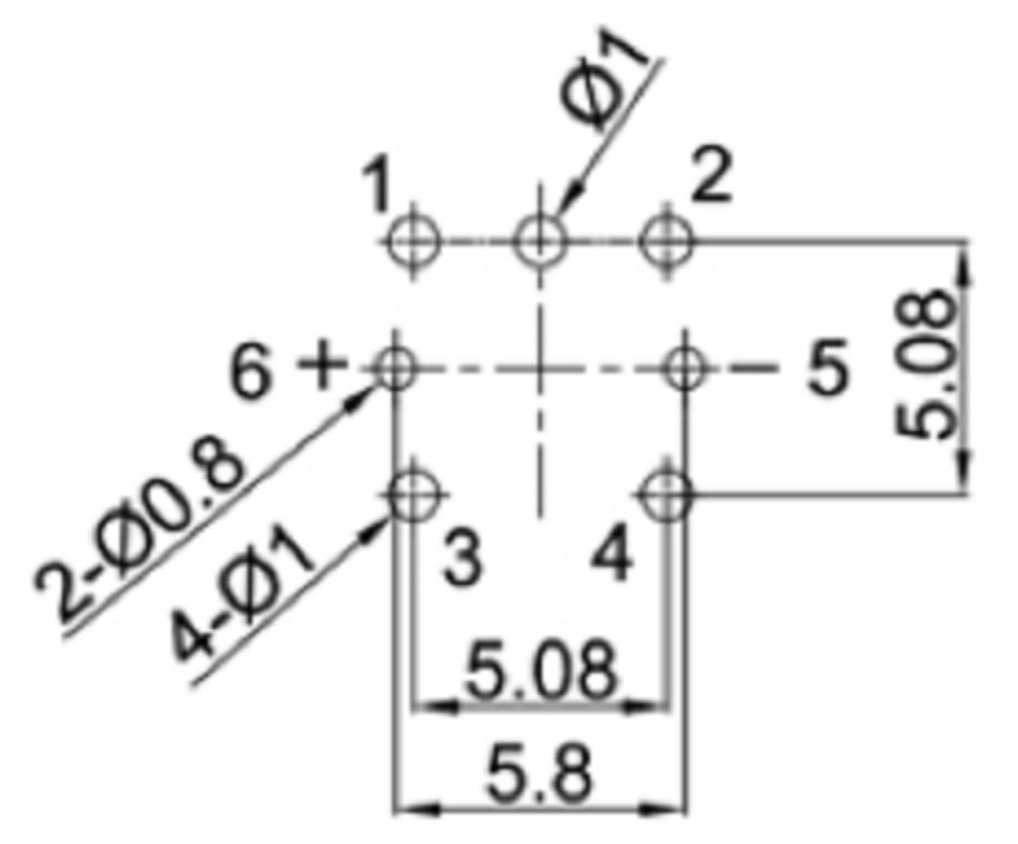
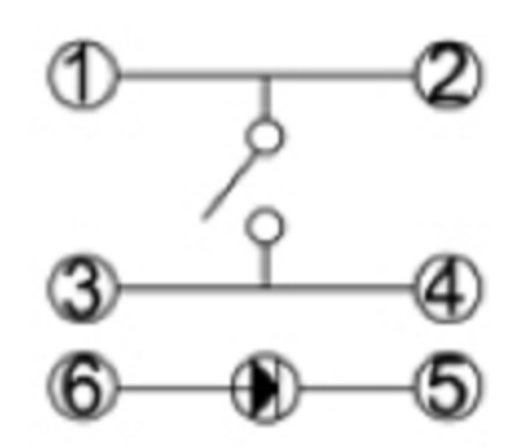
**Switch Specifications**  
 Circuit :SPST  
 Current rating :50mA  
 Voltage rating :12VDC  
 Dielectric withstanding voltage :250VAC for 1 minute  
 Contact resistance :30mΩ Max. (Initial)  
 Insulation resistance :100MΩ Min.  
 Operating force :250±50gf  
 Total travel :0.25mm±0.1mm  
 Operating life :100,000 cycles Min  
 Solder specifications :260° C for 5 seconds  
 Function :Momentary  
 Operating temperature :-20° C ~ +70° C  
 Welding method :Manual Soldering  
 350° C±5° C,3s±0.5s



**P.C.B. LAYOUT**



**CIRCUIT**



7	CAP	1	ABS / PC	Black
6	LED	1		
5	FIXITY	1	PA66	Black
4	CONTACT	1	PHOSPHOR BRONZE	Ag plated
3	TERMINAL	2	BRASS	Ag plated
2	CASE	1	PA66	Black
1	KNOB	1	PA66	Black/White
NO.	DESCRIPTION	QTY	MATERIAL	PLATING

**广东科斯达电子科技有限公司**  
 GUANG DONG KE SI DA ELECTRONIC TECHNOLOGY CO., LTD.

TOLERANCE UNLESS OTHERWISE STATED:  
 Up to 5 ±0.2  
 Above 5 ~ 15 ±0.3  
 Above 15 ~ 30 ±0.4  
 Above 30 ~ 50 ±0.5  
 Angle ±0.3

3RD. ANGEL'S

UNITS MM

DRAWN BY: Jack Lu DATE: 12/27/22  
 CHECKED BY: Jacky Chen DATE: 12/27/22  
 APPROVED BY: Tony Kao DATE: 12/27/22

MAT'L  
 FINISH  
 SCALE: 1:1  
 SHEET NO.: 1 of 1

TITLE: SWITCH  
 MODLE: TACT SWITCH WITH LED  
 DWG NO.  
 PART NO.

SIZE: A4  
 VER: R

ITEM NO.	DESCRIPTION	DRAWN	DATE