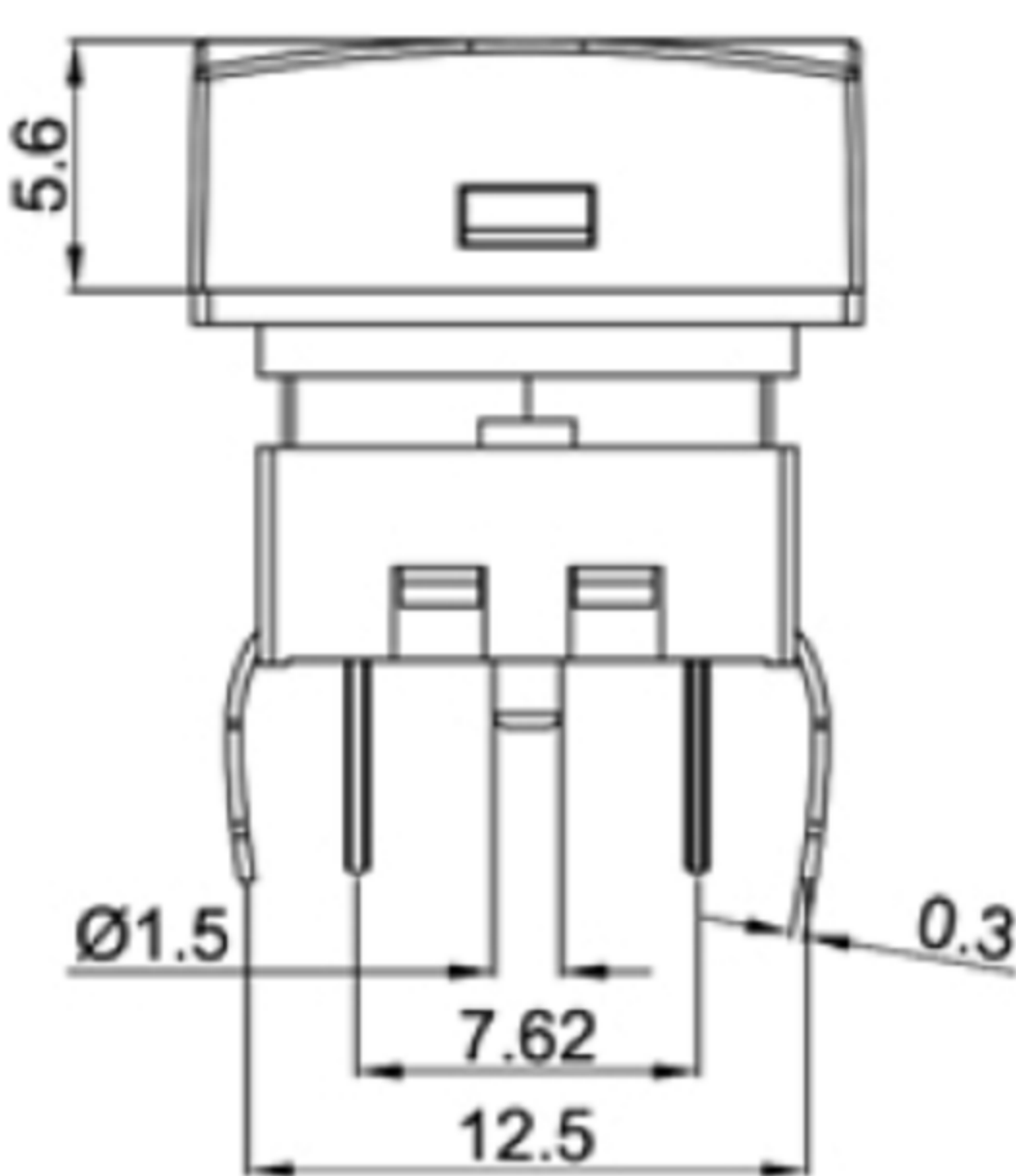
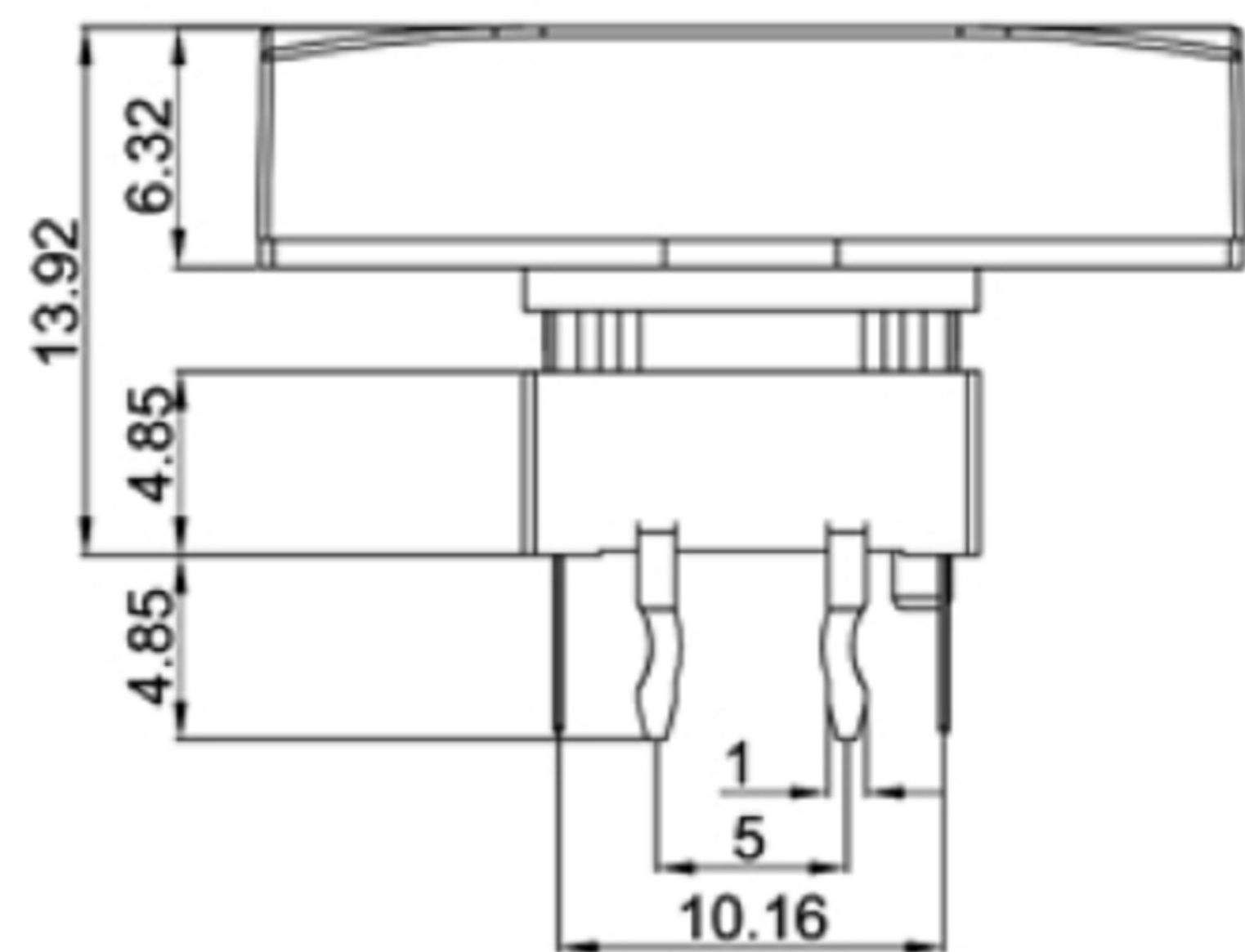


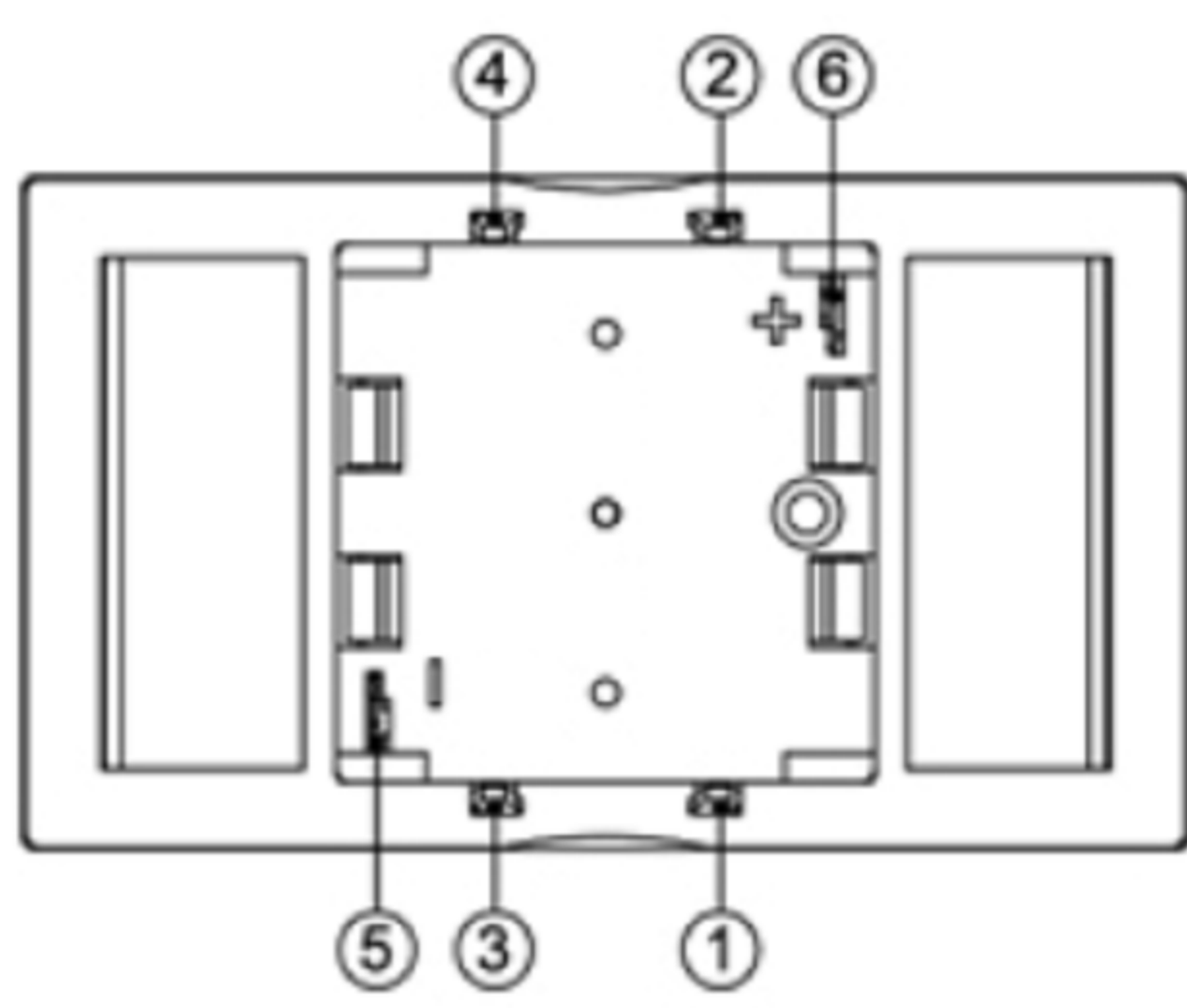
**Switch Specifications**

|                                 |                       |
|---------------------------------|-----------------------|
| Circuit                         | :SPST                 |
| Current rating                  | :50mA                 |
| Voltage rating                  | :12VDC                |
| Dielectric withstanding voltage | :250VAC for 1 minute  |
| Contact resistance              | :100mΩ Max. (Initial) |
| Insulation resistance           | :100MΩ Min.           |
| Operating force                 | :250±50gf             |
| Total travel                    | :0.4mm±0.15mm         |
| Operating life                  | :200,000 cycles Min   |
| Solder specifications           | :260° C for 5 seconds |
| Function                        | :Momentary            |
| Operating temperature           | :-20° C ~ +70° C      |



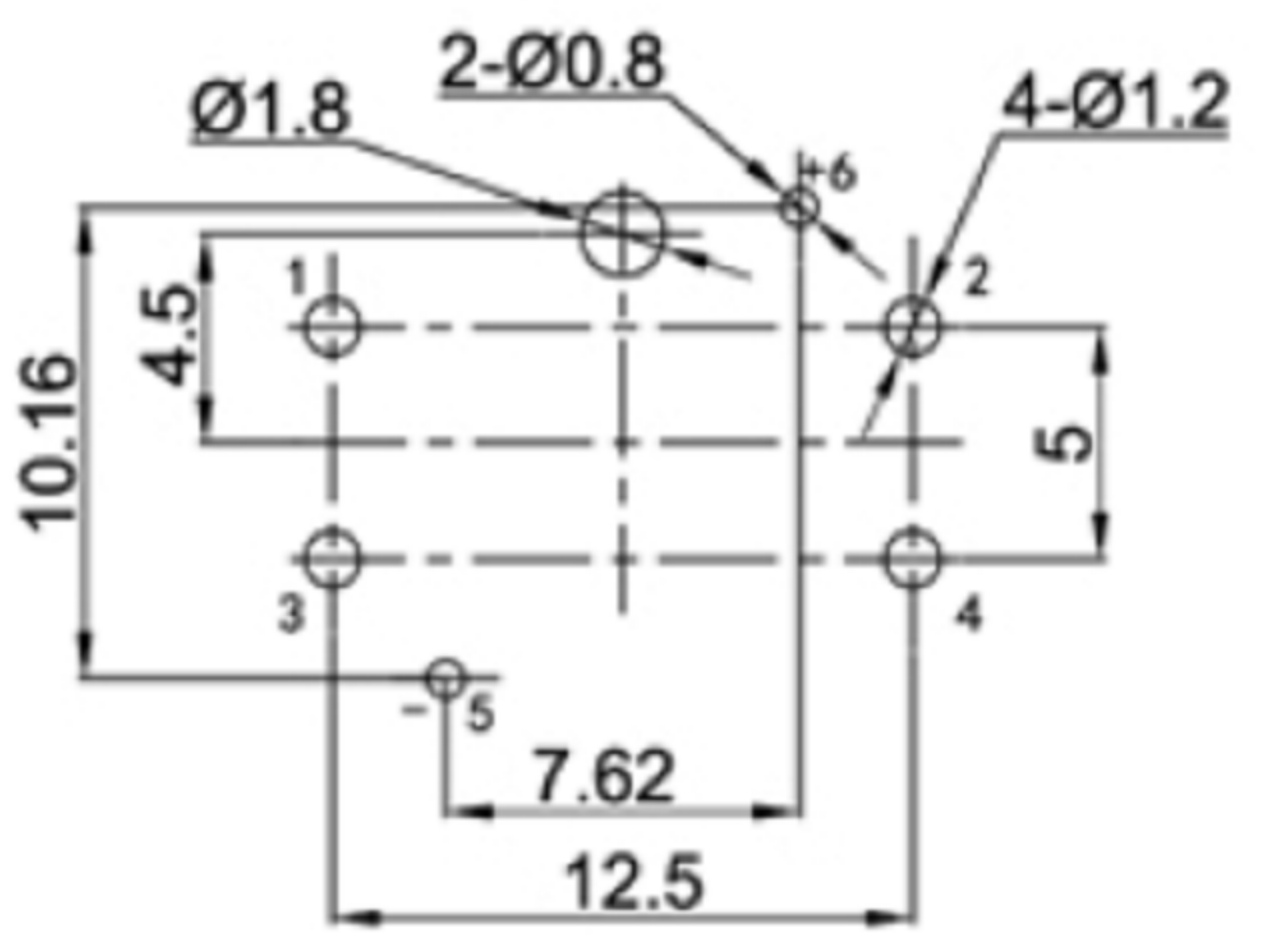
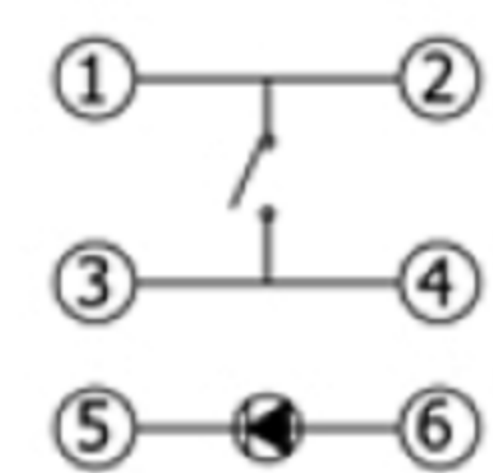
**MATERIAL:**

Base: PA66+GF, UL rated: 94 V-2 min ;  
 Cap: PC;  
 Terminal: Brass, Golden plated;



**P.C.B.LAYOUT**

**CIRCUIT**



| NO. | DESCRIPTION | QTY | MATERIAL        | PLATING     |
|-----|-------------|-----|-----------------|-------------|
| 7   | CAP         | 1   | ABS / PC        | Black       |
| 6   | LED         | 1   |                 |             |
| 5   | FIXITY      | 1   | PA66            | Black       |
| 4   | CONTACT     | 1   | PHOSPHOR BRONZE | Ag plated   |
| 3   | TERMINAL    | 2   | BRASS           | Ag plated   |
| 2   | CASE        | 1   | PA66            | Black       |
| 1   | KNOB        | 1   | PA66            | Black/White |

**广东科斯达电子科技有限公司**  
**GUANG DONG KE SI DA ELECTRONIC TECHNOLOGY CO., LTD.**

|                                    |              |                   |                    |                    |            |
|------------------------------------|--------------|-------------------|--------------------|--------------------|------------|
| TOLERANCE UNLESS OTHERWISE STATED: | Up to 5 ±0.2 | Above 5 ~ 15 ±0.3 | Above 15 ~ 30 ±0.4 | Above 30 ~ 50 ±0.5 | Angle ±0.3 |
|                                    | 3RD. ANGEL'S | UNITS             | MM                 |                    |            |

|              |          |           |          |                      |
|--------------|----------|-----------|----------|----------------------|
| DRAWN BY:    | DATE     | MAT'L     | TITLE    | SWITCH               |
| Jack Lu      | 12/27/22 |           | MODLE    | TACT SWITCH WITH LED |
| CHECKED BY:  | DATE     | FINISH    | SCALE    | 1:1                  |
| Jacky Chen   | 12/27/22 |           | DWG NO.  |                      |
| APPROVED BY: | DATE     | SHEET NO. | PART NO. |                      |
| Tony Kao     | 12/27/22 | 1 of 1    |          |                      |

| ITEM NO. | DESCRIPTION | DRAWN | DATE |
|----------|-------------|-------|------|
|          |             |       |      |