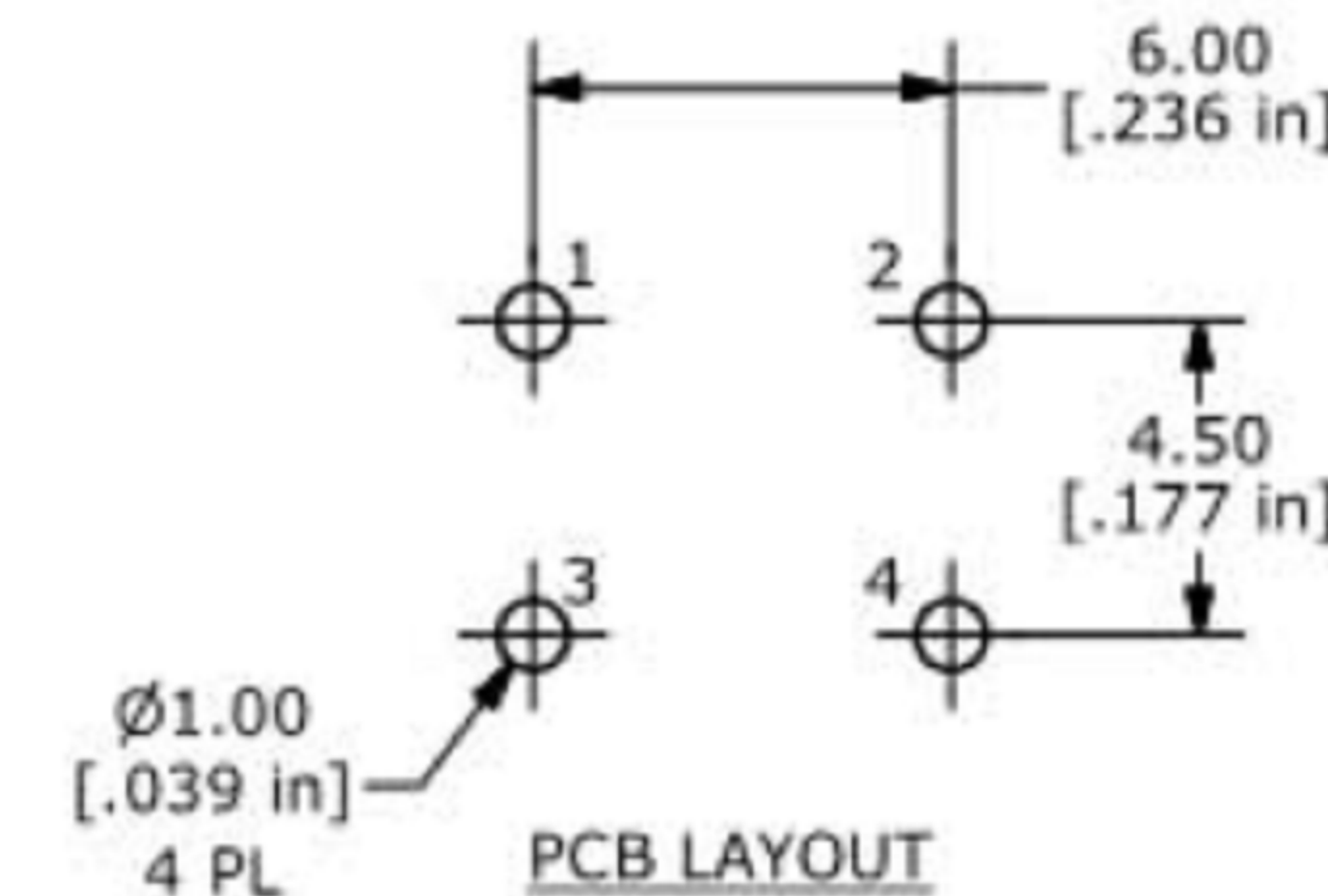
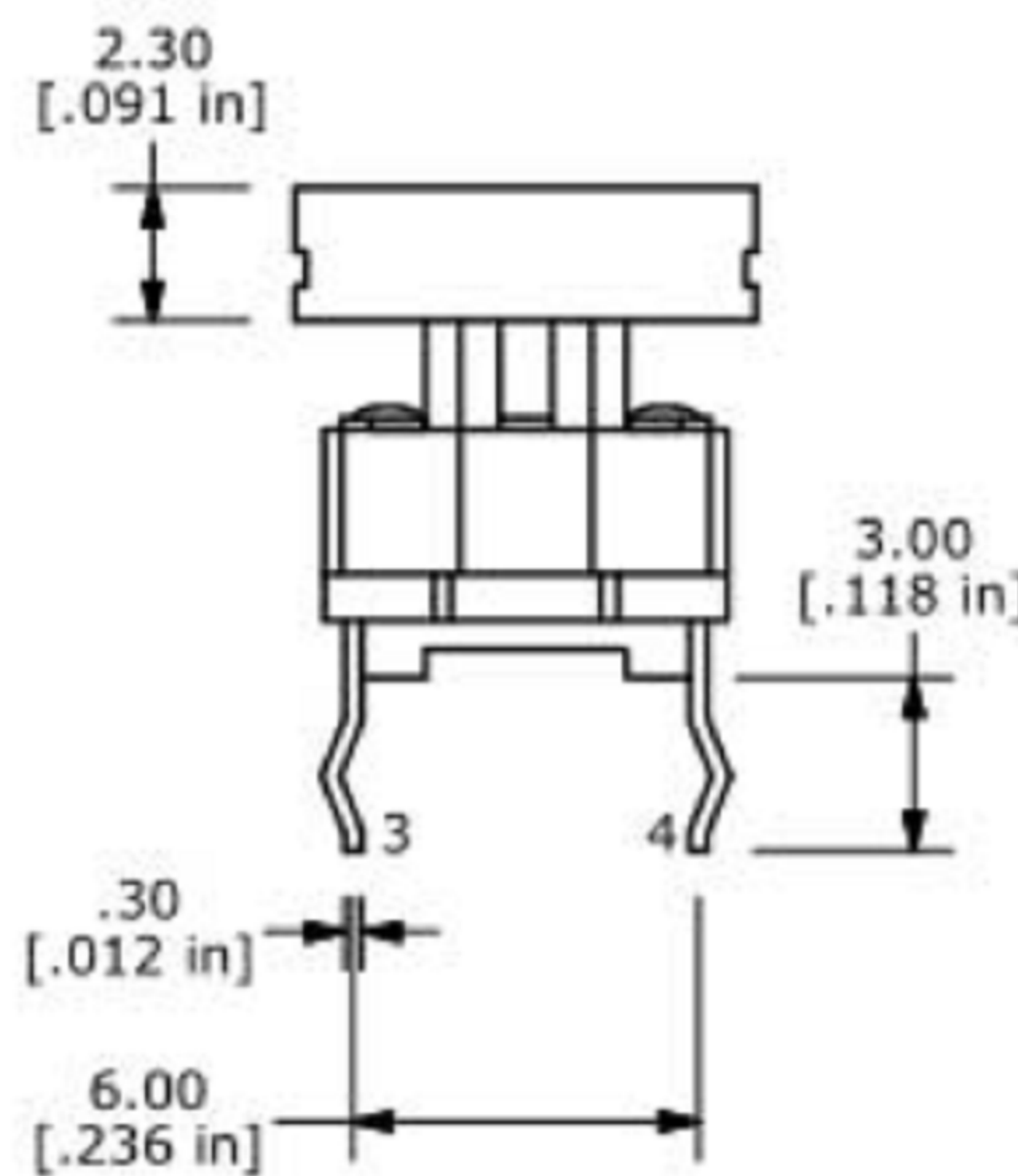
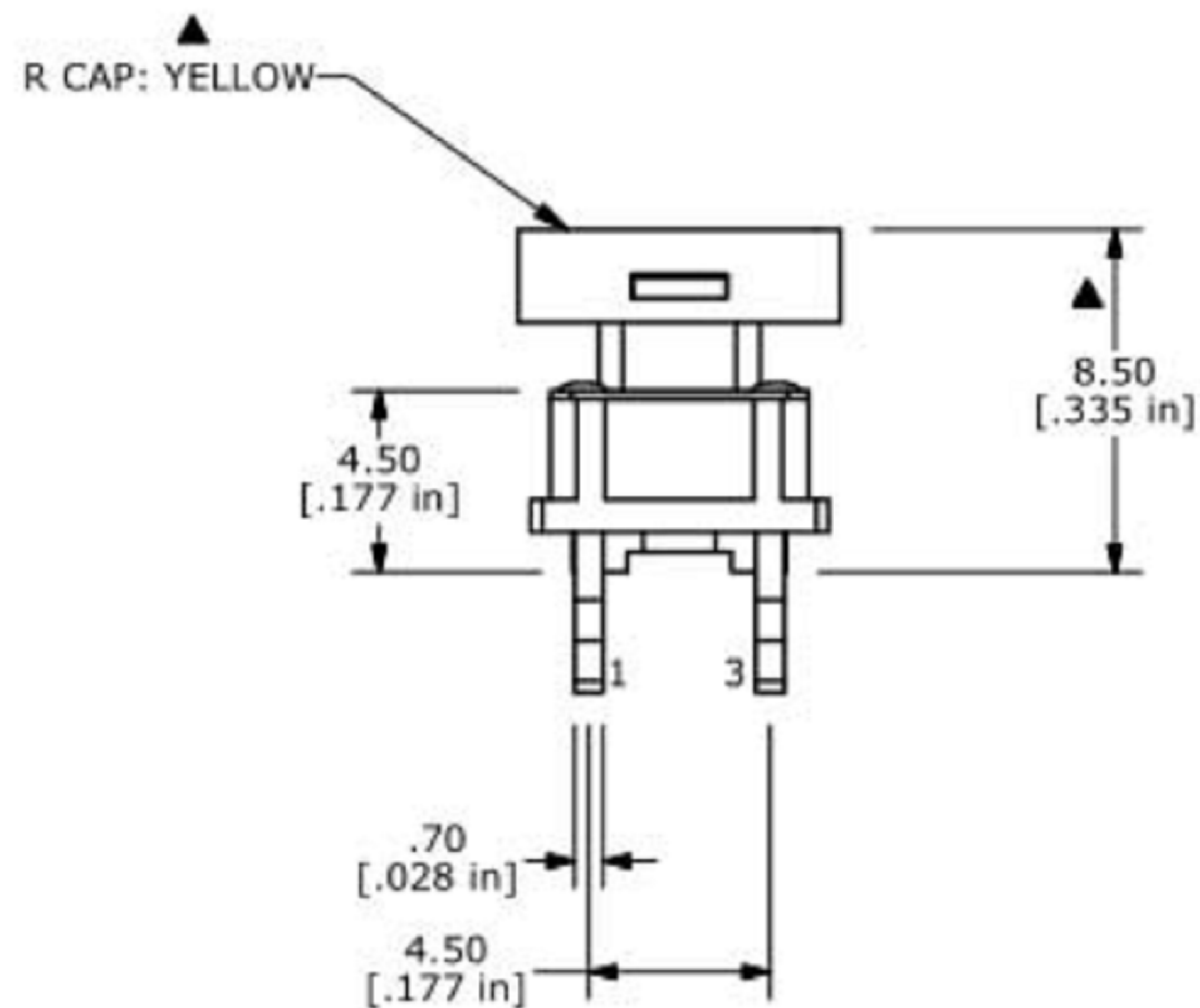


CIRCUIT: SPST ▲



7	CAP	1	ABS / PC	Black
6	LED	1		
5	FIXITY	1	PA66	Black
4	CONTACT	1	PHOSPHOR BRONZE	Ag plated
3	TERMINAL	2	BRASS	Ag plated
2	CASE	1	PA66	Black
1	KNOB	1	PA66	Black/White
NO.	DESCRIPTION	QTY	MATERIAL	PLATING

广东科斯达电子科技有限公司
GUANG DONG KE SI DA ELECTRONIC TECHNOLOGY CO., LTD.

TOLERANCE UNLESS OTHERWISE STATED: Up to 5 ±0.2, Above 5 ~ 15 ±0.3, Above 15 ~ 30 ±0.4, Above 30 ~ 50 ±0.5, Angle ±0.3

3RD. ANGEL'S

UNITS MM

DRAWN BY: Jack Lu DATE: 12/27/22
 CHECKED BY: Jacky Chen DATE: 12/27/22
 APPROVED BY: Tony Kao DATE: 12/27/22

MAT'L
 FINISH
 SCALE: 1:1
 SHEET NO.: 1 of 1

TITLE: SWITCH
 MODLE: TACT SWITCH WITH LED
 DWG NO.
 PART NO.

SIZE: A4
 VER: R

ITEM NO.	DESCRIPTION	DRAWN	DATE