



安裝尺寸Diameter:  $\Phi$  16mm

燈珠顏色Color: R G Y O B W

開關額定值Switch Rating: 2A/36VDC

開關組合Contact Configuration: 1NO

操作類型Operation Type: 自鎖型Maintained(Z)

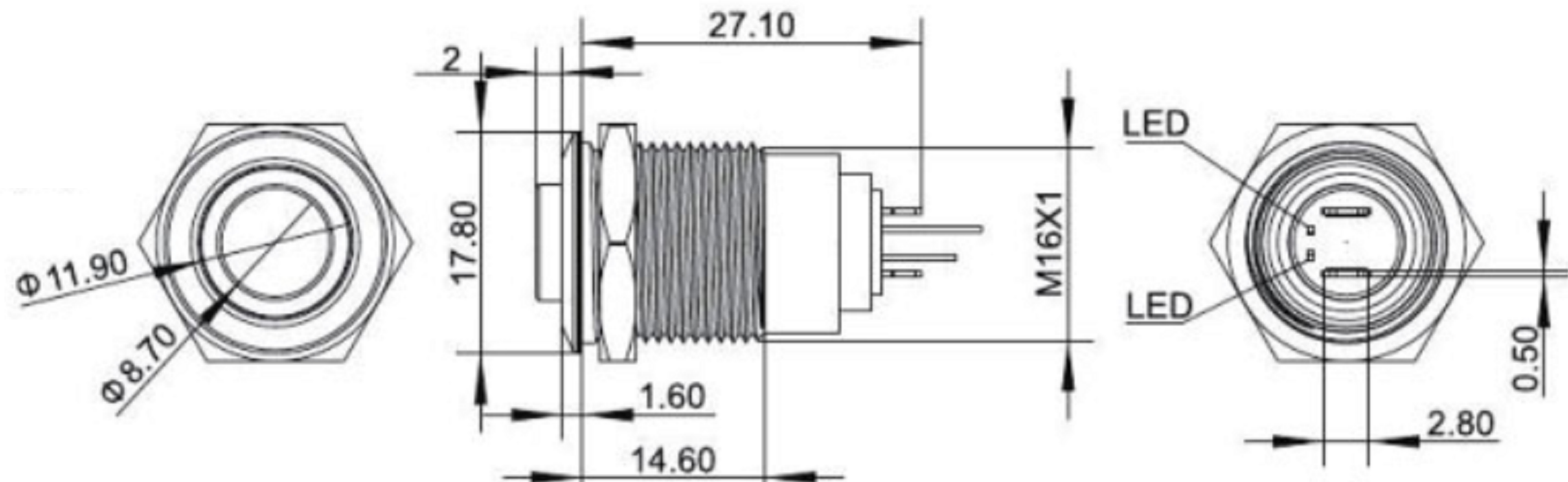
頭部形狀The Front Shape: 高頭 Raised

帶燈方式Lamp type: 環形帶燈Ring Illuminated(LED)

外殼材料

The Crust Material: 不銹鋼Stainless steel

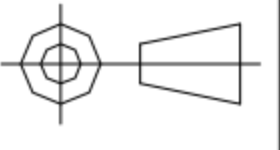
防護等級IP Degree: IP67, IK10



 **广东科斯达电子科技有限公司**  
**GUANG DONG KE SI DA ELECTRONIC TECHNOLOGY CO., LTD.**

TOLERANCE UNLESS OTHERWISE STATED: 

Up to 5	$\pm 0.2$
Above 5 ~ 15	$\pm 0.3$
Above 15 ~ 30	$\pm 0.4$
Above 30 ~ 50	$\pm 0.5$
Angle	$\pm 0.3$

 3RD. ANGEL'S  UNITS MM

DRAWN BY:	DATE	MAT'L	TITLE	SWITCH
Jack Lu	12/27/22			
CHECKED BY:	DATE	FINISH	MODLE	TACT SWITCH WITH LED
Jacky Chen	12/27/22			
APPROVED BY:	DATE	SCALE	DWG NO.	SIZE
Tony Kao	12/27/22	1 : 1		A4
		SHEET NO.	PART NO.	VER
		1 of 1		R

ITEM NO.	DESCRIPTION	DRAWN	DATE