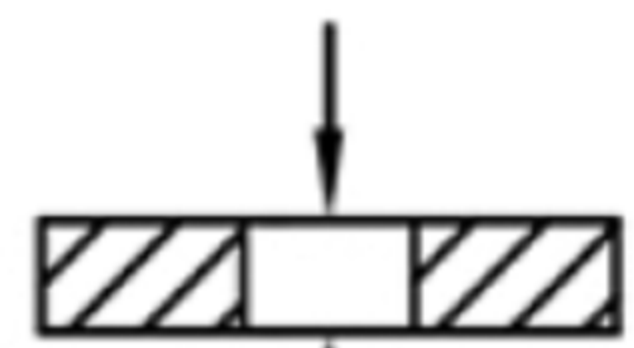
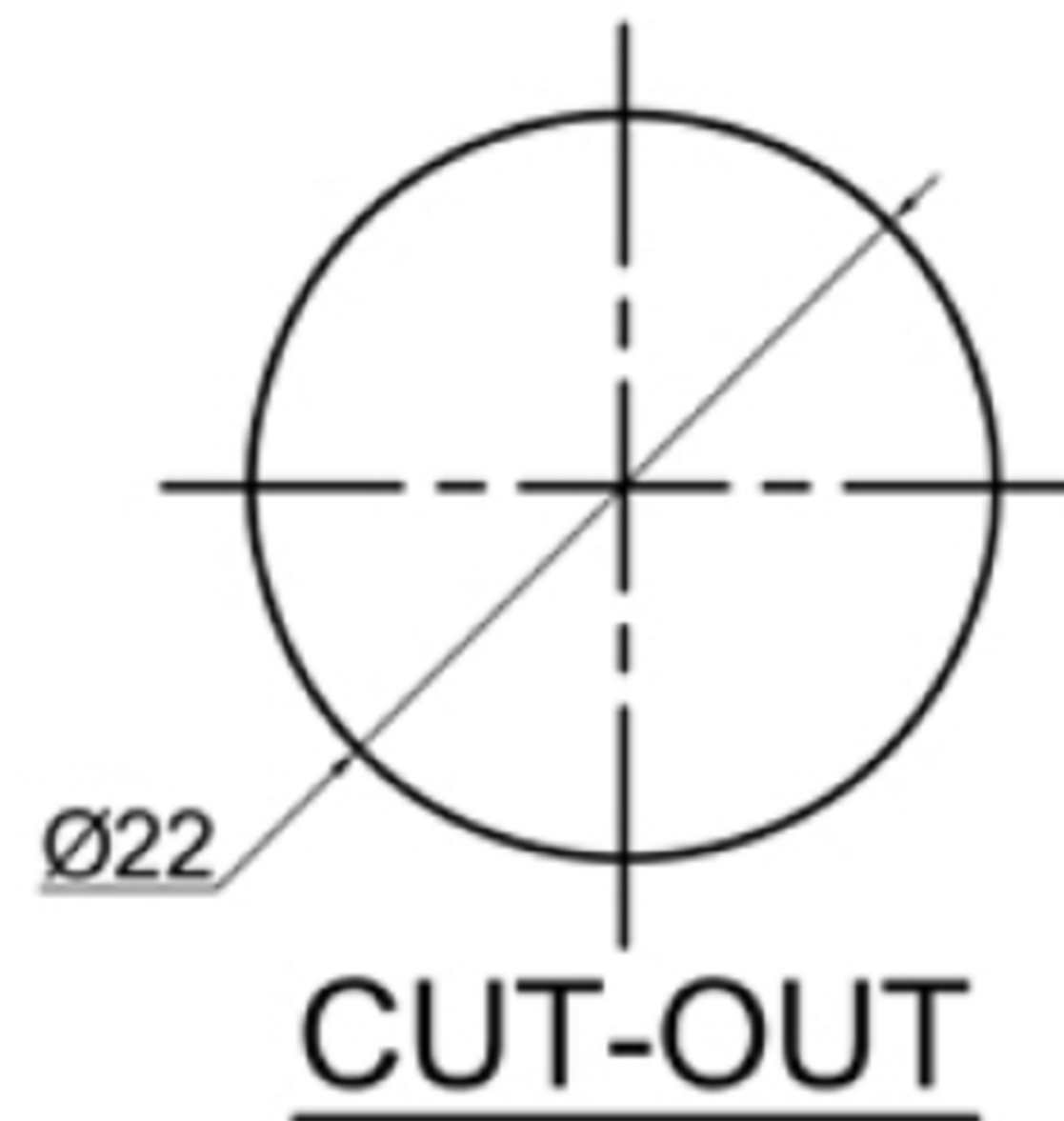
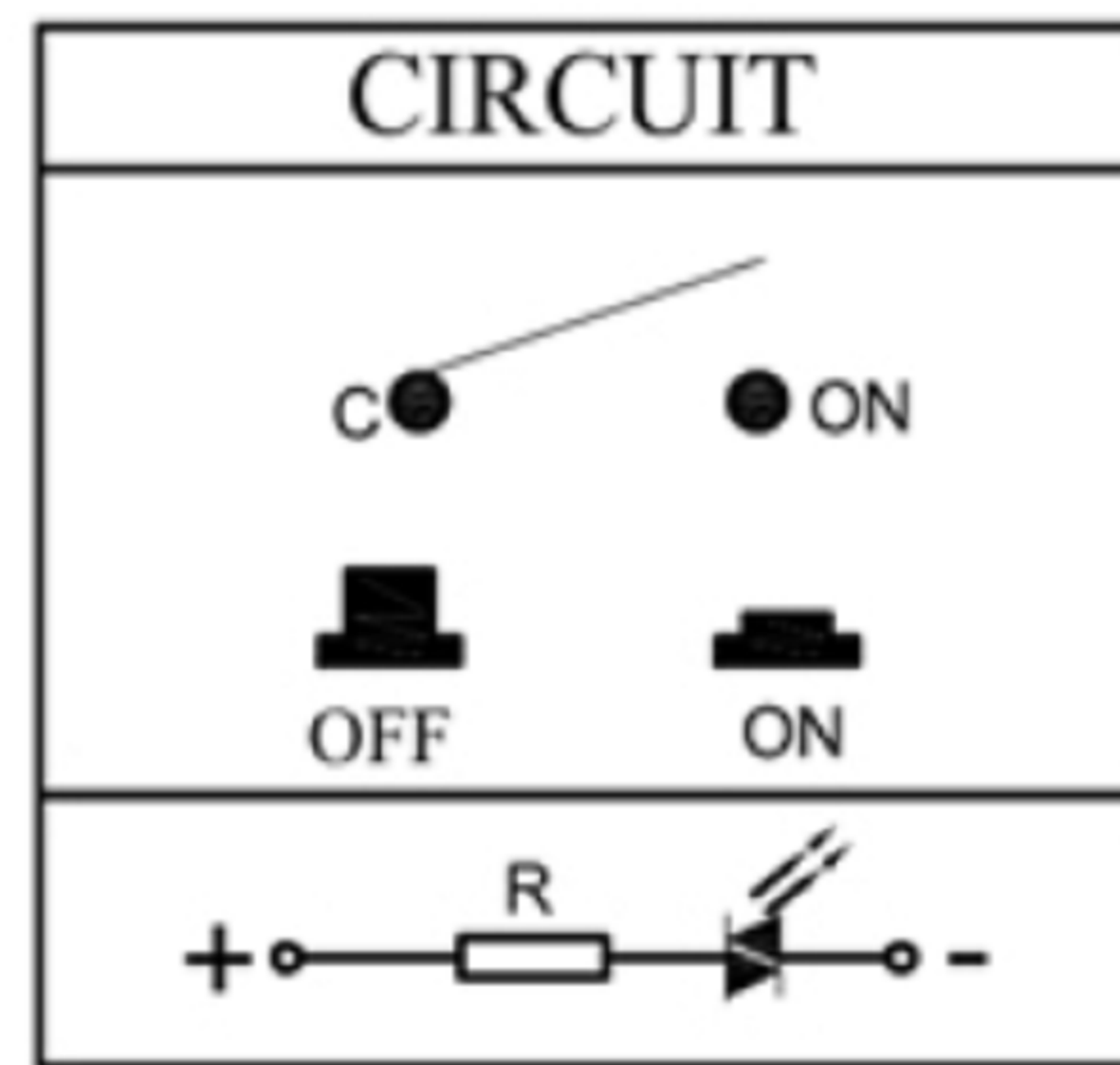
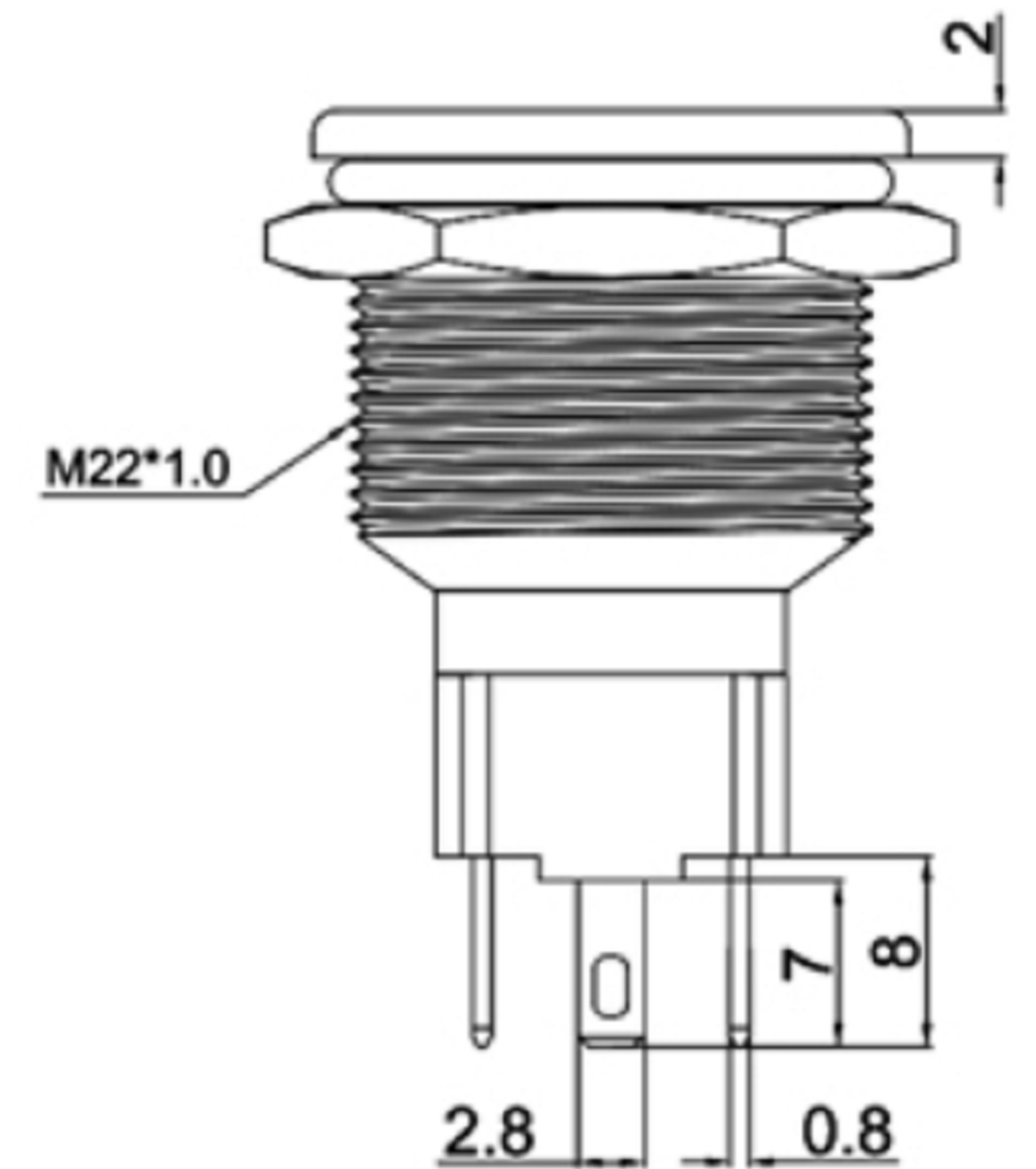
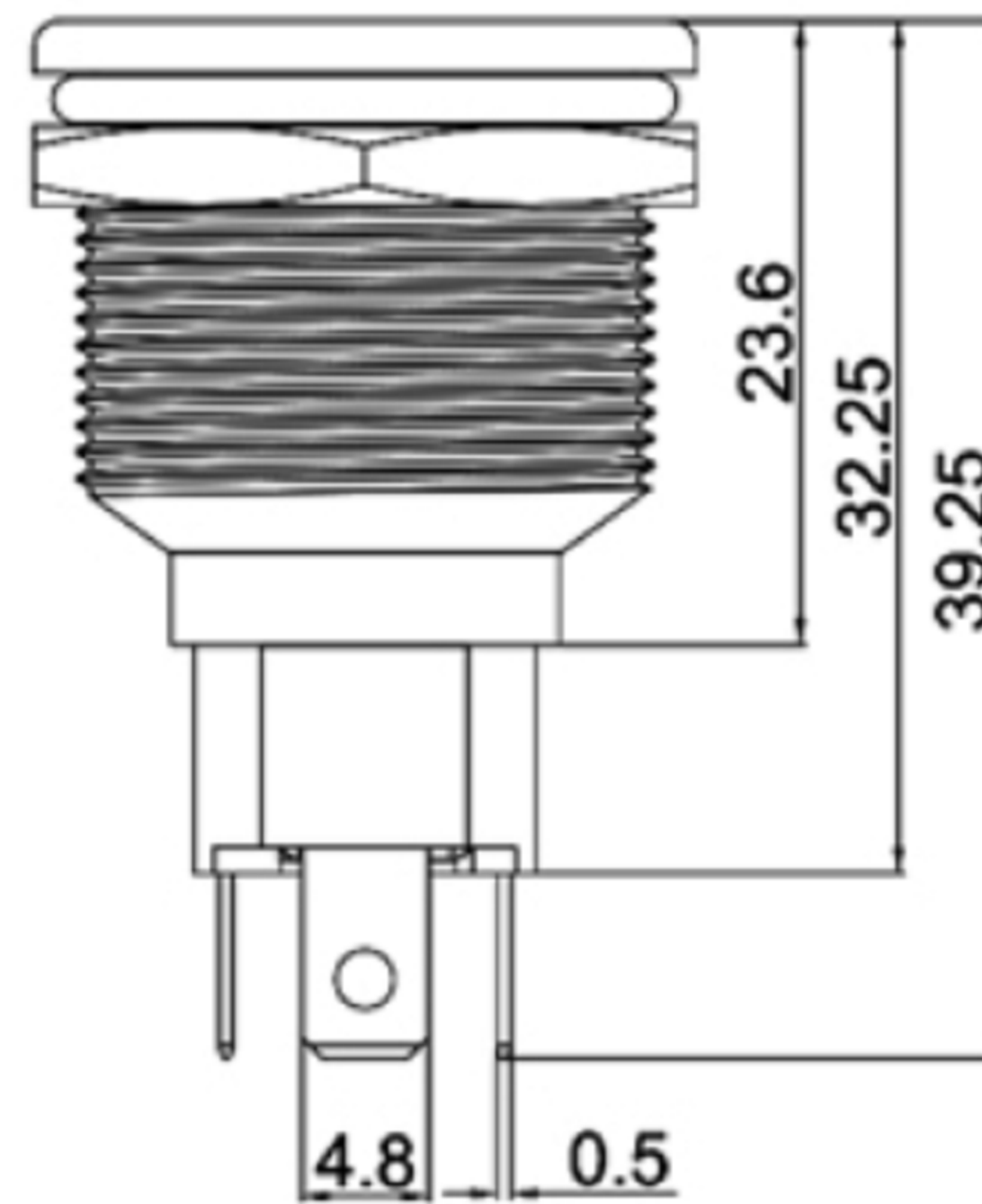


# SPECIFICATIONS

Rating: 10A 250VACmax;  
 Degree of protection: IP67;  
 Contact Resistance: 50mΩ Max. ;  
 Dielectric Strength: 1500VAC For 1 minute ;  
 Total Travel: 3±0.5mm ;  
 Operating Force: 600±200gf ;  
 Mechanical Life: 30,000 cycles ;  
 Load Life: 10,000 cycles ;  
 Operating Temperature: -20° C~70° C ;  
 Function: LOCK



Panel Thickness: 10mm MAX.


**广东科斯达电子科技有限公司**  
 GUANG DONG KE SI DA ELECTRONIC TECHNOLOGY CO., LTD.

TOLERANCE UNLESS OTHERWISE STATED:	Up to 5 ±0.2	Above 5 ~ 15 ±0.3	Above 15 ~ 30 ±0.4	Above 30 ~ 50 ±0.5	Angle ±0.3	3RD. ANGEL'S	UNITS	MM
------------------------------------	--------------	-------------------	--------------------	--------------------	------------	--------------	-------	----

DRAWN BY:	DATE	MAT'L	TITLE	SWITCH
Jack Lu	12/27/22			
CHECKED BY:	DATE	FINISH	MODLE	TACT SWITCH WITH LED
Jacky Chen	12/27/22			
APPROVED BY:	DATE	SCALE	DWG NO.	
Tony Kao	12/27/22	1 : 1		
		SHEET NO.	PART NO.	
		1 of 1		

ITEM NO.	DESCRIPTION	DRAWN	DATE

SIZE	A4
VER	R