



Recommended hole size

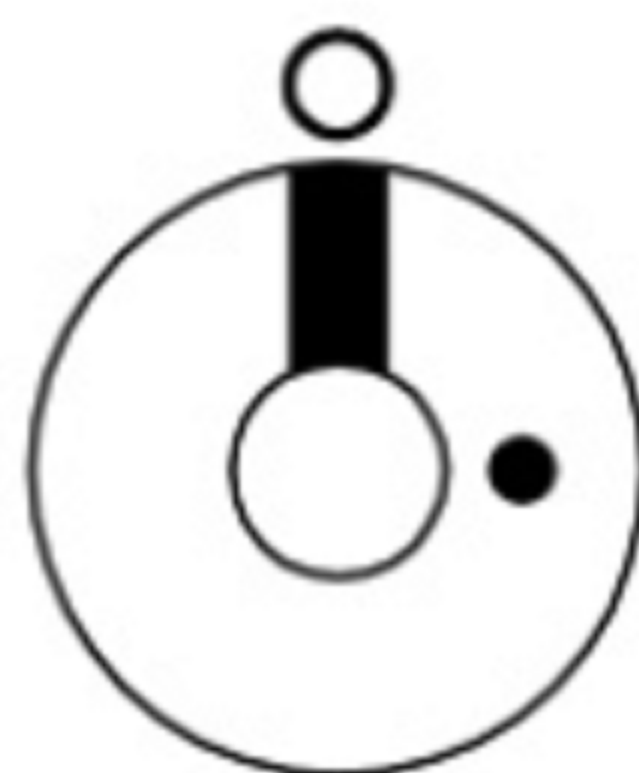


Fig.1

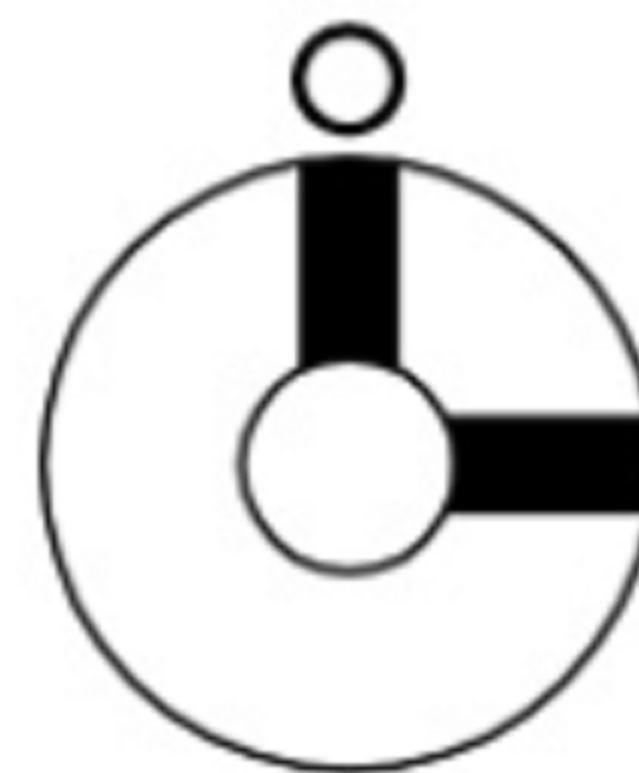
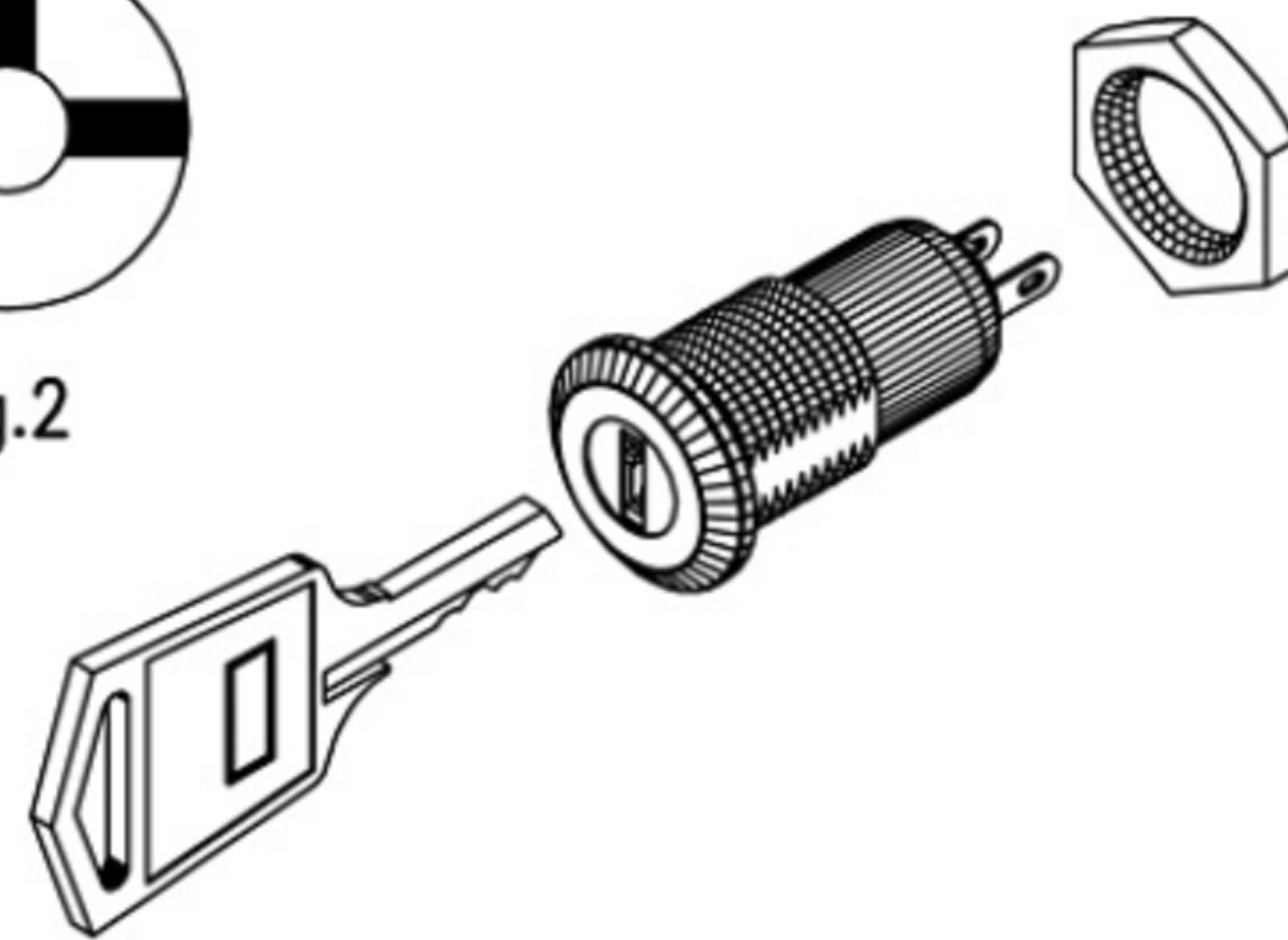
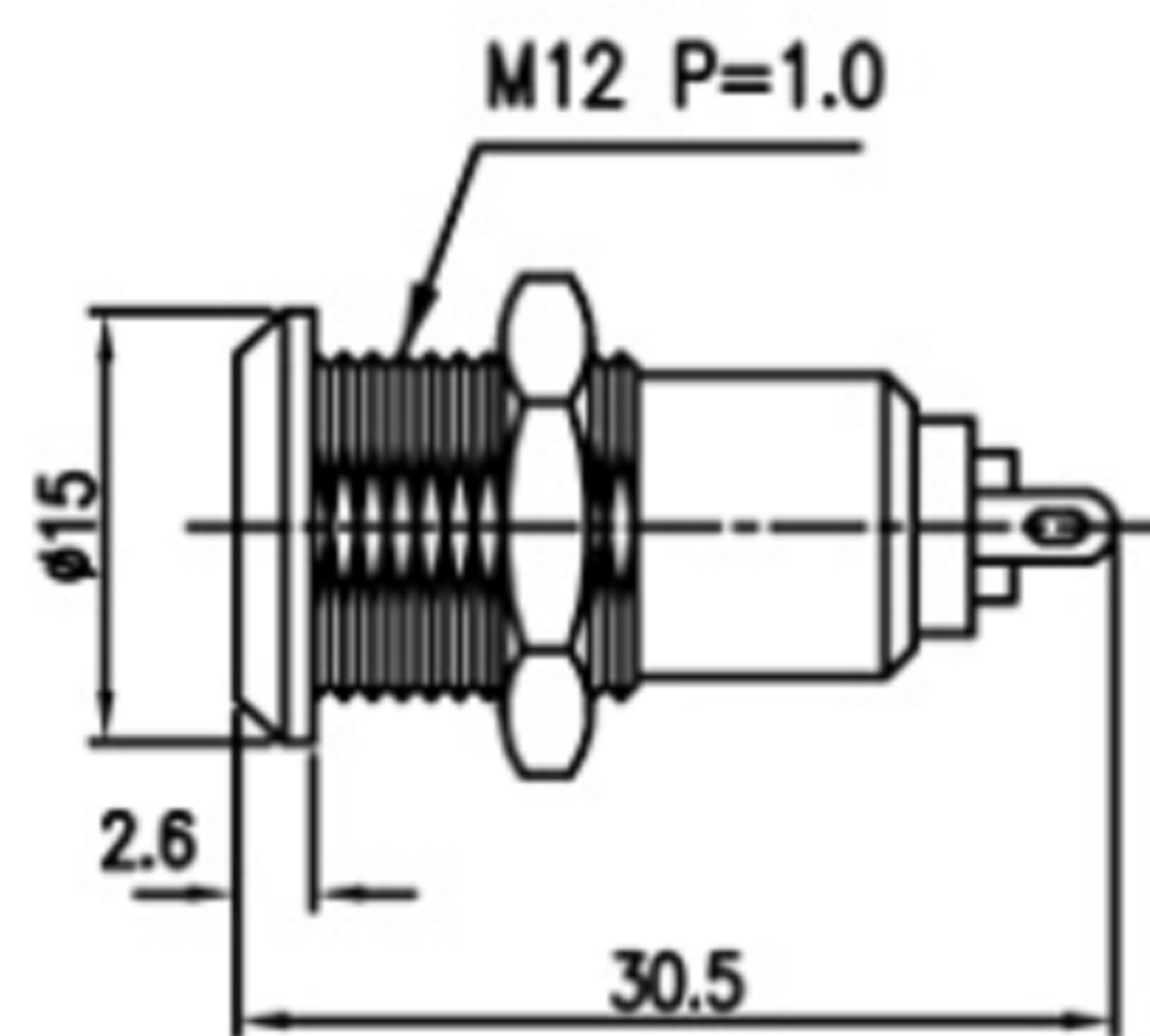
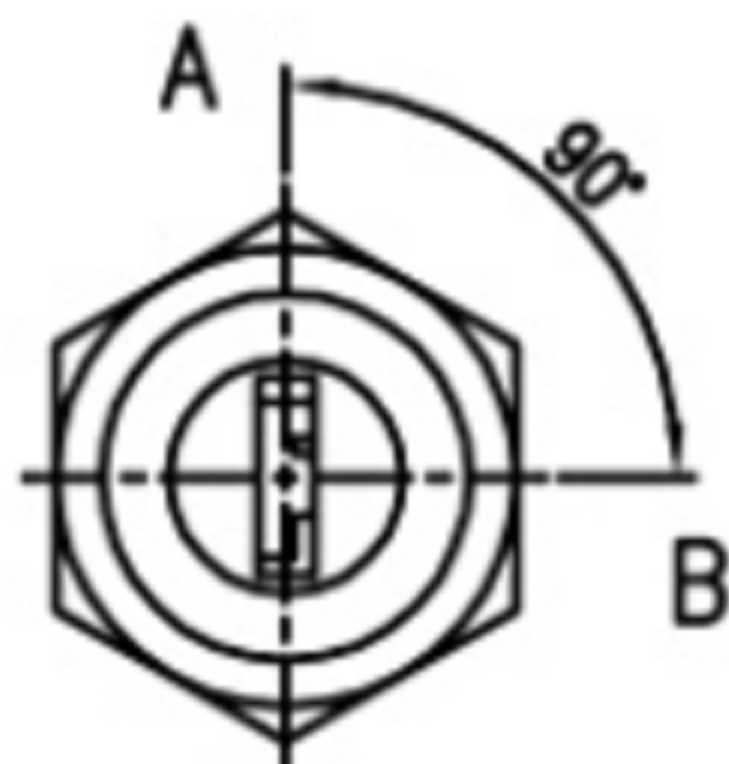


Fig.2

Unit: mm



| Fig No | Lock Number | Pole | Positions | Terminals | Key Pulls | Turn | ⬆   | ➡  | Type |
|--------|-------------|------|-----------|-----------|-----------|------|-----|----|------|
| 1      | S1091B-1    | 1    | 2         | 2         | 1         | 90°  | Off | On | SPST |
| 2      | S1091B-2    | 1    | 2         | 2         | 2         | 90°  | Off | On | SPST |

广东科斯达电子科技有限公司  
GUANG DONG KE SI DA ELECTRONIC TECHNOLOGY CO., LTD.

TOLERANCE UNLESS OTHERWISE STATED:  
 Up to 5 ±0.2  
 Above 5 ~ 15 ±0.3  
 Above 15 ~ 30 ±0.4  
 Above 30 ~ 50 ±0.5  
 Angle ±0.3

3RD. ANGEL'S

UNITS MM

|              |          |           |          |                      |
|--------------|----------|-----------|----------|----------------------|
| DRAWN BY:    | DATE     | MAT'L     | TITLE    | SWITCH               |
| Jack Lu      | 12/27/22 | FINISH    | MODLE    | TACT SWITCH WITH LED |
| CHECKED BY:  | DATE     | SCALE     | DWG NO.  | SIZE                 |
| Jacky Chen   | 12/27/22 | 1:1       | PART NO. | A4                   |
| APPROVED BY: | DATE     | SHEET NO. |          | VER                  |
| Tony Kao     | 12/27/22 | 1 of 1    |          | R                    |

| ITEM NO. | DESCRIPTION | DRAWN | DATE |
|----------|-------------|-------|------|
|          |             |       |      |