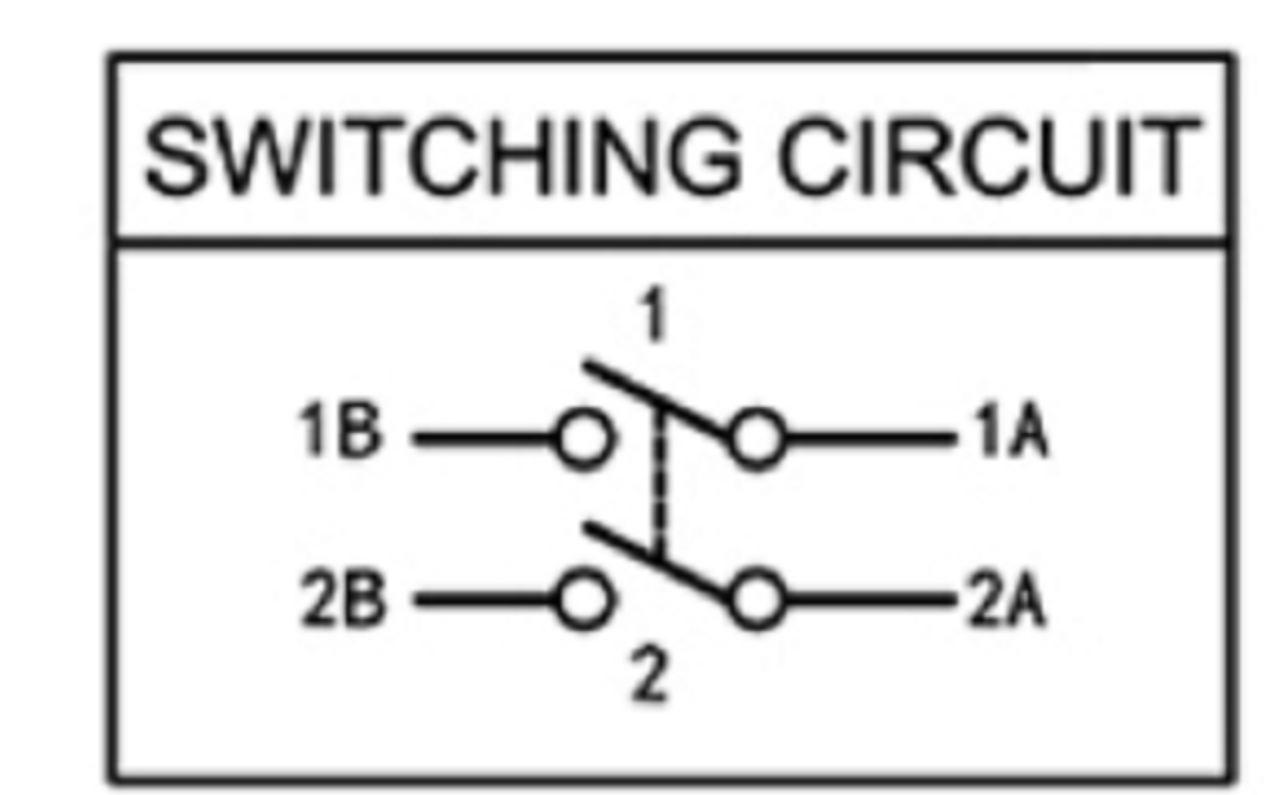


### CUT-OUT

	X	Y
0.75~1.25	21.9~22.0	19.2-0.1
1.25~2.00	21.9~22.0	19.4-0.1
2.00~3.00	21.9~22.0	19.8-0.1




**广东科斯达电子科技有限公司**  
**GUANG DONG KE SI DA ELECTRONIC TECHNOLOGY CO., LTD.**

TOLERANCE UNLESS OTHERWISE STATED: Up to 5 ±0.2, Above 5 ~ 15 ±0.3, Above 15 ~ 30 ±0.4, Above 30 ~ 50 ±0.5, Angle ±0.3  
 3RD. ANGEL'S  
 UNITS MM

DRAWN BY:	DATE	MAT'L	TITLE	SWITCH
Jack Lu	12/27/22		MODLE	TACT SWITCH WITH LED
CHECKED BY:	DATE	FINISH	DWG NO.	SIZE
Jacky Chen	12/27/22		PART NO.	A4
APPROVED BY:	DATE	SCALE	1 : 1	VER
Tony Kao	12/27/22	SHEET NO.	1 of 1	R

ITEM NO.	DESCRIPTION	DRAWN	DATE