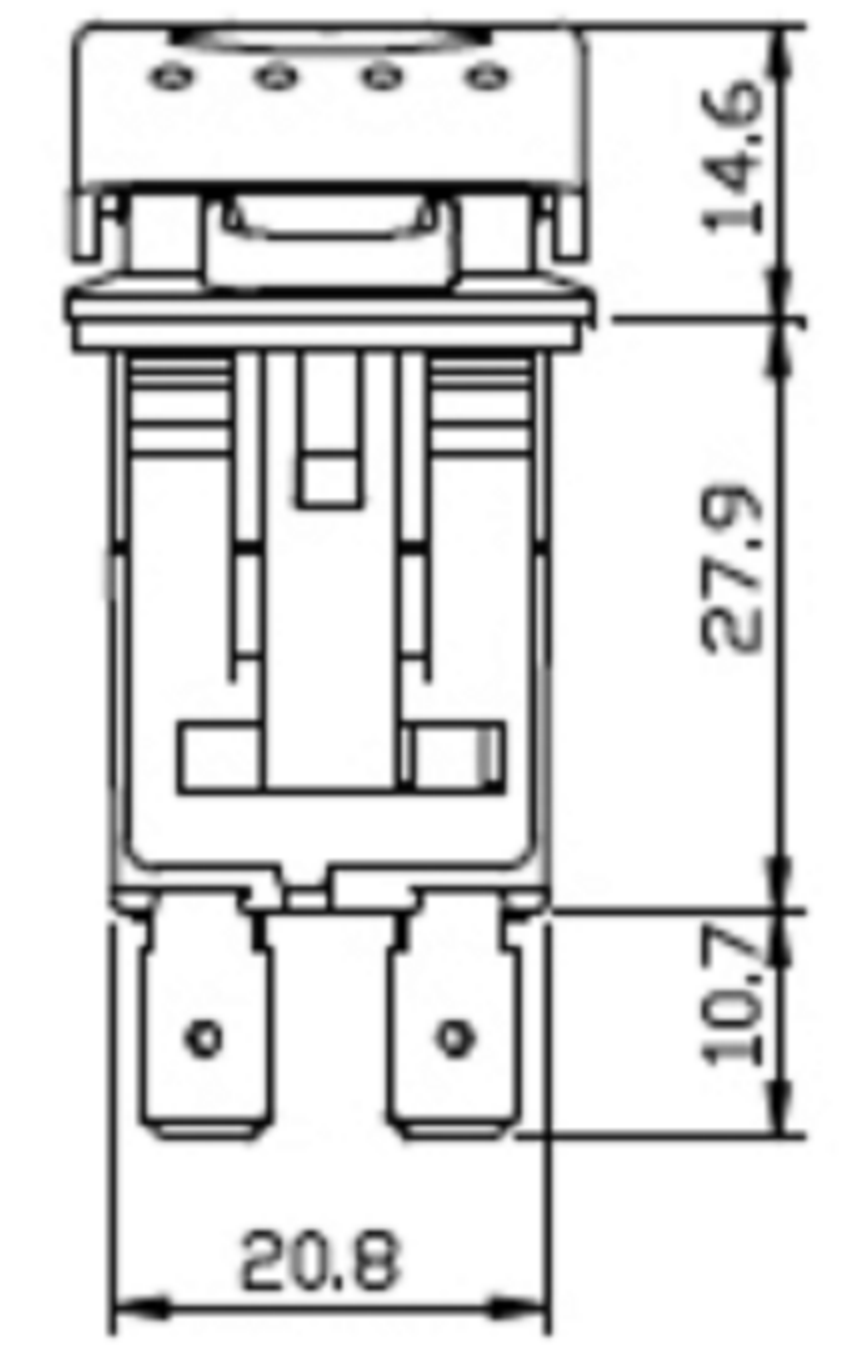
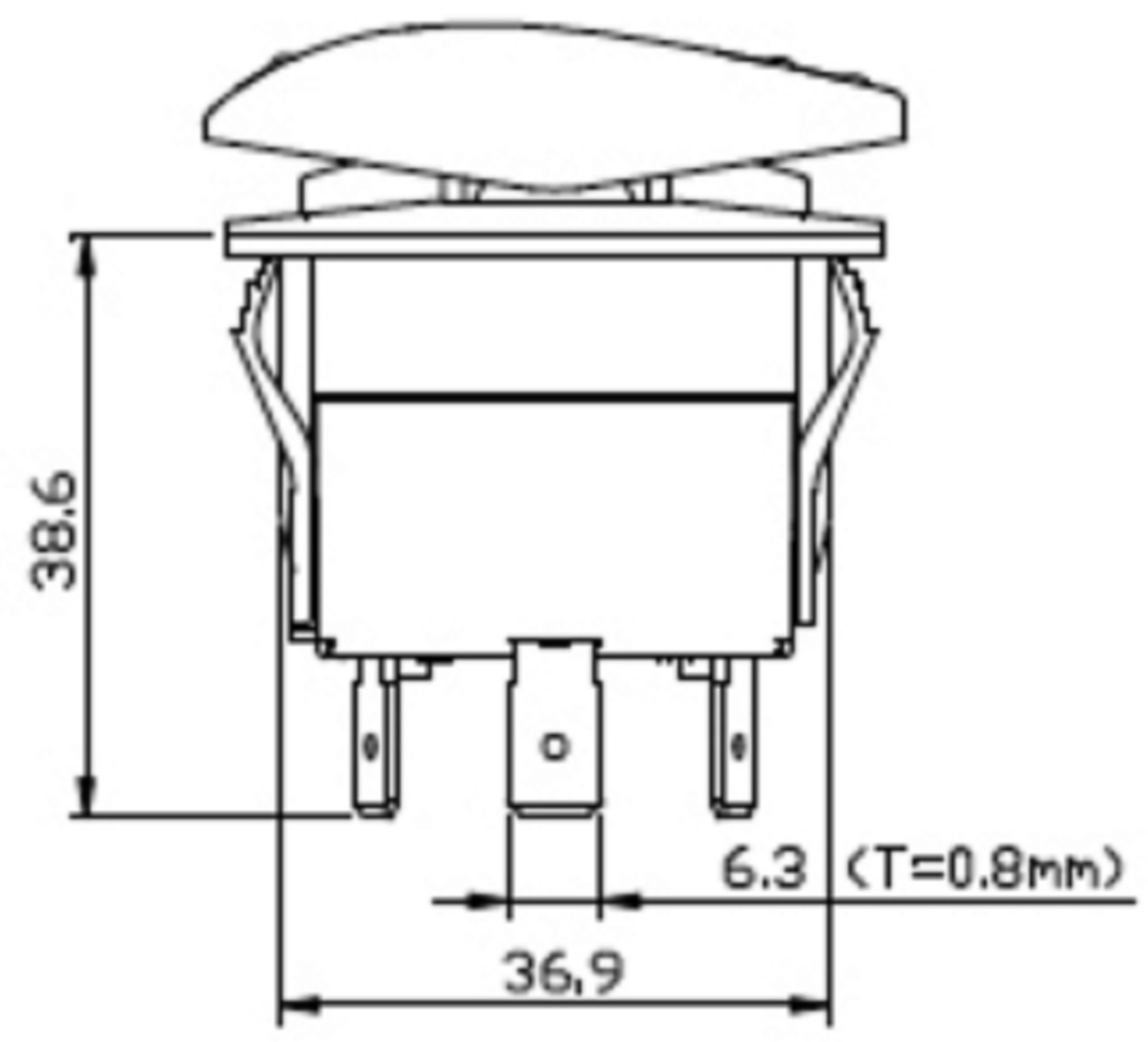
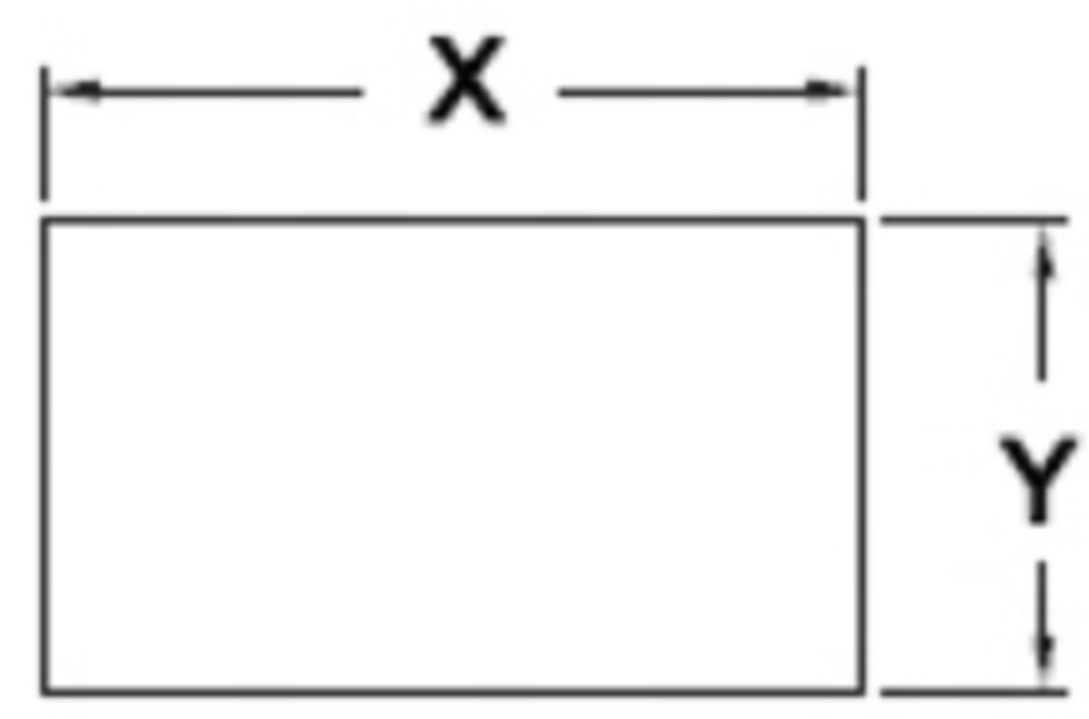
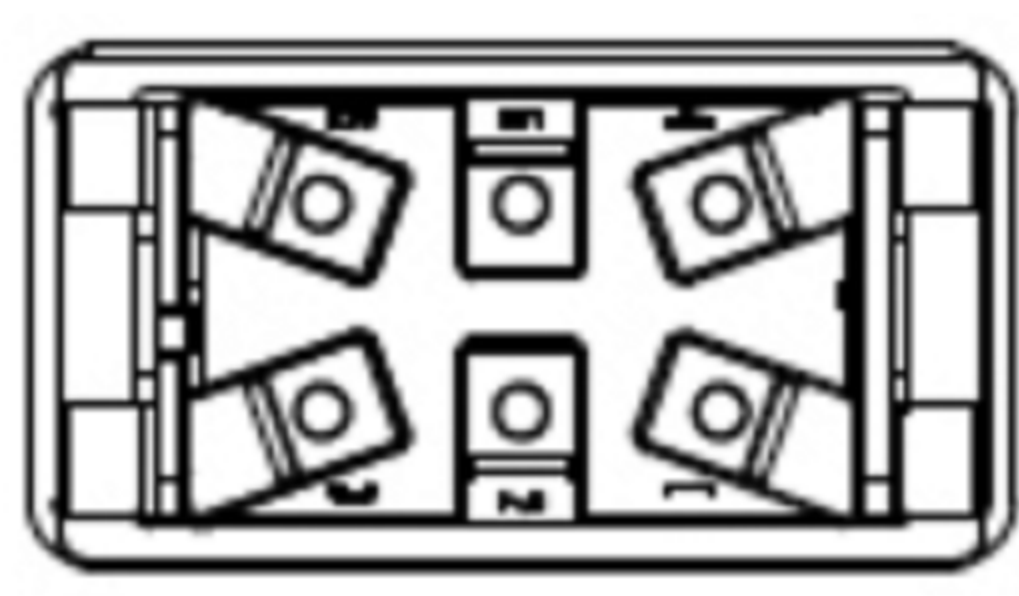


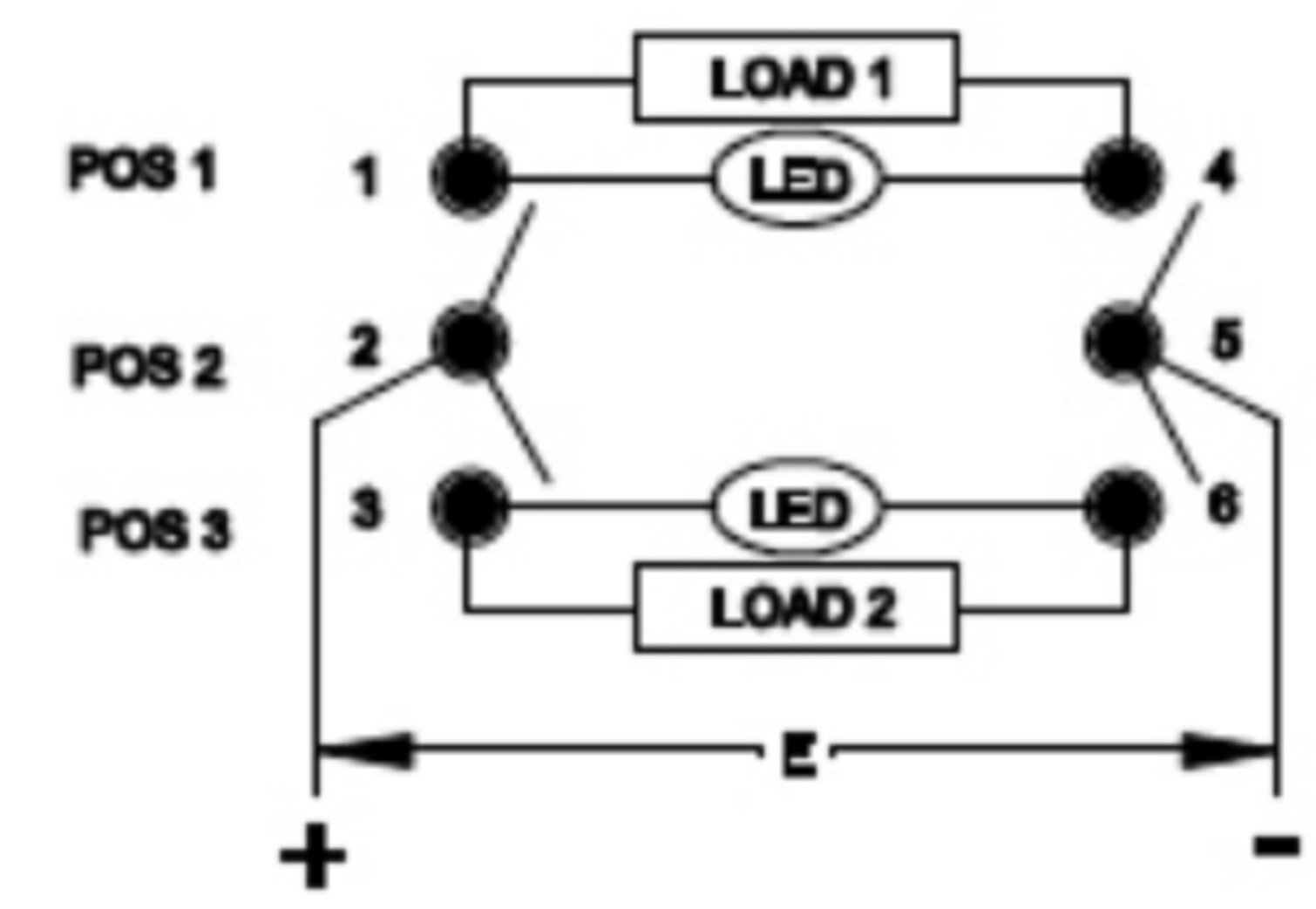
POS 1 POS 2 POS 3



Panel thickness	X	Y
1.0~1.5	37.3 ^{+0.0} _{-0.1}	21.2 ^{+0.1} _{-0.0}
2.5~3.0	37.5 ^{+0.0} _{-0.1}	21.2 ^{+0.1} _{-0.0}
3.5~4.5	37.7 ^{+0.0} _{-0.1}	21.2 ^{+0.1} _{-0.0}

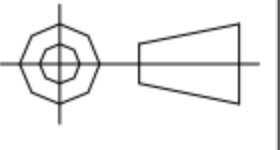


SWITCHING CIRCUIT:



 **广东科斯达电子科技有限公司**
GUANG DONG KE SI DA ELECTRONIC TECHNOLOGY CO., LTD.

TOLERANCE UNLESS OTHERWISE STATED: Up to 5 ±0.2, Above 5 ~ 15 ±0.3, Above 15 ~ 30 ±0.4, Above 30 ~ 50 ±0.5, Angle ±0.3

3RD. ANGEL'S  UNITS MM

DRAWN BY:	DATE	MAT'L	TITLE	SWITCH
Jack Lu	12/27/22		MODLE	TACT SWITCH WITH LED
CHECKED BY:	DATE	FINISH	DWG NO.	
Jacky Chen	12/27/22		PART NO.	
APPROVED BY:	DATE	SCALE	1 : 1	
Tony Kao	12/27/22	SHEET NO.	1 of 1	

ITEM NO.	DESCRIPTION	DRAWN	DATE

SIZE A4
VER R