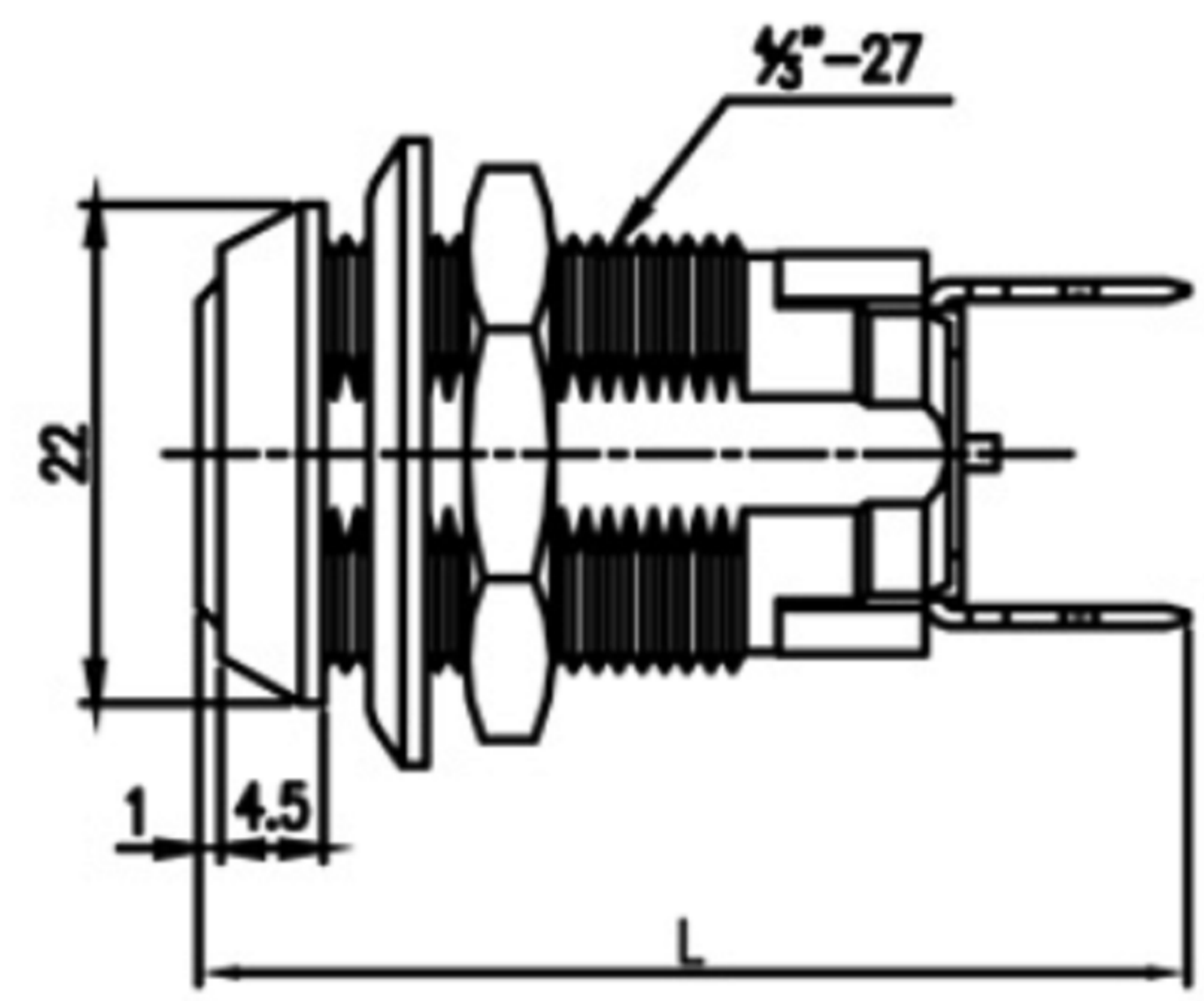
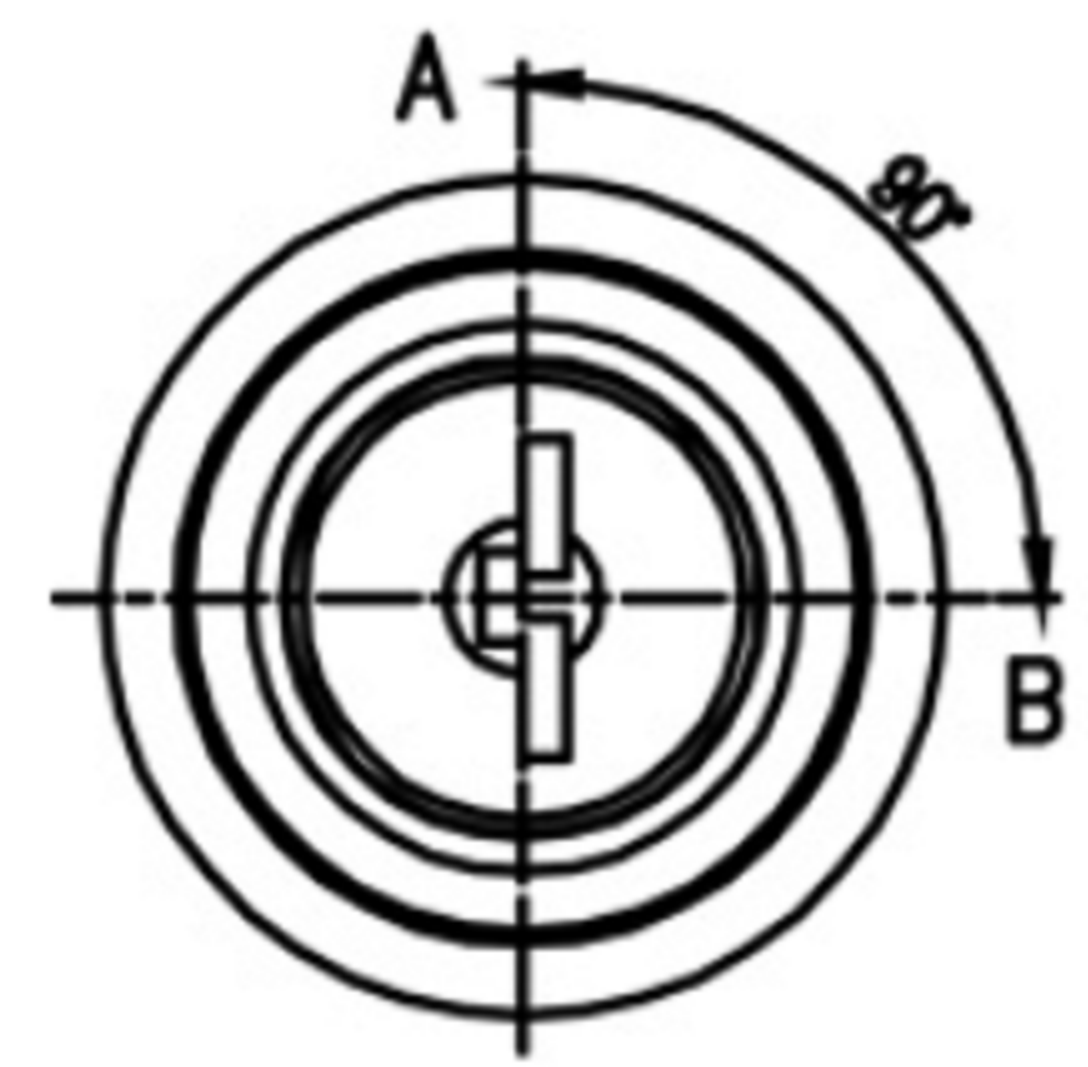
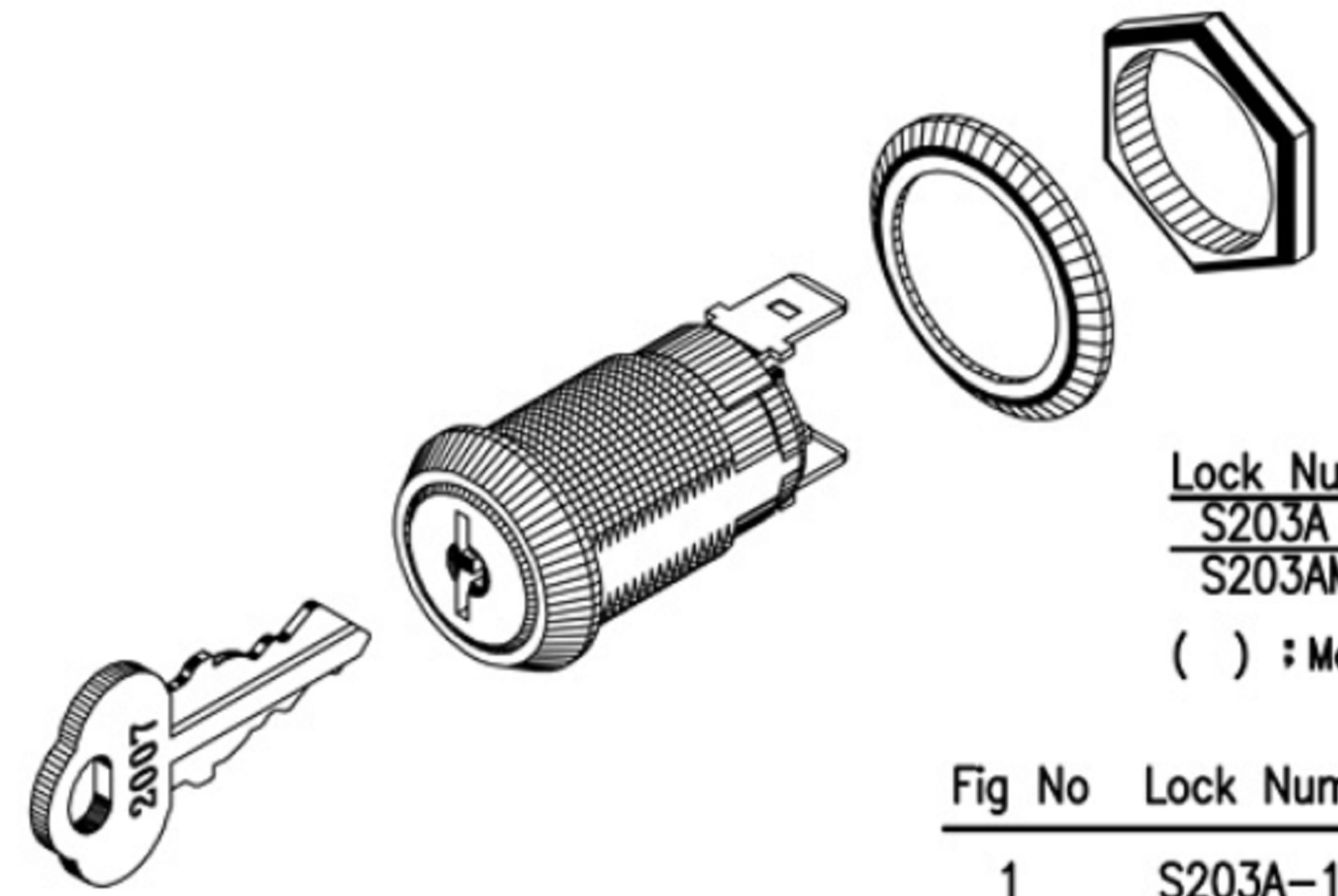
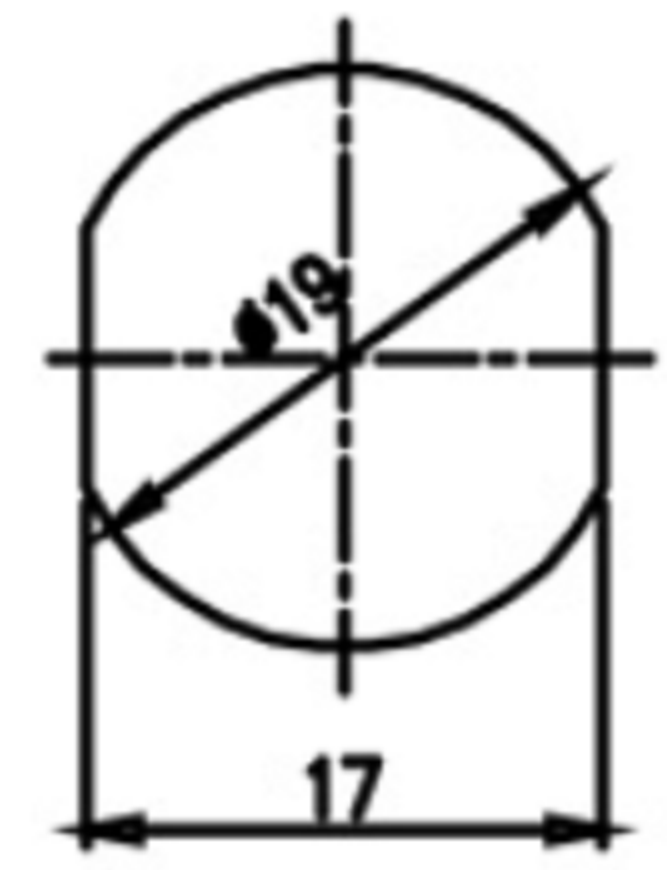




Unit: mm



Recommended hole size



| Lock Number | L1 |
|-------------|------|
| S203A | 43.4 |
| S203AM | 51.3 |

() : Momentary Contact



Fig.1

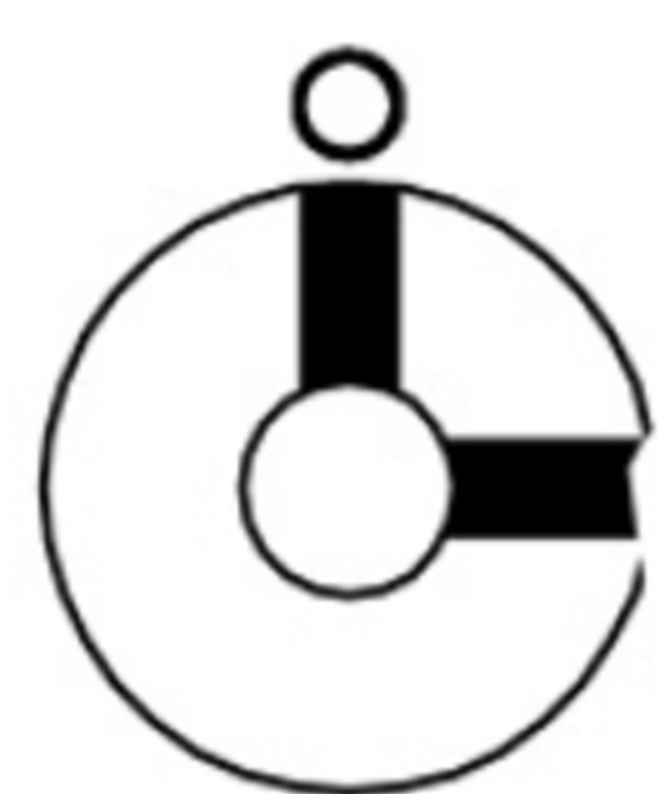


Fig.2

| Fig No | Lock Number | Pole | Positions | Terminals | Key Pulls | Turn | ⬆ | ⬆ | Type |
|--------|-------------|------|-----------|-----------|-----------|------|-----|------|------|
| 1 | S203A-1 | 1 | 2 | 2 | 1 | 90° | Off | On | SPST |
| 2 | S203A-2 | 1 | 2 | 2 | 2 | 90° | Off | On | SPST |
| 1 | S203MA | 1 | 2 | 2 | 1 | 90° | Off | (On) | SPST |

广东科斯达电子科技有限公司
GUANG DONG KE SI DA ELECTRONIC TECHNOLOGY CO., LTD.

TOLERANCE UNLESS OTHERWISE STATED: Up to 5 ±0.2, Above 5 ~ 15 ±0.3, Above 15 ~ 30 ±0.4, Above 30 ~ 50 ±0.5, Angle ±0.3
3RD. ANGEL'S
UNITS MM

| | | | |
|------------------------|----------------|------------------|-----------------------------|
| DRAWN BY: Jack Lu | DATE: 12/27/22 | MAT'L | TITLE: SWITCH |
| CHECKED BY: Jacky Chen | DATE: 12/27/22 | FINISH | MODLE: TACT SWITCH WITH LED |
| APPROVED BY: Tony Kao | DATE: 12/27/22 | SCALE: 1:1 | DWG NO. |
| | | SHEET NO. 1 of 1 | PART NO. |

| ITEM NO. | DESCRIPTION | DRAWN | DATE |
|----------|-------------|-------|------|
| | | | |

SIZE: A4
VER: R