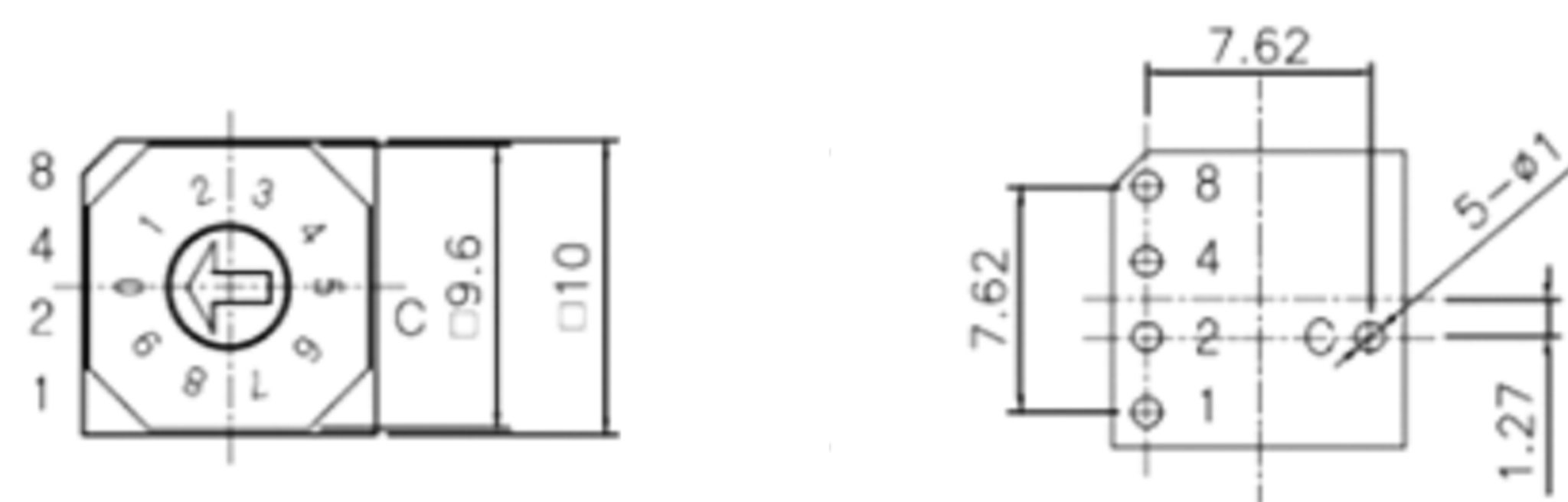
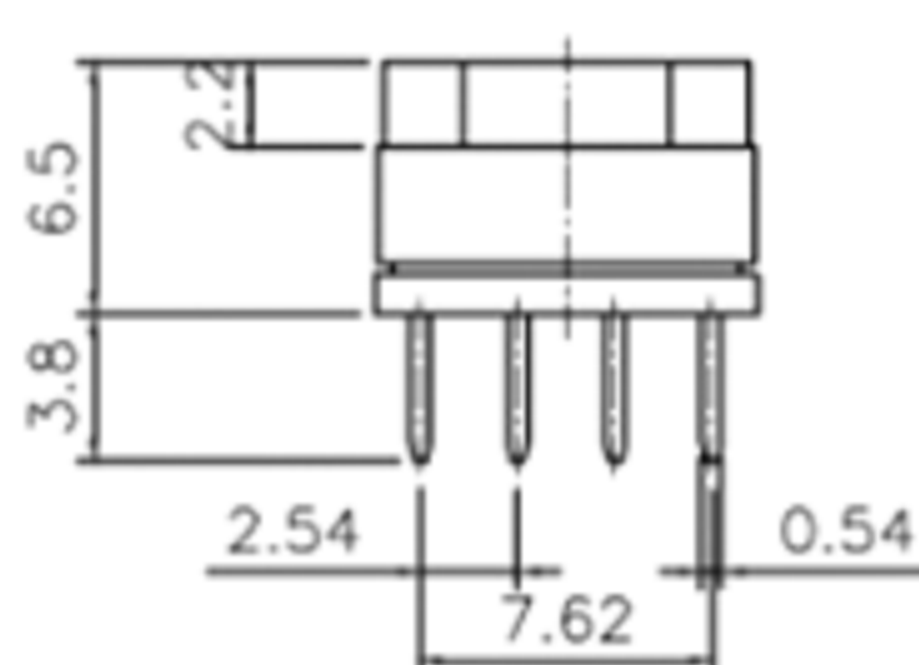
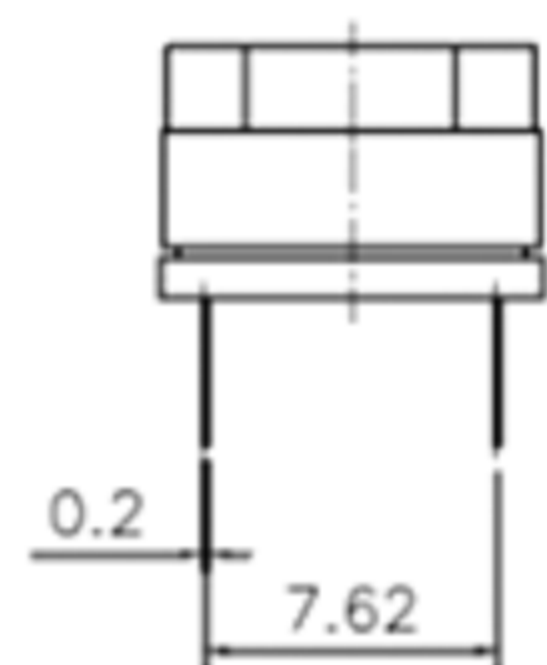




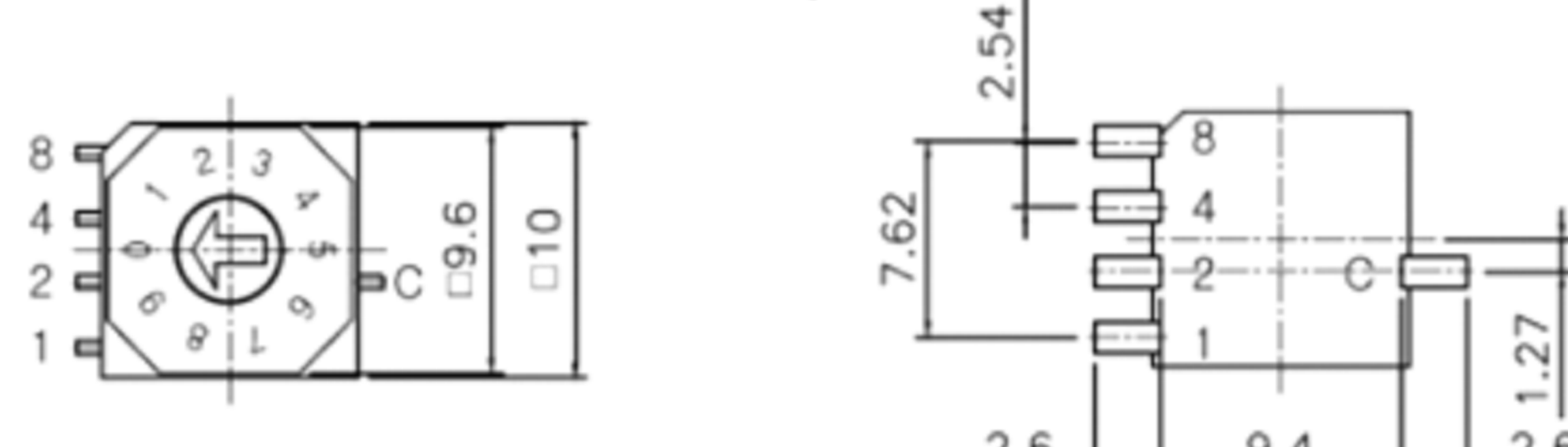
Through Hole Type Layout



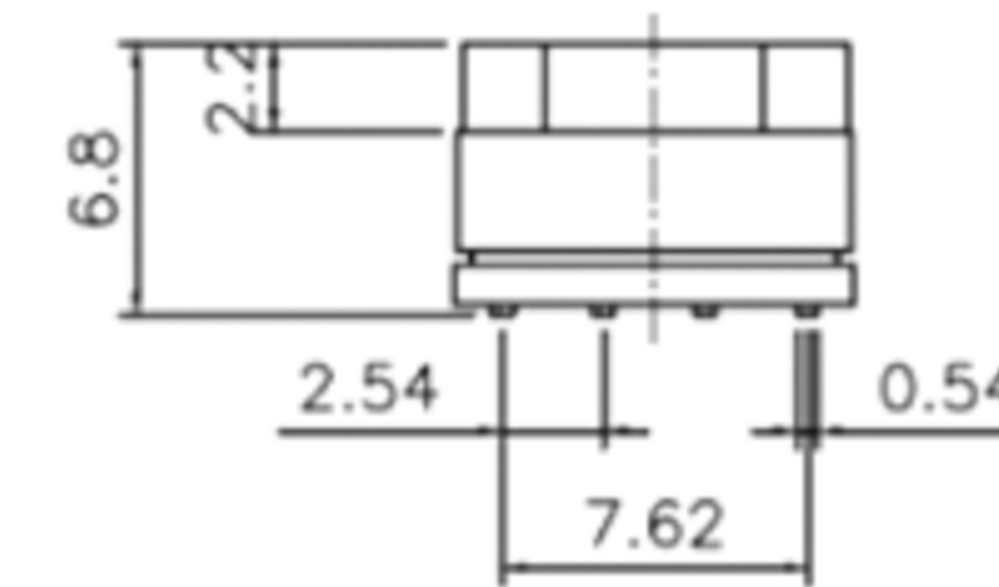
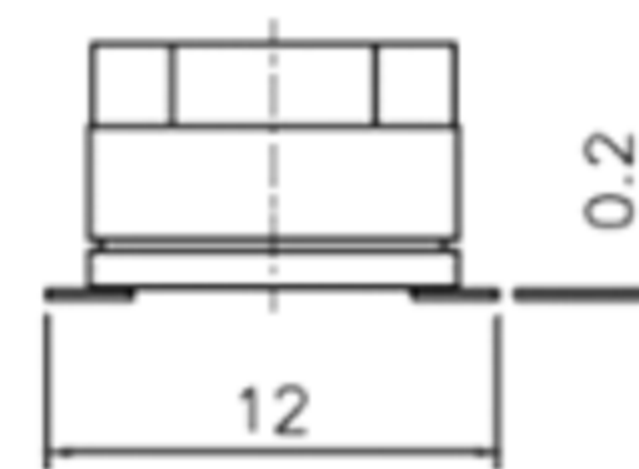
P.C.B DIMENSION (TOP VIEW)



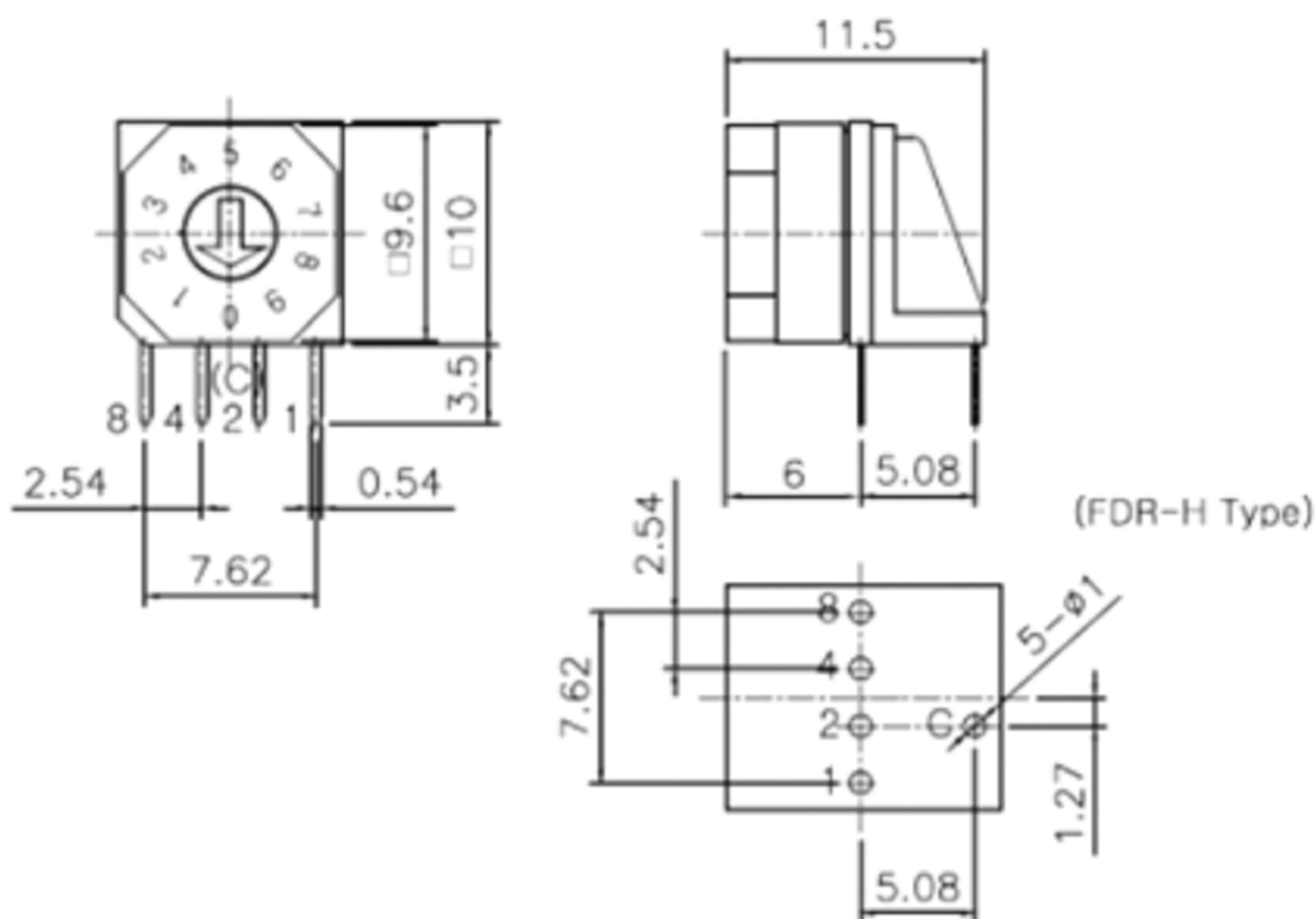
SMD Gull Wing Type Layout



P.C.B DIMENSION (TOP VIEW)

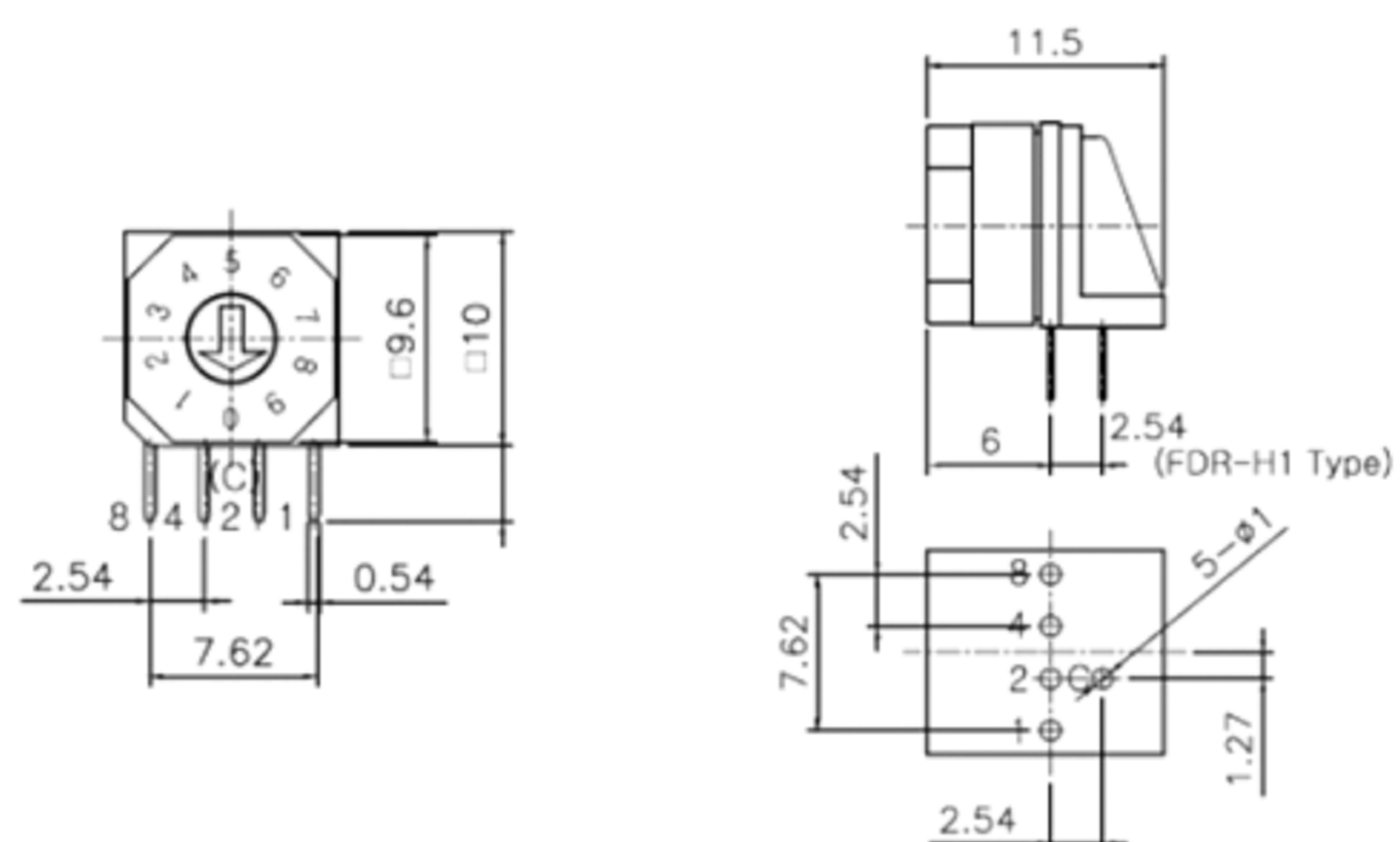


Angle Type Layout (H:5.08mm)



P.C.B DIMENSION (TOP VIEW)

Angle Type Layout (H1:2.54mm)



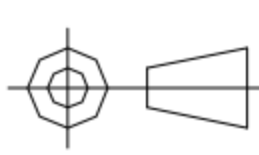
P.C.B DIMENSION (TOP VIEW)



广东科斯达电子科技有限公司
GUANG DONG KE SI DA ELECTRONIC TECHNOLOGY CO., LTD.

TOLERANCE UNLESS OTHERWISE STATED:
 Up to 5 ±0.2
 Above 5 ~ 15 ±0.3
 Above 15 ~ 30 ±0.4
 Above 30 ~ 50 ±0.5
 Angle ±0.3

3RD. ANGEL'S



UNITS MM

DRAWN BY: Jack Lu
 CHECKED BY: Jacky Chen
 APPROVED BY: Tony Kao
 DATE: 12/27/22

MAT'L	TITLE	SWITCH
FINISH	MODLE	TACT SWITCH WITH LED
SCALE	DWG NO.	
SHEET NO.	PART NO.	
1 : 1		
1 of 1		

SIZE A4
 VER R

ITEM NO.	DESCRIPTION	DRAWN	DATE