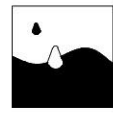
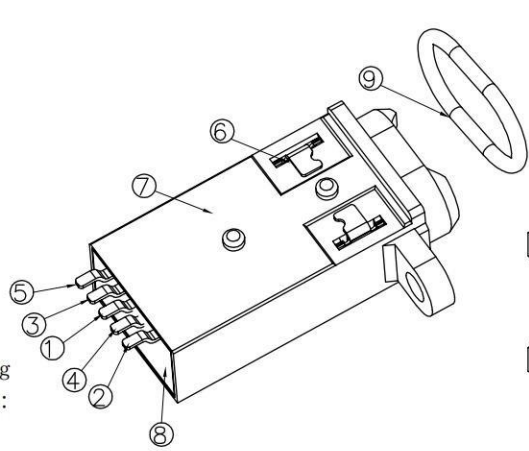
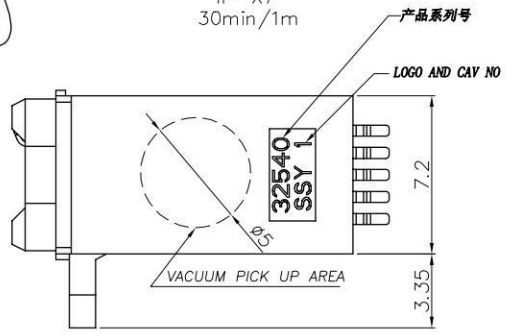


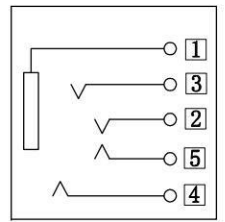
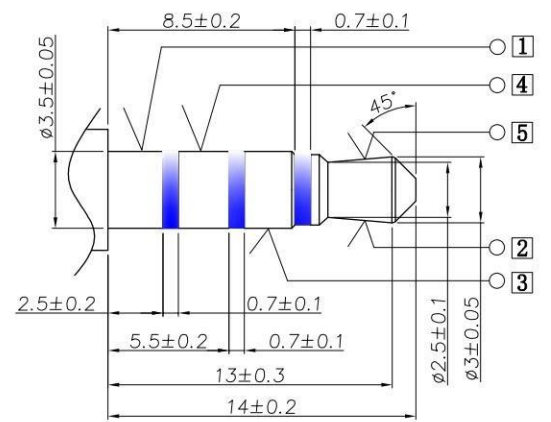
- (1) (2) (3) (4) (5) (6)
- (1) Series no.
 (2) Schematic type: A, B, C
 (3) Housing color:
 BK7=Black
 (4) Terminal plating:
 AU03=Plating AU 3u" min.
 (5) Packing mode:L=Reel packing
 (6) Environmental requirements:
 Rh=RoHS 2.0 + Halogen Free



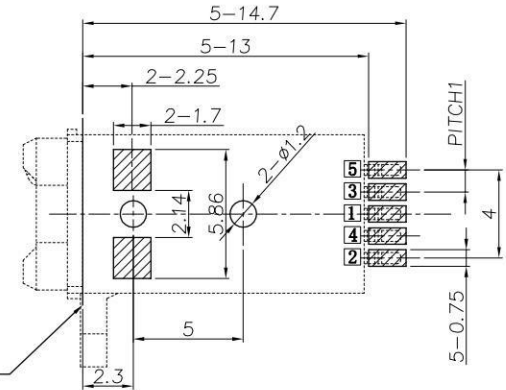
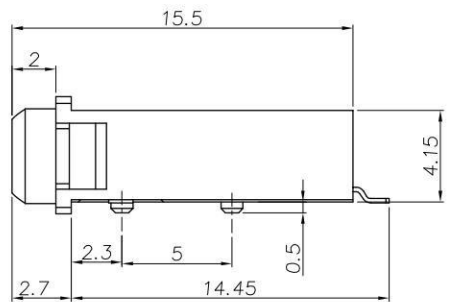
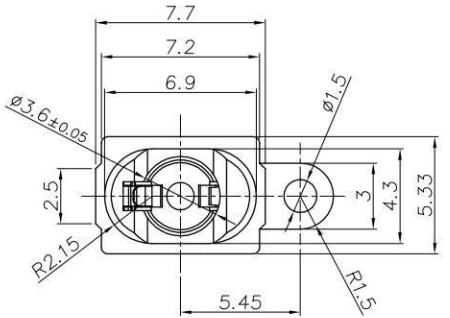
IP-X7
30min/1m



Matching Plug

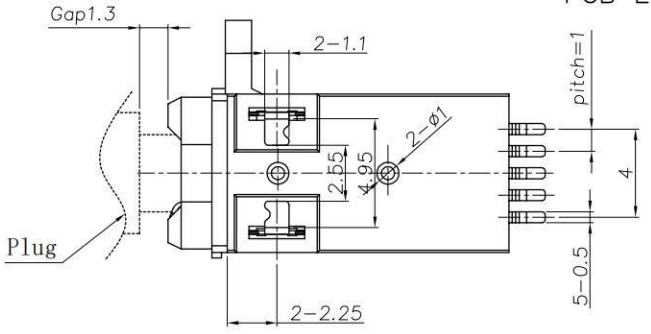


Circuit Diagram



SPECIFICATION:

- Electrical characteristics
 - Current rating:DC 0.5A max.
 - Voltage rating:DC 30V.
 - Contact resistance:50mΩ max
 - Insulation resistance:1000MΩ min. at 500V DC.
 - Withstanding voltage:500V AC for 1 minute.
- Mechanical characteristics
 - Life test:5000 cycles min,
 - Mating force:3~30N,
Unmating force:3~30N.
- Temperature range: -40° C~+80° C
- Dustproof and waterproof grade: IP67



RECOMMENDED P. C. B LAYOUT
TOP VIEW (TOLRANCE: ±0.05)

NO.	DESCRIPTION	QTY	MATERIAL	REMARK
9	Rubber ring	1	Silica Gel	White
8	cover	1	HIGH TEMPERATURE PLASTIC	Black
7	Housing	1	HIGH TEMPERATURE PLASTIC	Black
6	Shunt	2	Phosphor bronze, 0.15t	
5	Tip spring [5]	1	Phosphor bronze, 0.20t	3u"Au on Contact Area
4	Ring spring [4]	1	Phosphor bronze, 0.20t	And Gold Flash On
3	Ring spring [3]	1	Phosphor bronze, 0.20t	Other Area.
2	Tip spring [2]	1	Phosphor bronze, 0.20t	
1	Earth spring [1]	1	Phosphor bronze, 0.20t	

ECN NO.	REV	DATE	DESCRIPTION	CHANGE	APPRO.	GENERAL TOLERANCE UNLESS OTHERWISE NOTED	SCALE: 3:1	UNIT:mm	A4	SHEET:1 of 1
	A-0		NEW			Angle ±2° 10<L≤20 ±0.3 5<L≤10 ±0.25 L≤5 ±0.20	DESIGN CHECK APPROVAL			

广东科斯达电子科技有限公司
KSDKG Guang dong Keside Electronic Technology Co., Ltd.

TITLE: Ø3.5mm PHONE JACK
 MODEL NO.
 FILE NO.