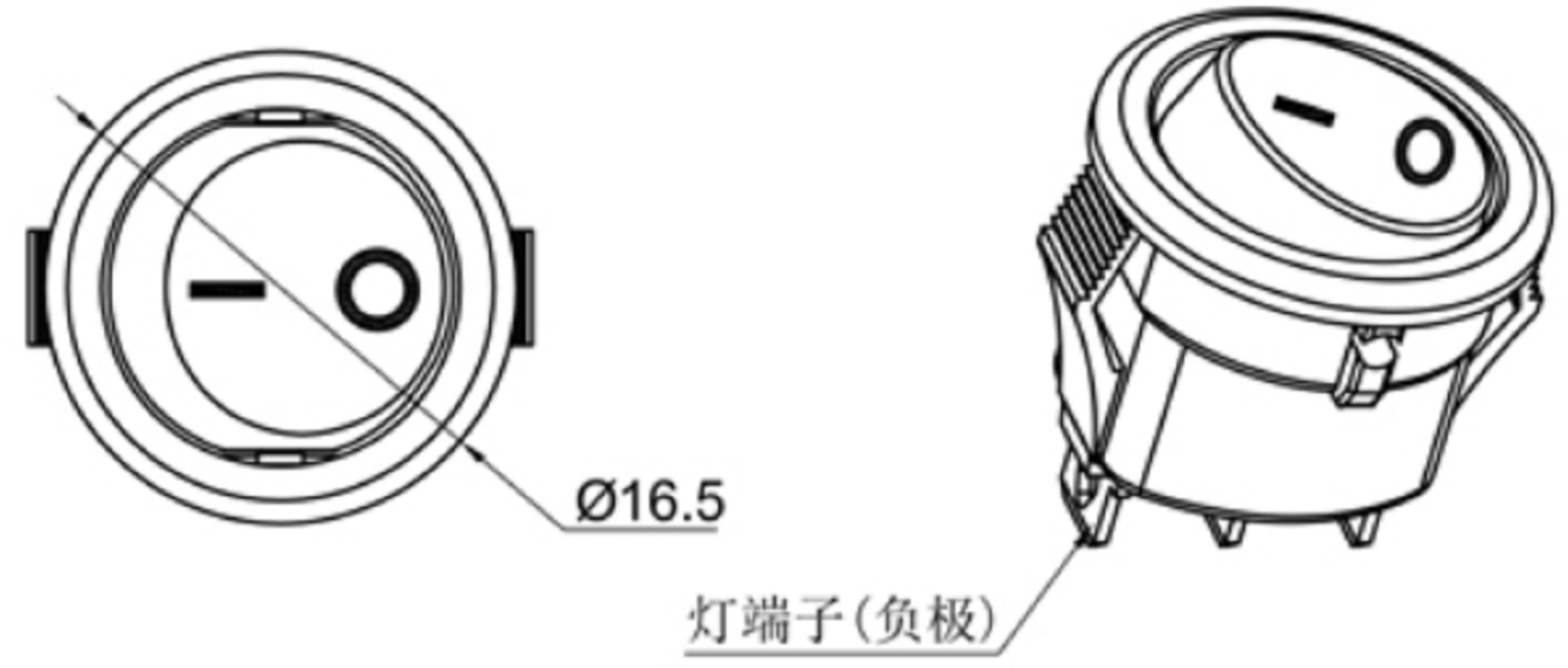


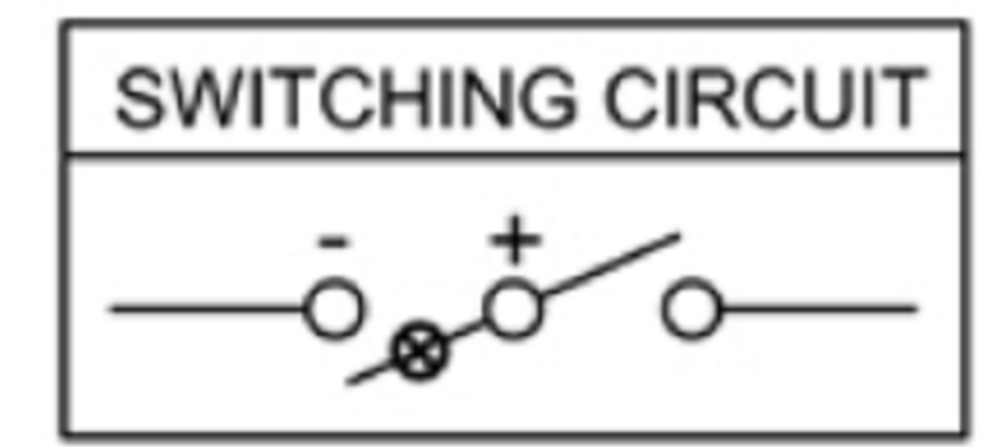
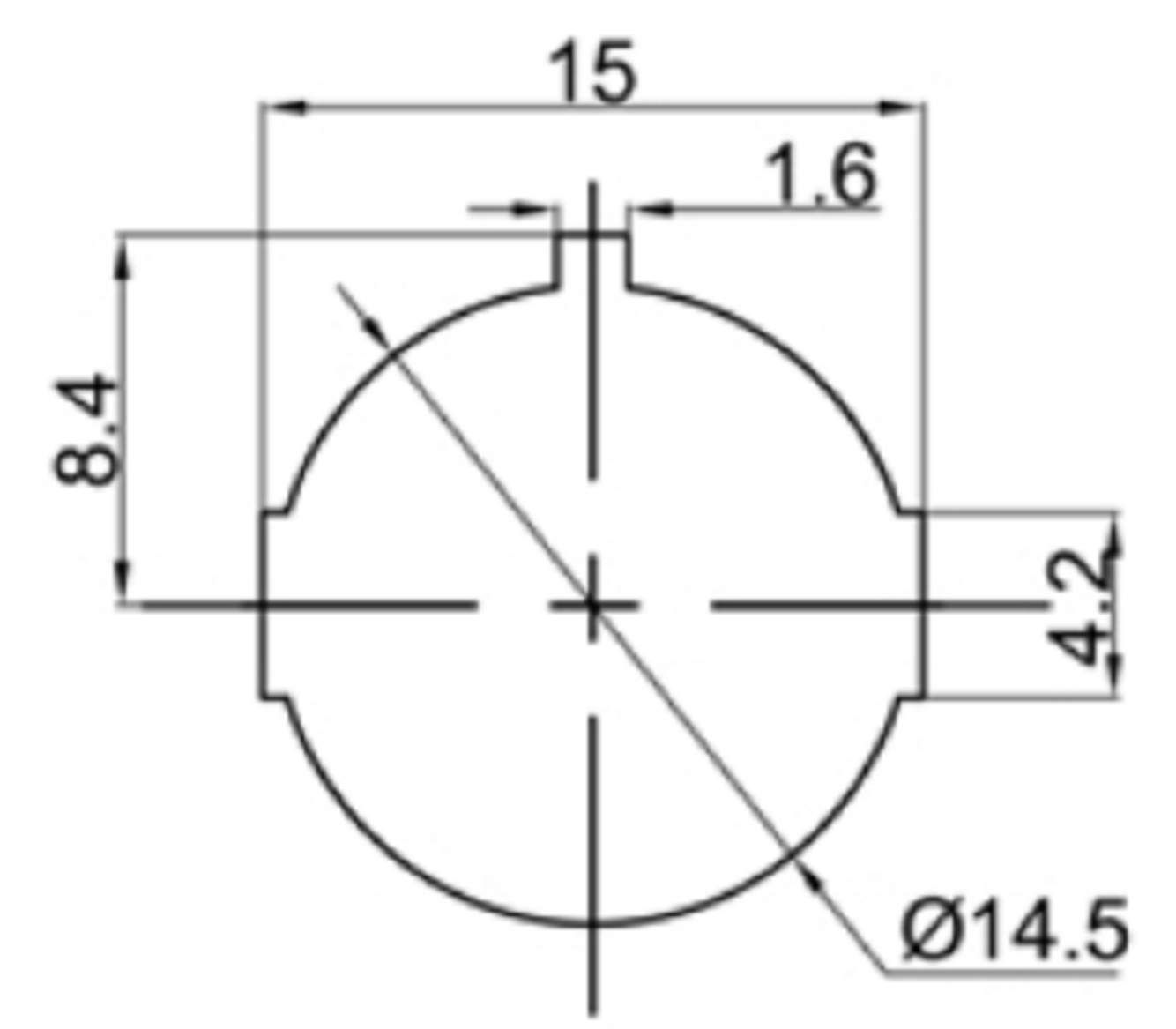
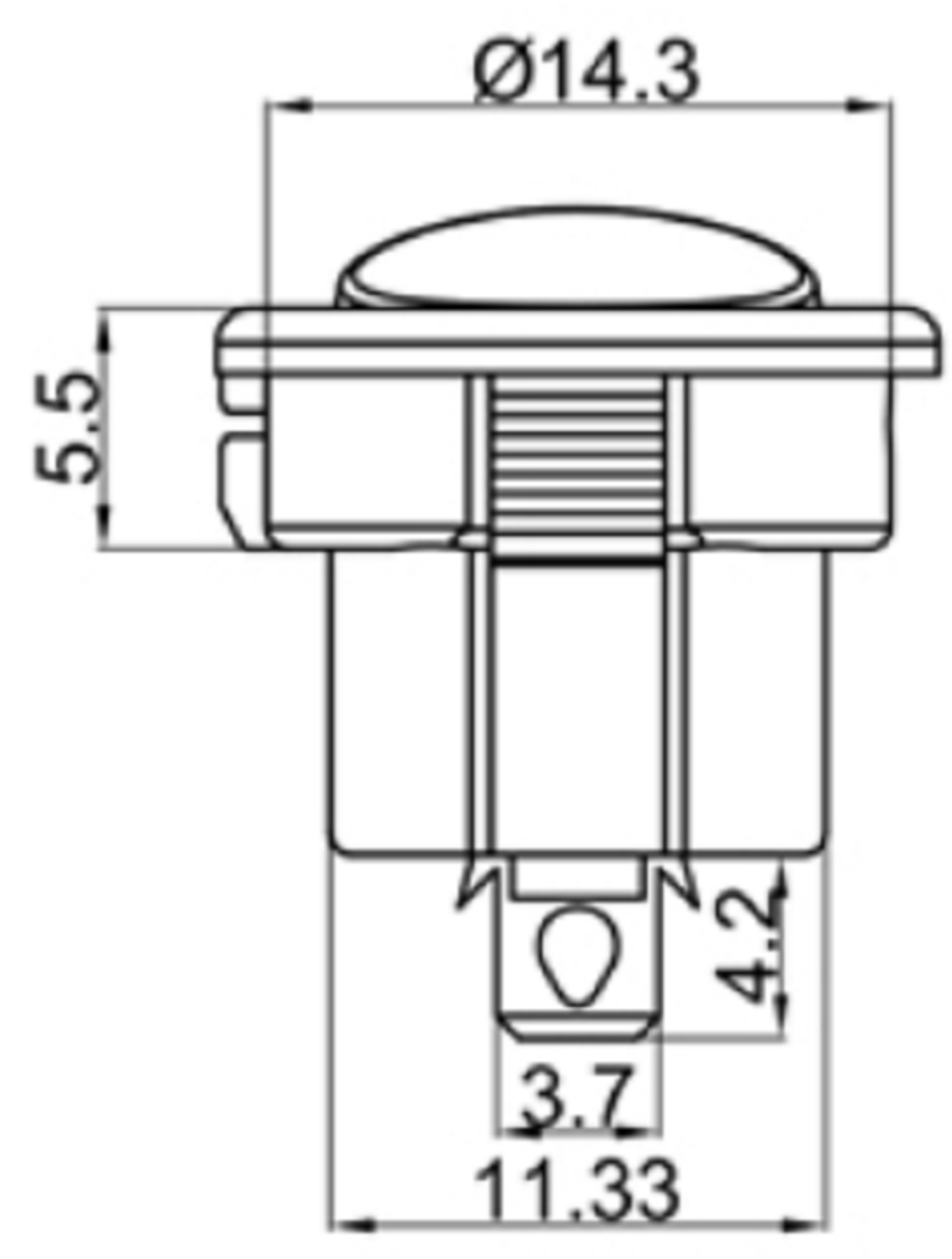
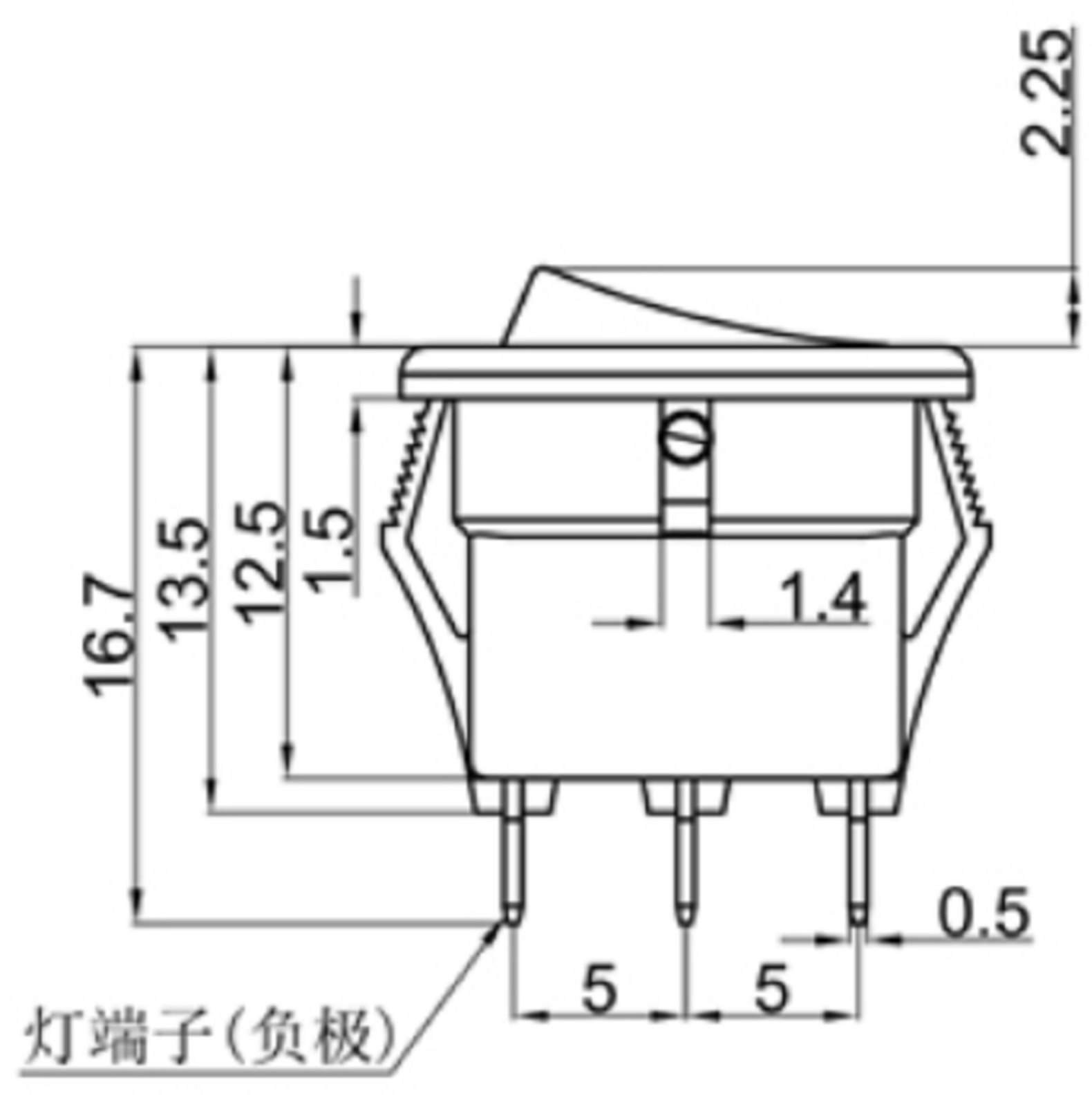


Rating: 6A 125VAC
3A 250VAC

Contact Resistance: 50mΩ max
Insulation Resistance: DC 500V 100MΩ min
Dielectric Strength: AC 1500V 1 minute
Operating Force: 250± 100gf
Mechanical Life: 50,000 cycles
Load Life: 10,000 cycles
Operating Temperature: 0°C~85°C



CUT-OUT



LED Specifications

W	白色	3.0	3.2	3.4	15
U	蓝色	3.0	3.2	3.4	15
G	纯绿色	3.0	3.2	3.4	15
Y	黄色	1.8	2.0	2.4	15
R	红色	1.8	2.0	2.4	15
灯发光颜色 X		最小	一般	最大	额定
Emitted color X		顺向电压(V)			电流(mA)

X	0	1	2	3	4	5
Marking	None					

广东科斯达电子科技有限公司
GUANG DONG KE SI DA ELECTRONIC TECHNOLOGY CO., LTD.

TOLERANCE UNLESS OTHERWISE STATED:
Up to 5 ±0.2
Above 5 ~ 15 ±0.3
Above 15 ~ 30 ±0.4
Above 30 ~ 50 ±0.5
Angle ±0.3

3RD. ANGEL'S

UNITS MM

DRAWN BY:	DATE	MAT'L	TITLE	SWITCH
Jack Lu	12/27/22		MODLE	TACT SWITCH WITH LED
CHECKED BY:	DATE	FINISH	DWG NO.	
Jacky Chen	12/27/22		PART NO.	
APPROVED BY:	DATE	SCALE	1:1	
Tony Kao	12/27/22	SHEET NO.	1 of 1	

ITEM NO.	DESCRIPTION	DRAWN	DATE