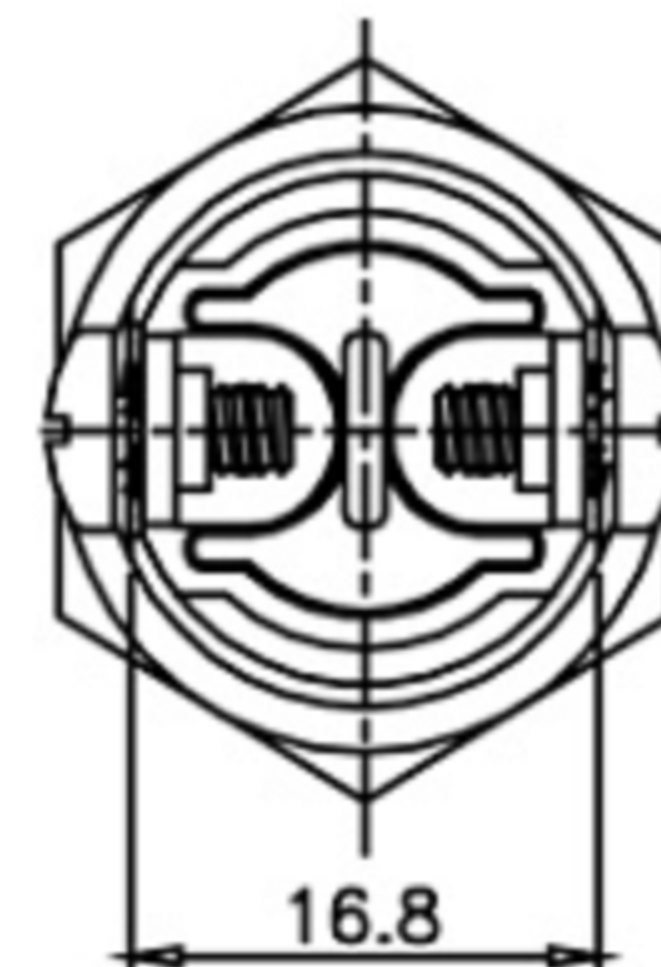
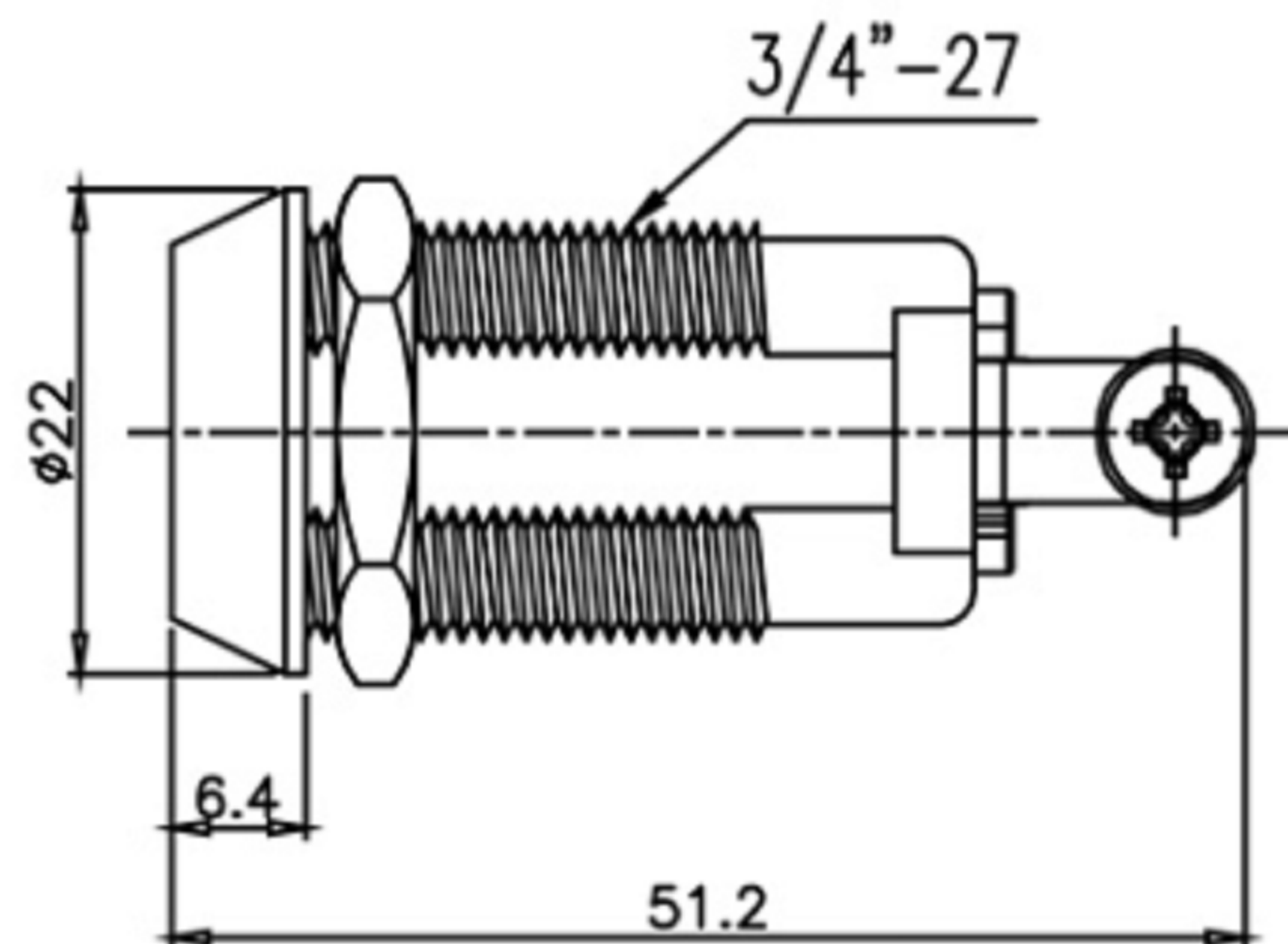
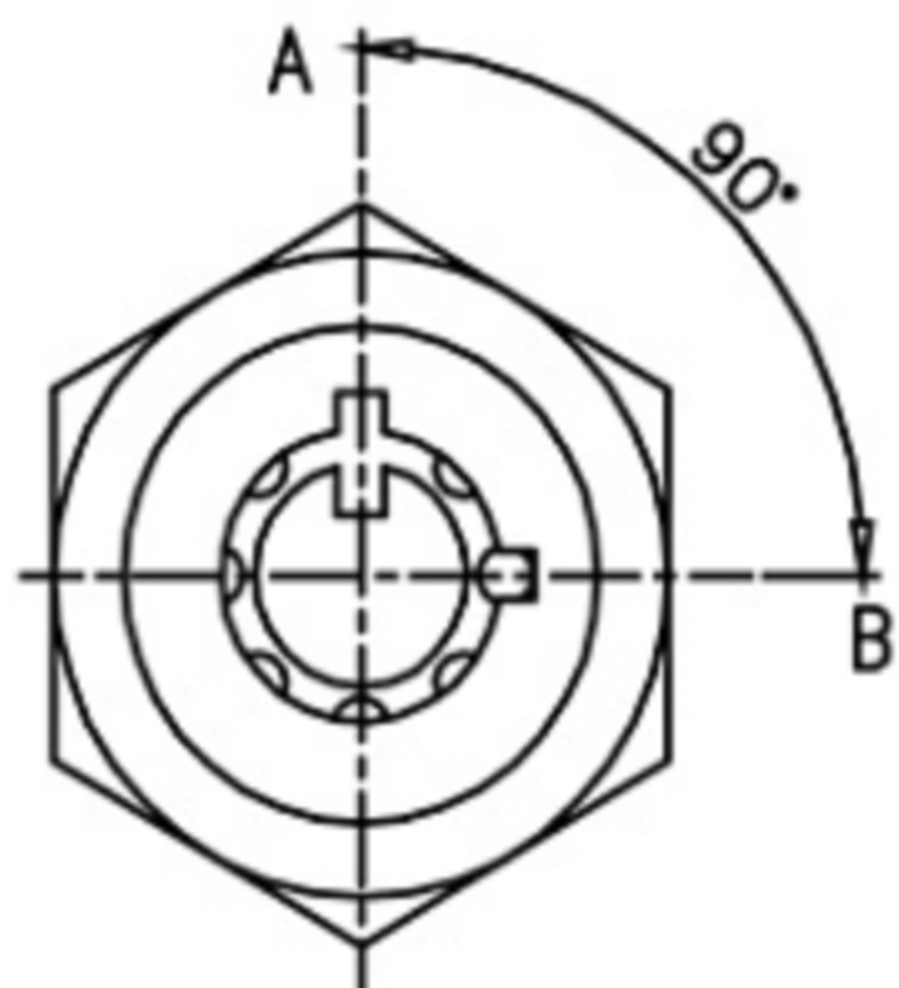




Unit: mm



Recommended hole size

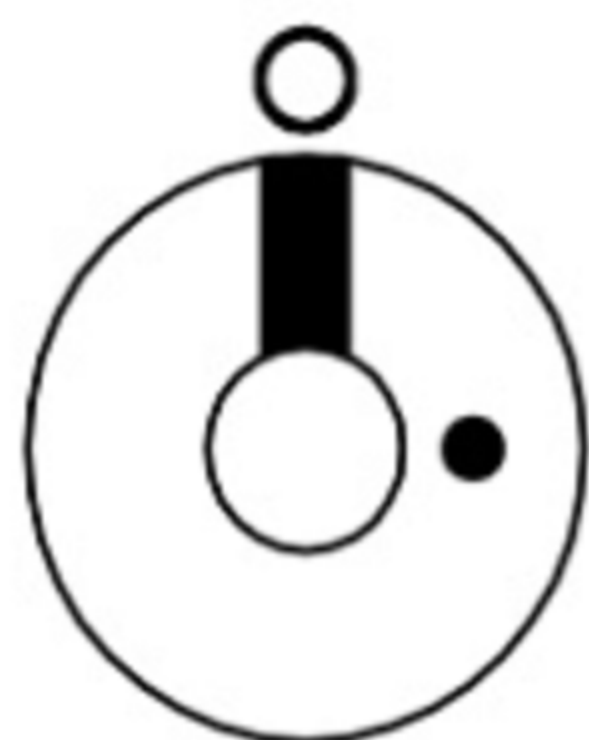


Fig.1

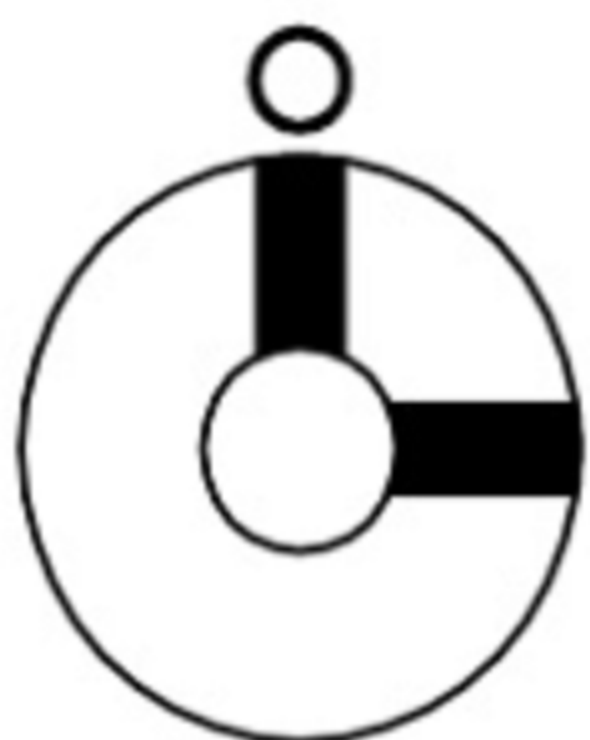


Fig.2

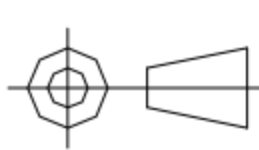
Fig No	Lock Number	Pole	Positions	Terminols	Key Pulls	Turn	⬆	➡	Type
1	S2123-1	1	2	2	1	90°	Off	On	SPST
2	S2123-2	1	2	2	2	90°	Off	On	SPST
1	S2123A	1	2	2	1	90°	Off	(On)	SPST

( ) : Momentary Contact



TOLERANCE UNLESS OTHERWISE STATED: Up to 5 ±0.2, Above 5 ~ 15 ±0.3, Above 15 ~ 30 ±0.4, Above 30 ~ 50 ±0.5, Angle ±0.3

3RD. ANGEL'S



UNITS MM

DRAWN BY:	DATE	MAT'L	TITLE	SWITCH
Jack Lu	12/27/22			
CHECKED BY:	DATE	FINISH	MODLE	TACT SWITCH WITH LED
Jacky Chen	12/27/22			
APPROVED BY:	DATE	SCALE	DWG NO.	
Tony Kao	12/27/22	1 : 1		
		SHEET NO.	PART NO.	
		1 of 1		

ITEM NO.	DESCRIPTION	DRAWN	DATE

SIZE A4  
VER R