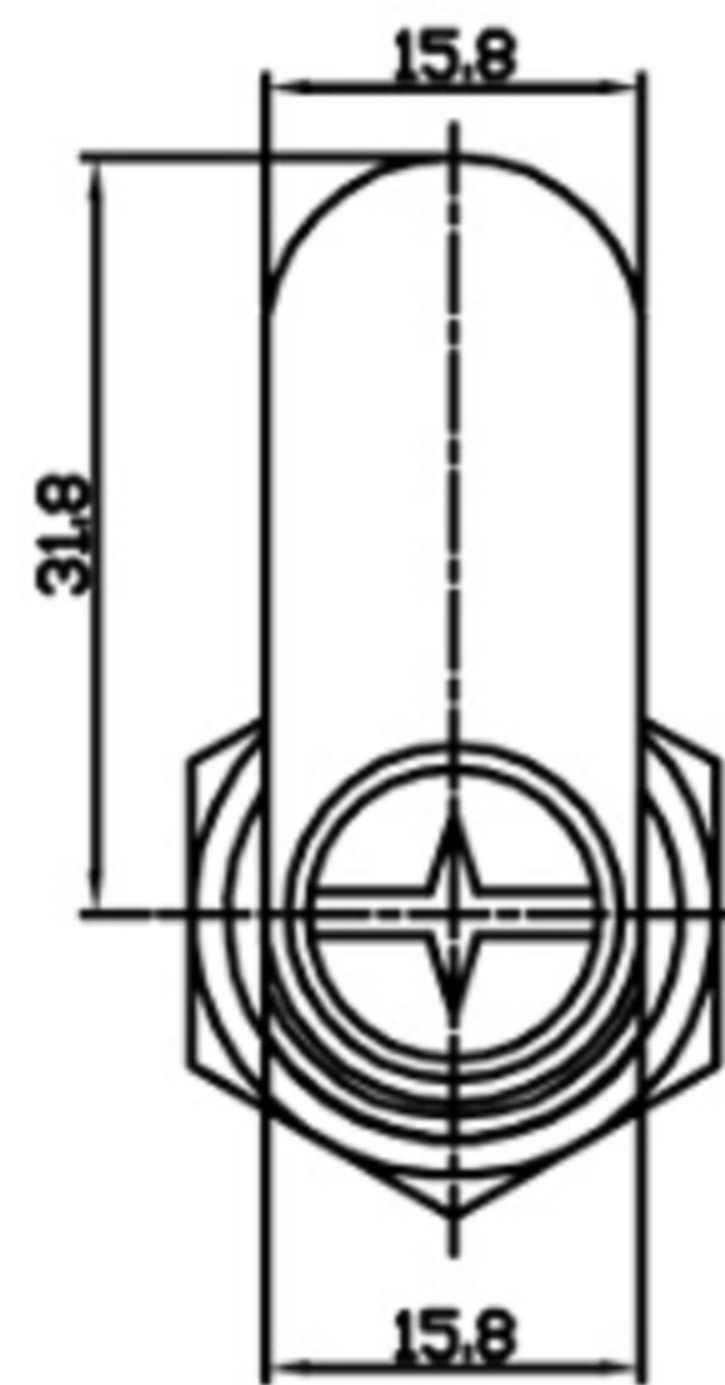
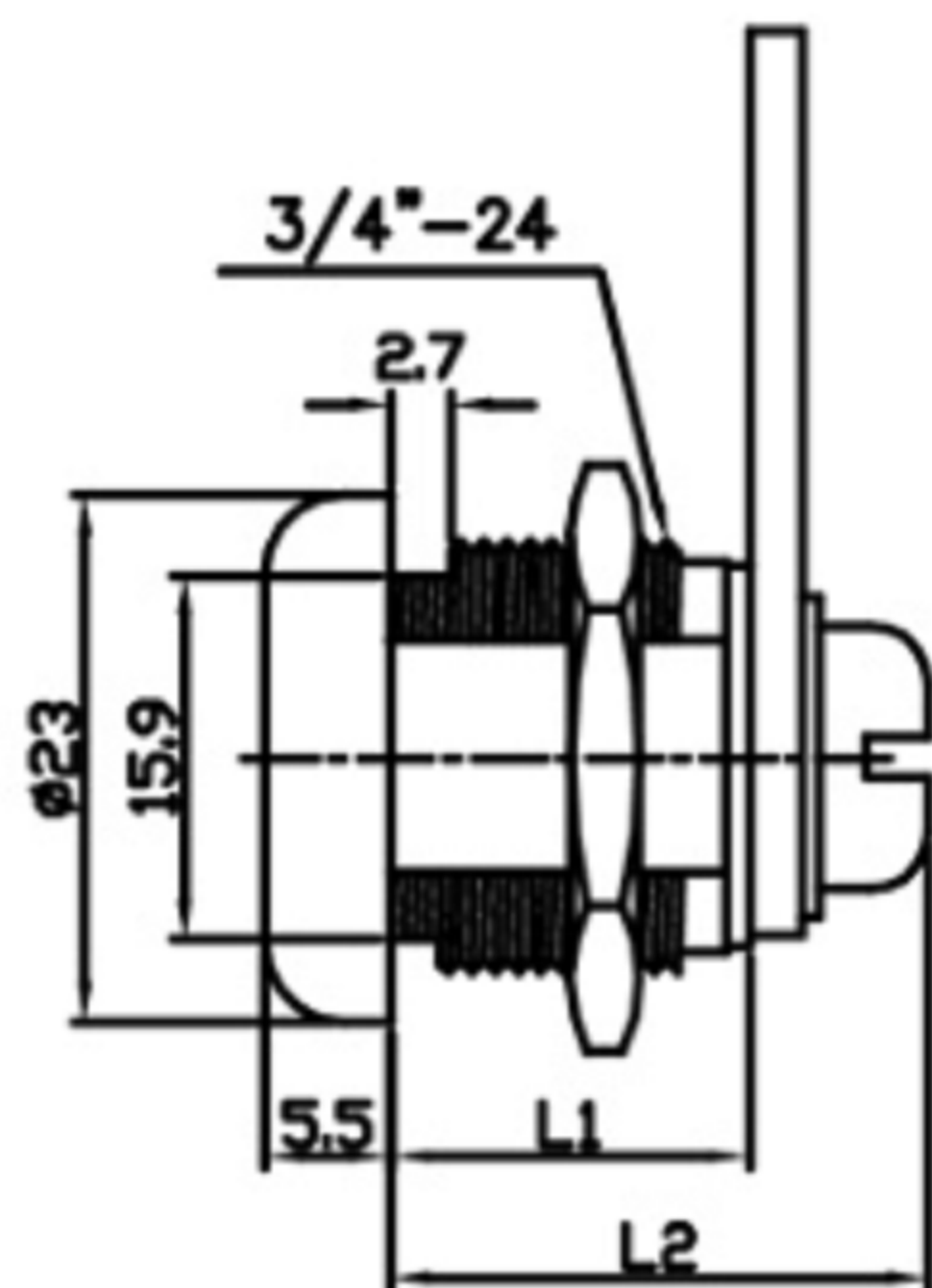
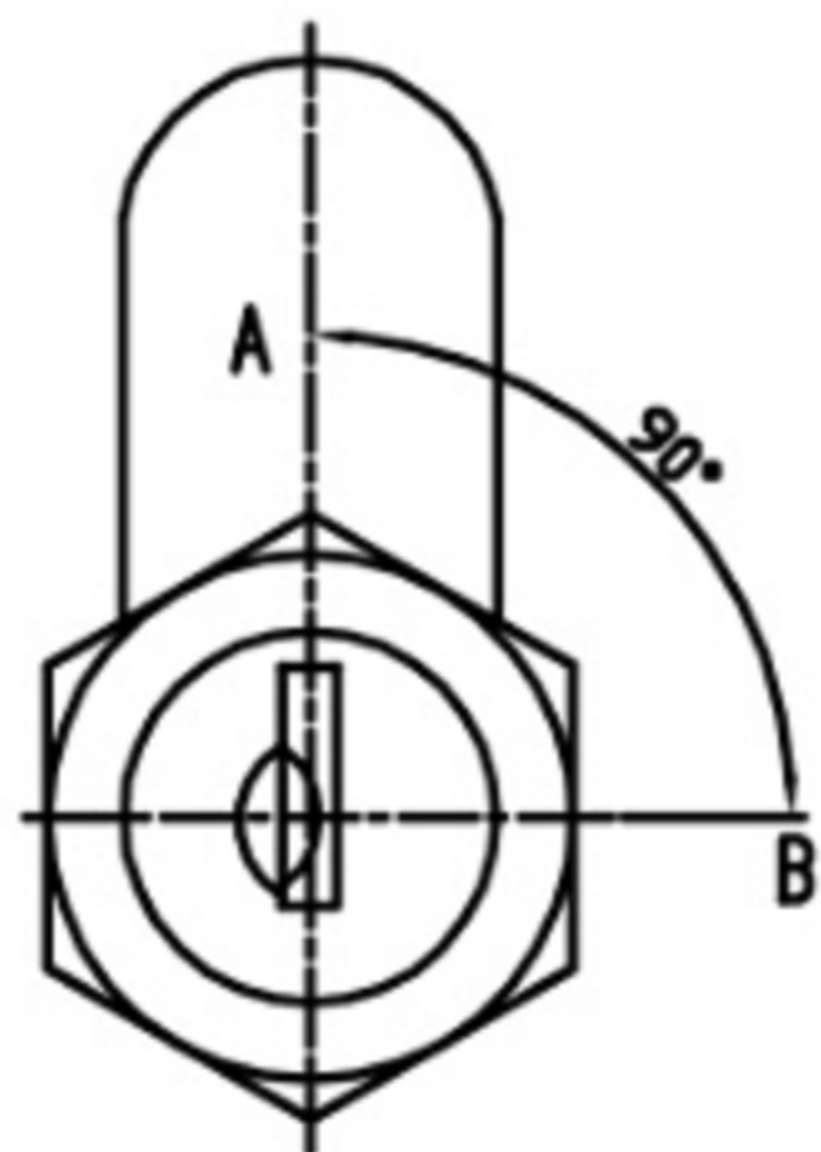




Unit: mm



Recommended hole size

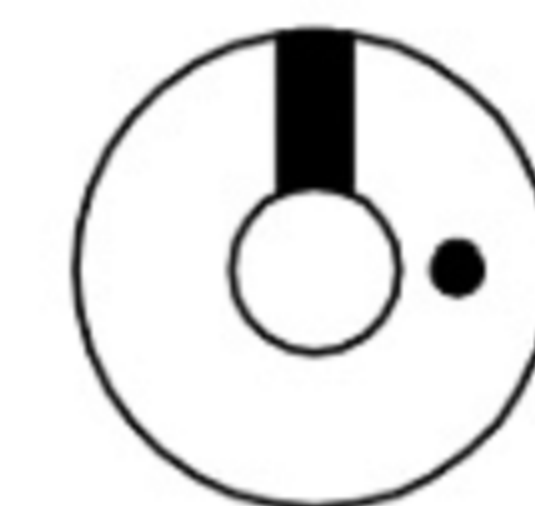
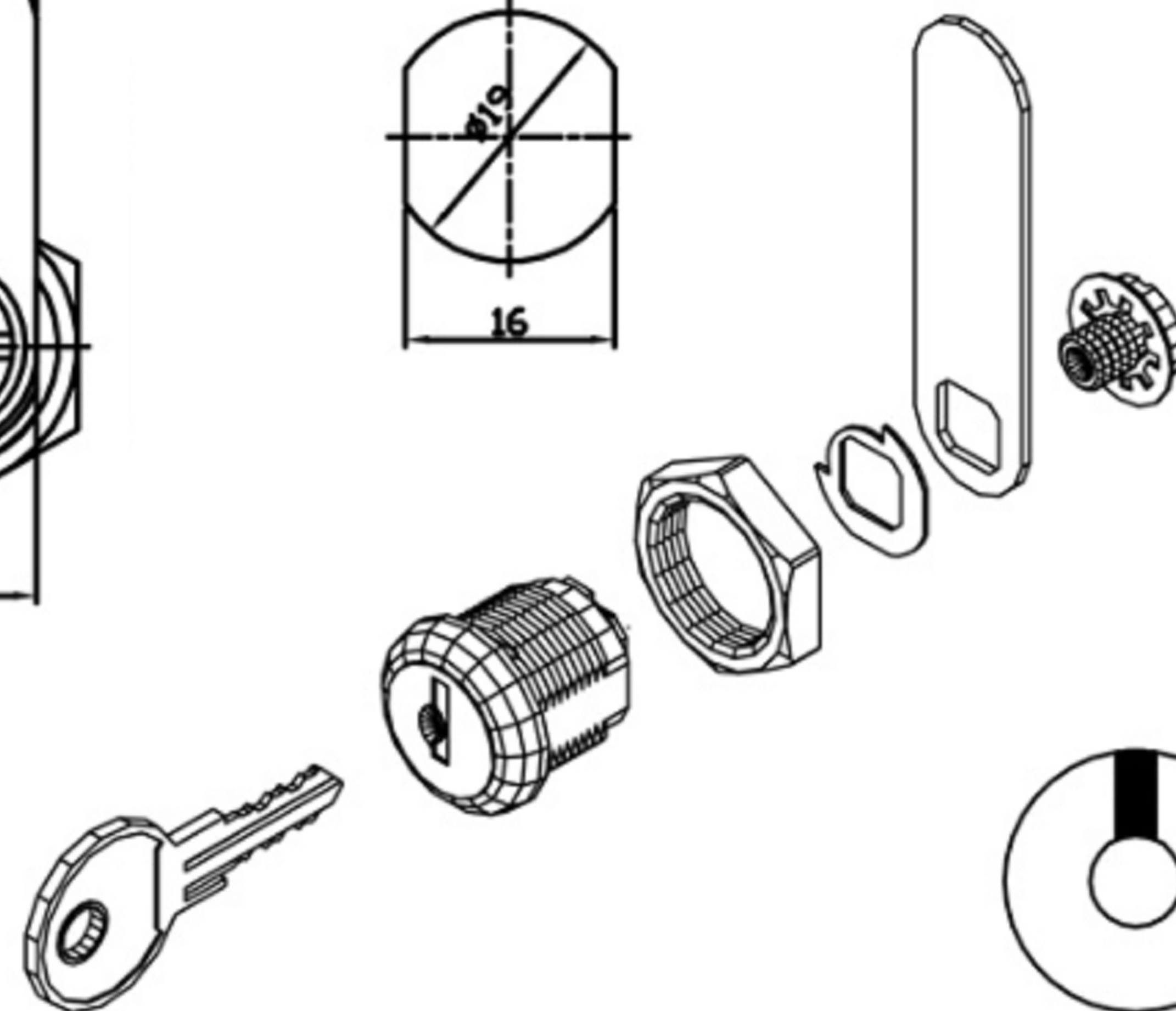


Fig.1

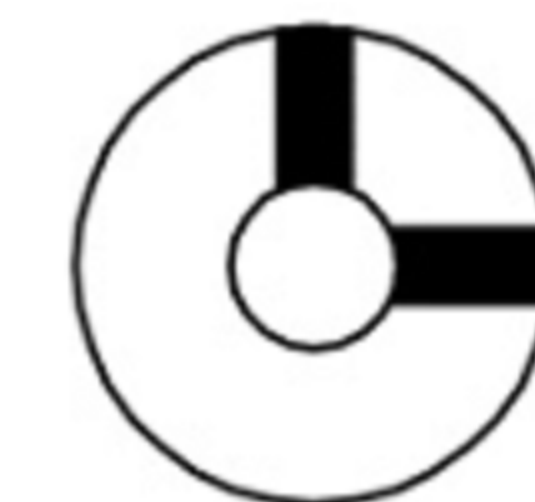


Fig.2

Fig No	Lock Number	Positions	Key Pulls	Turn
1	C626S-1-D	2	1	90°
1	C626M-1-D	2	1	90°
1	C626XL-1-D	2	1	90°
2	C626S-2-D	2	2	90°
2	C626M-2-D	2	2	90°
2	C626XL-2-D	2	2	90°

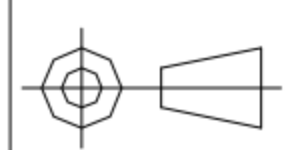
Sizes	SCREW		FIXED
	L1	L2	L2
S	15.9	23	19.3
M	22.2	29.4	
XL	35	42	



广东科斯达电子科技有限公司
GUANG DONG KE SI DA ELECTRONIC TECHNOLOGY CO., LTD.

TOLERANCE UNLESS OTHERWISE STATED:
Up to 5 ±0.2
Above 5 ~ 15 ±0.3
Above 15 ~ 30 ±0.4
Above 30 ~ 50 ±0.5
Angle ±0.3

3RD. ANGEL'S



UNITS

MM

DRAWN BY: Jack Lu
CHECKED BY: Jacky Chen
APPROVED BY: Tony Kao
DATE: 12/27/22

MAT'L
FINISH
SCALE: 1:1
SHEET NO.: 1 of 1

TITLE: SWITCH
MODLE: TACT SWITCH WITH LED
DWG NO.
PART NO.

SIZE: A4
VER: R

ITEM NO. DESCRIPTION DRAWN DATE