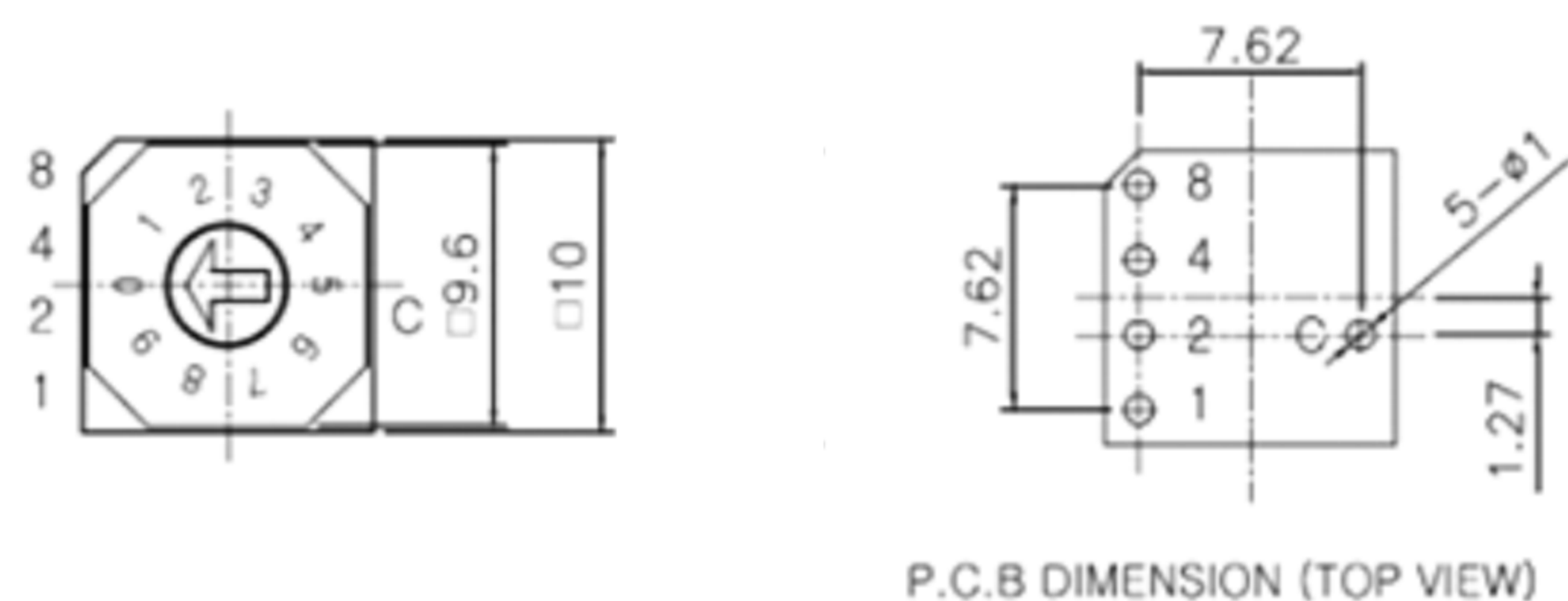
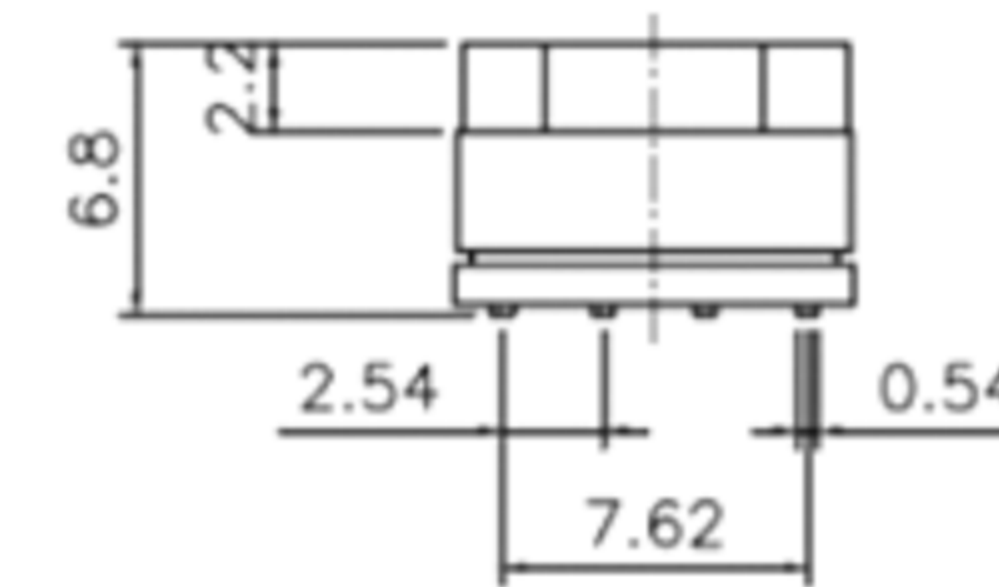
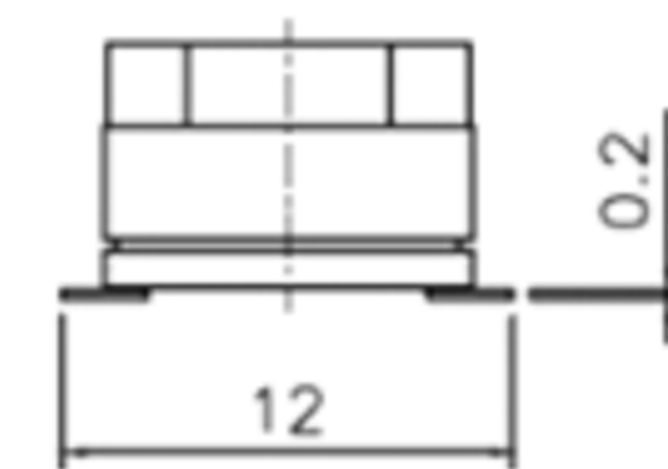
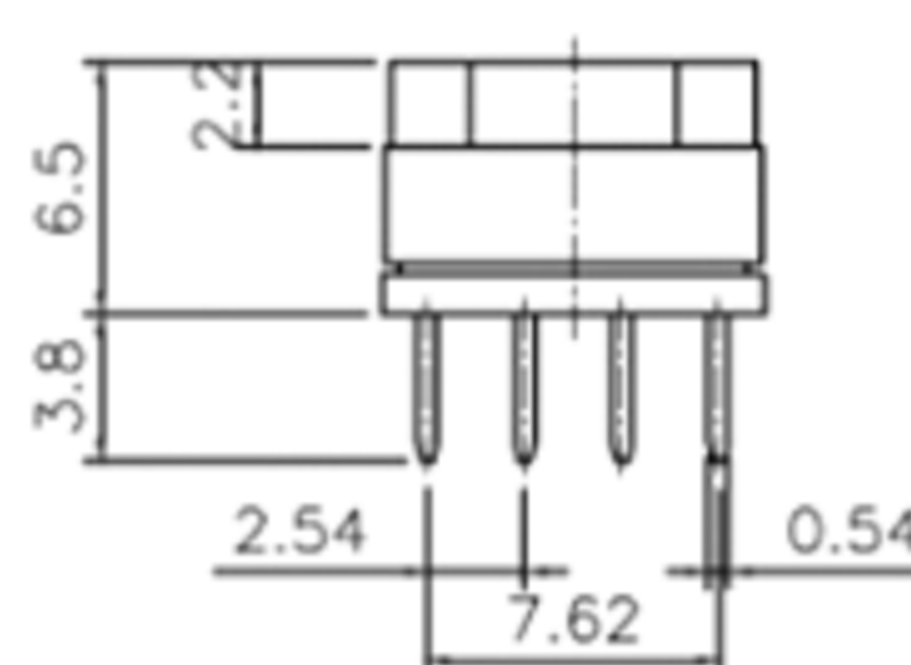
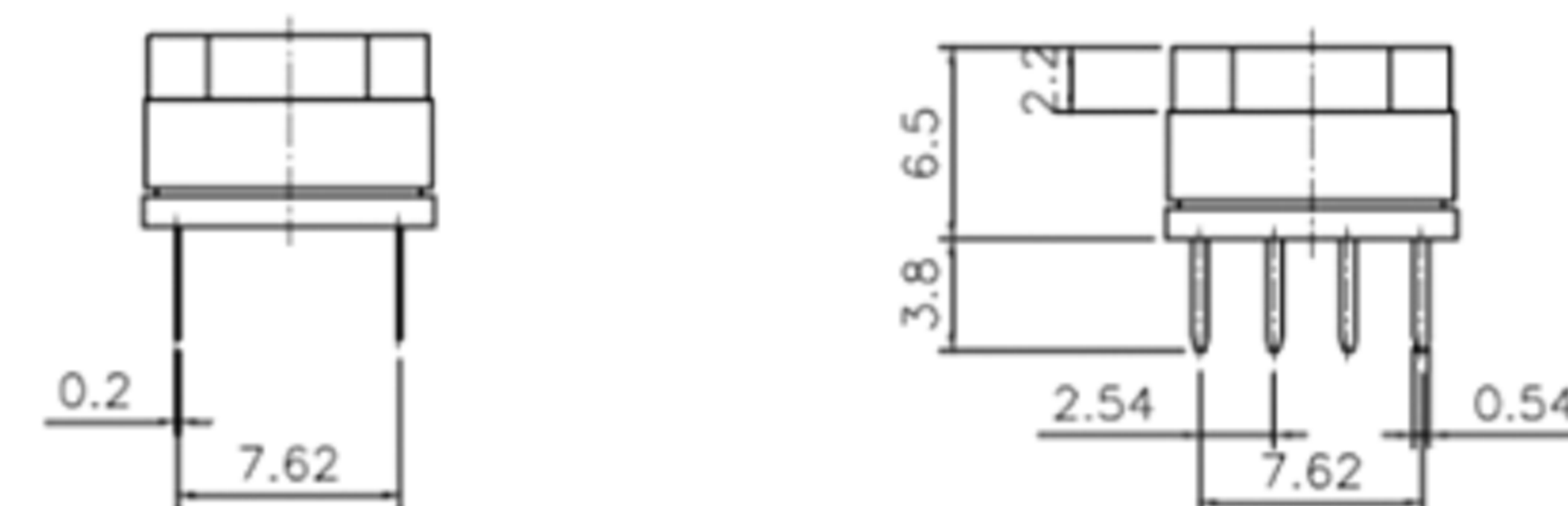
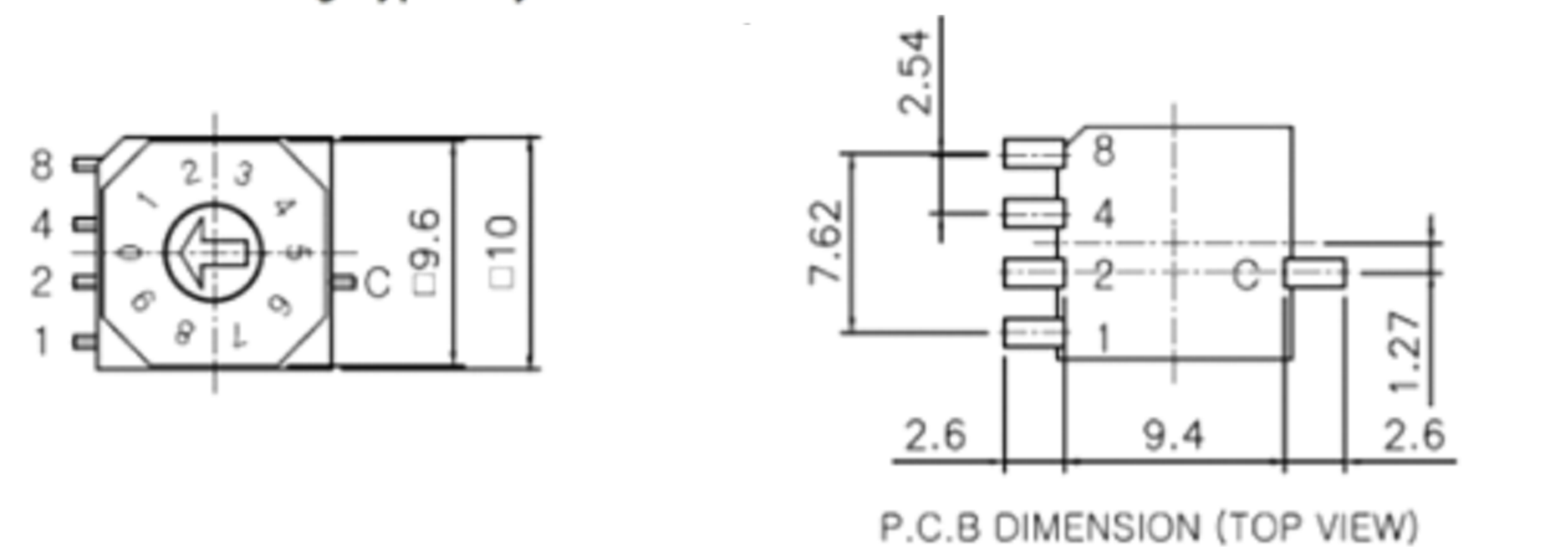




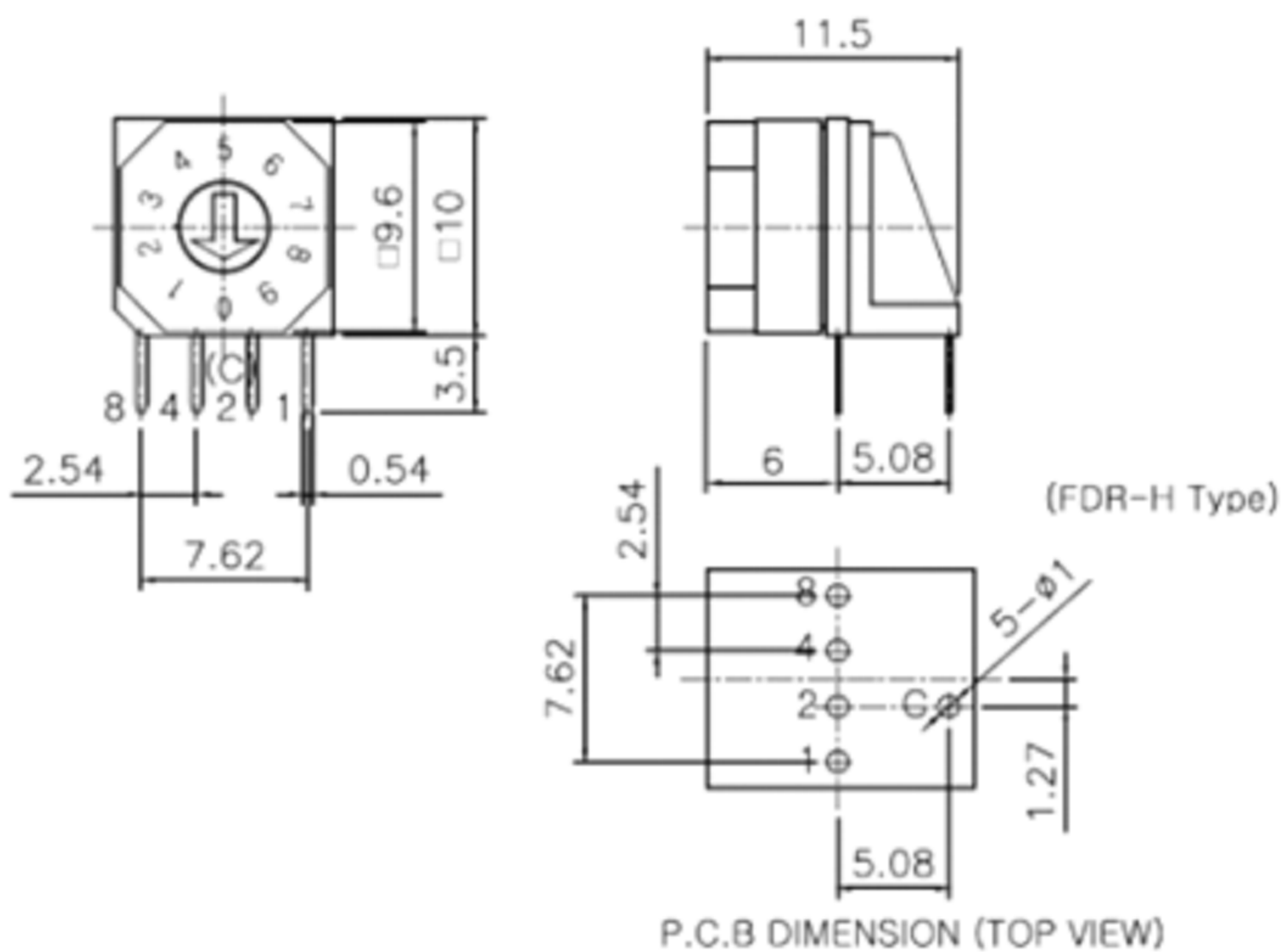
Through Hole Type Layout



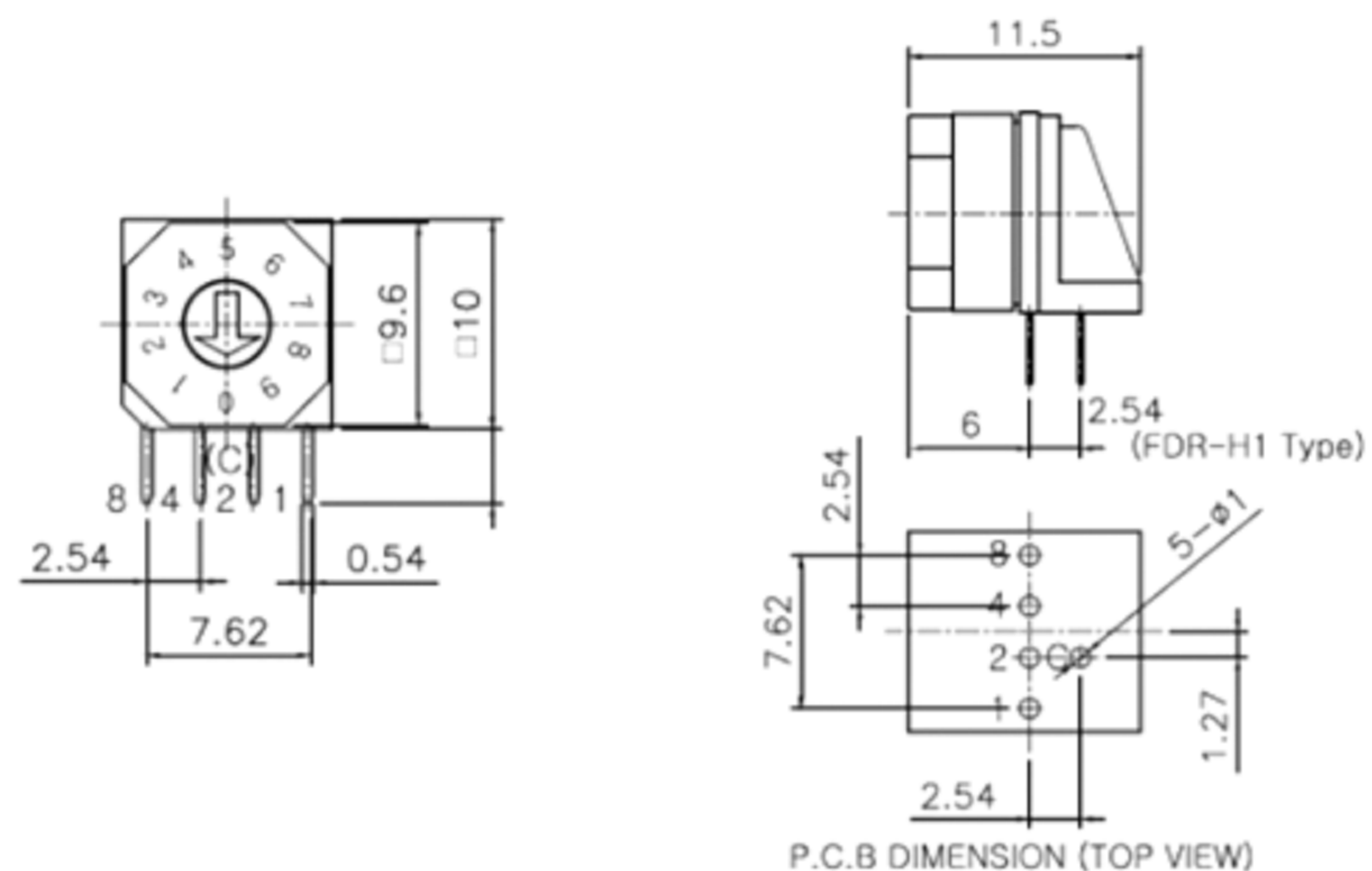
SMD Gull Wing Type Layout



Angle Type Layout (H:5.08mm)



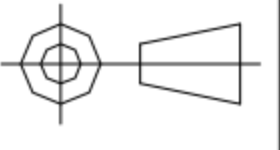
Angle Type Layout (H1:2.54mm)



 **广东科斯达电子科技有限公司**
GUANG DONG KE SI DA ELECTRONIC TECHNOLOGY CO., LTD.

TOLERANCE UNLESS OTHERWISE STATED:

Up to 5	± 0.2
Above 5 ~ 15	± 0.3
Above 15 ~ 30	± 0.4
Above 30 ~ 50	± 0.5
Angle	± 0.3

3RD. ANGEL'S  UNITS MM

DRAWN BY:	DATE	MAT'L	TITLE	SWITCH
Jack Lu	12/27/22			
CHECKED BY:	DATE	FINISH	MODLE	TACT SWITCH WITH LED
Jacky Chen	12/27/22			
APPROVED BY:	DATE	SCALE	DWG NO.	SIZE
Tony Kao	12/27/22	1 : 1		A4
		SHEET NO.	PART NO.	VER
		1 of 1		R