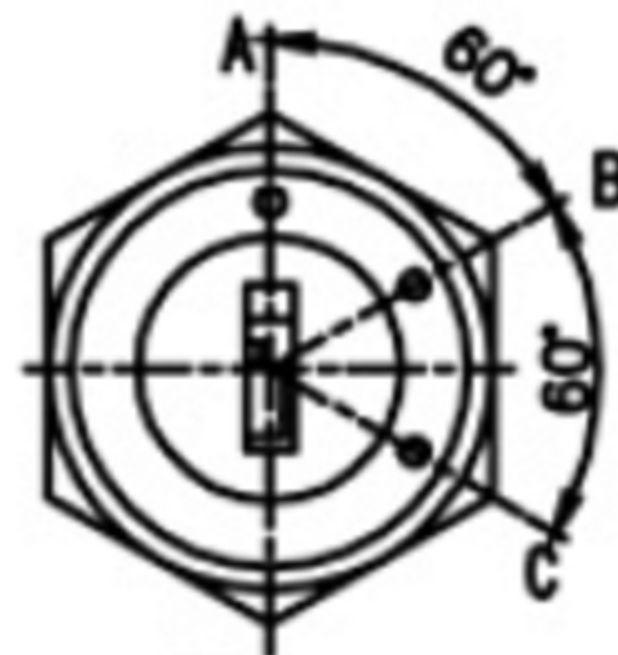


Unit: mm

Recommended hole size



332



333



331

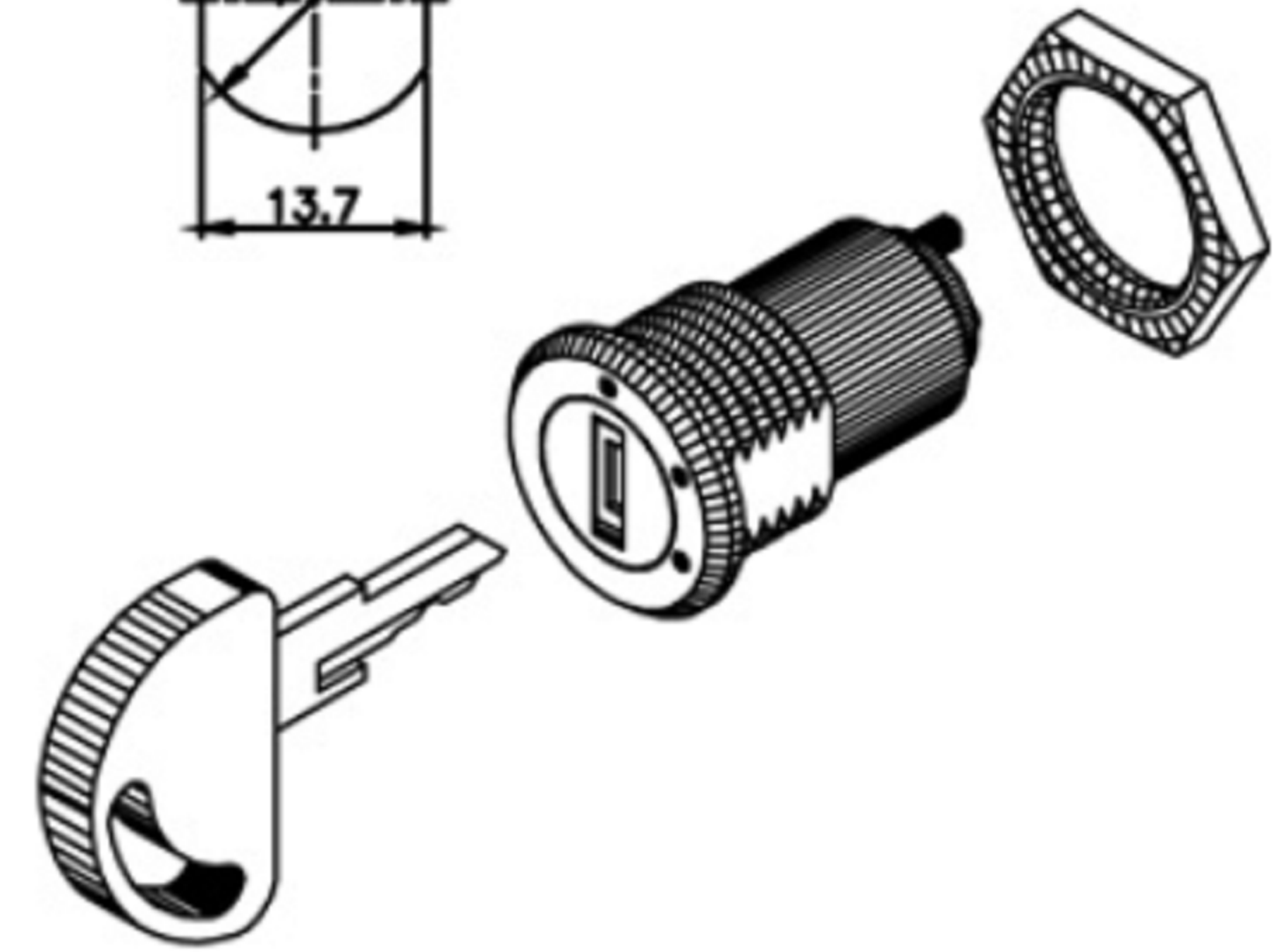
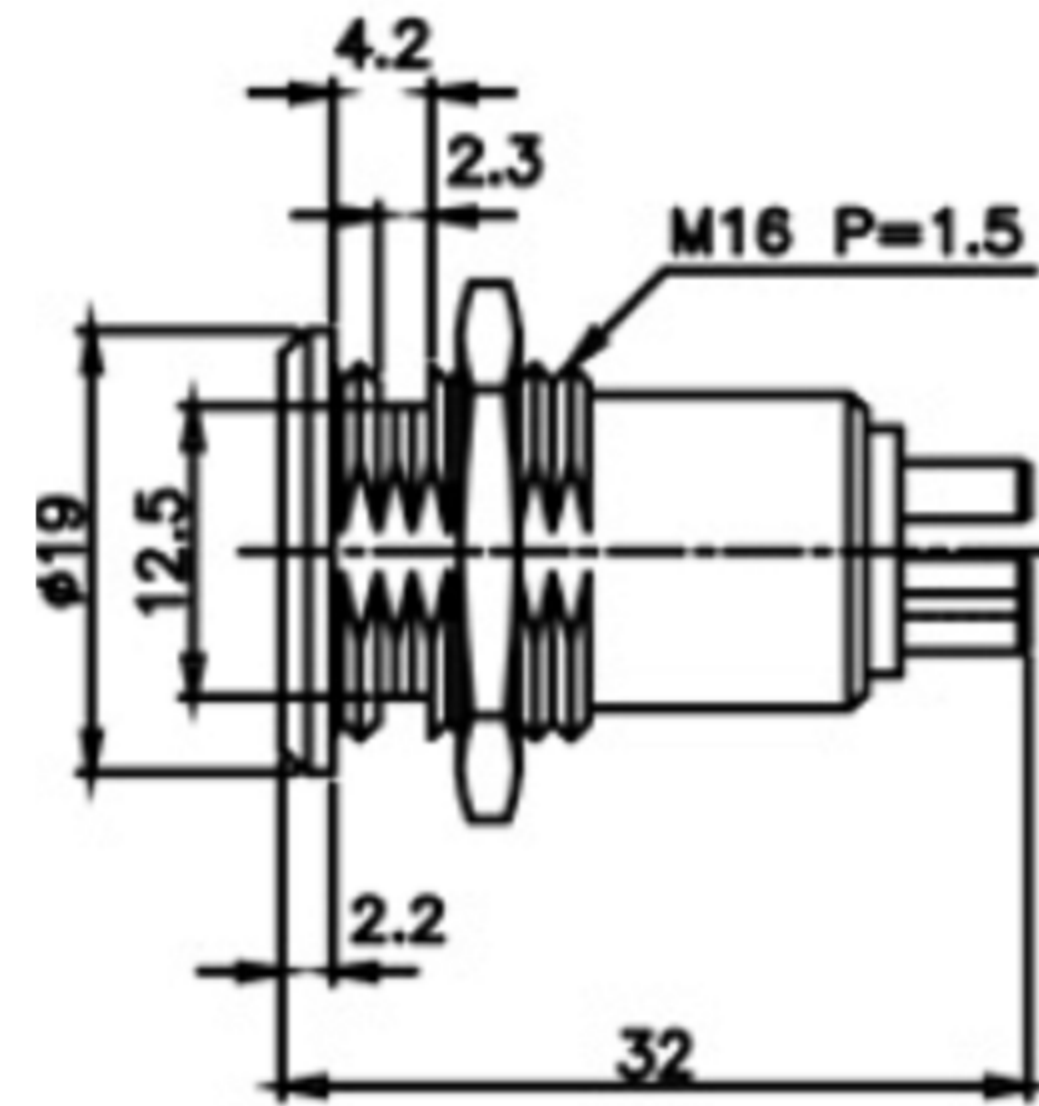


Fig.1



Fig.2



Fig.3

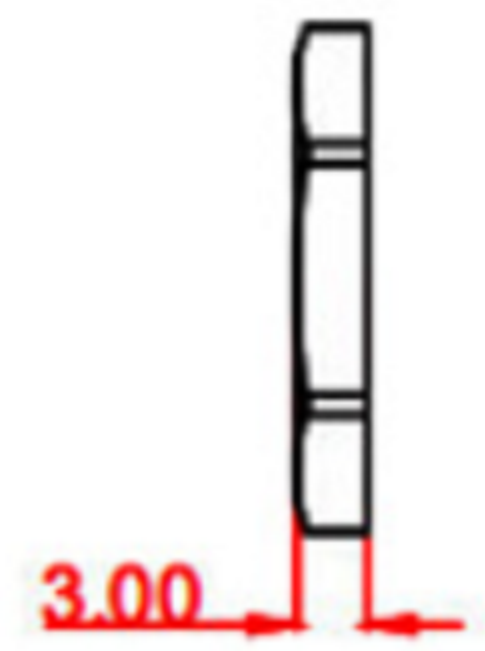
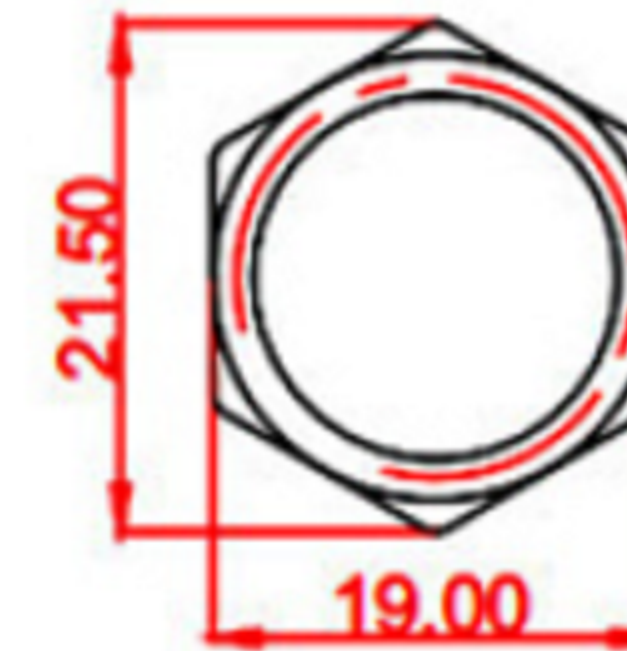
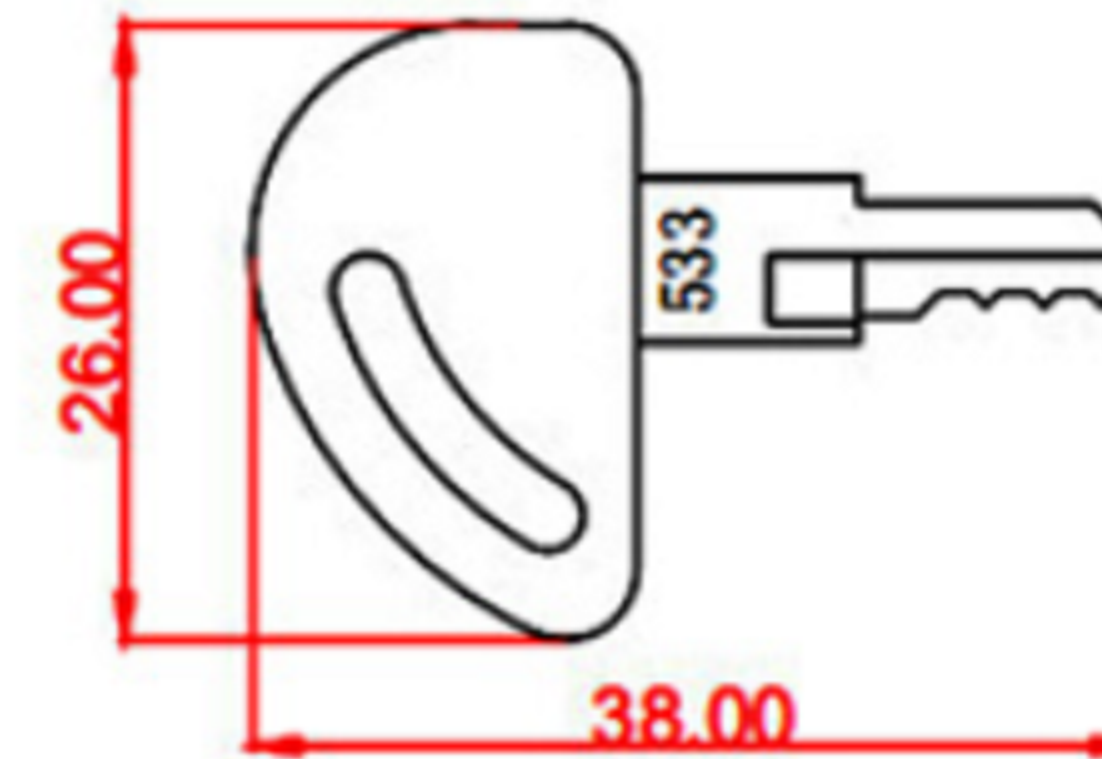


Fig No	Lock Number	Pole	Positions	Terminals	Key Pulls	Turn	⬆	↗	↘	Type
1	S331	1	2	3	2	60°	On	On		SPDT
2	S332	1	2	2	2	60°	Off	On		SPST
3	S333	1	3	3	3	120°	Off	On	On	SPDT

广东科斯达电子科技有限公司
GUANG DONG KE SI DA ELECTRONIC TECHNOLOGY CO., LTD.

TOLERANCE UNLESS OTHERWISE STATED: Up to 5 ±0.2, Above 5 ~ 15 ±0.3, Above 15 ~ 30 ±0.4, Above 30 ~ 50 ±0.5, Angle ±0.3°
3RD. ANGEL'S
UNITS MM

DRAWN BY:	DATE	MAT'L	TITLE	SWITCH
Jack Lu	12/27/22		MODLE	TACT SWITCH WITH LED
CHECKED BY:	DATE	FINISH	SCALE	1 : 1
Jacky Chen	12/27/22		DWG NO.	
APPROVED BY:	DATE	SHEET NO.	PART NO.	
Tony Kao	12/27/22	1 of 1		

ITEM NO.	DESCRIPTION	DRAWN	DATE

SIZE A4
VER R