



Unit: mm

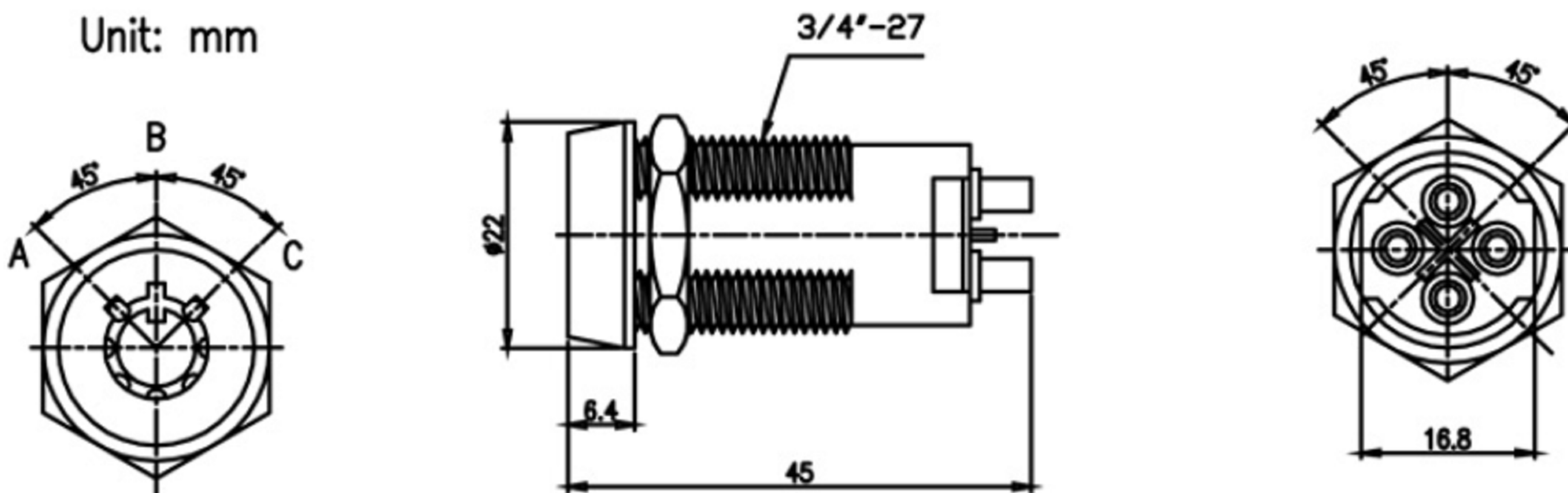


Fig.1



Fig.2



Fig.3

Recommended hole size

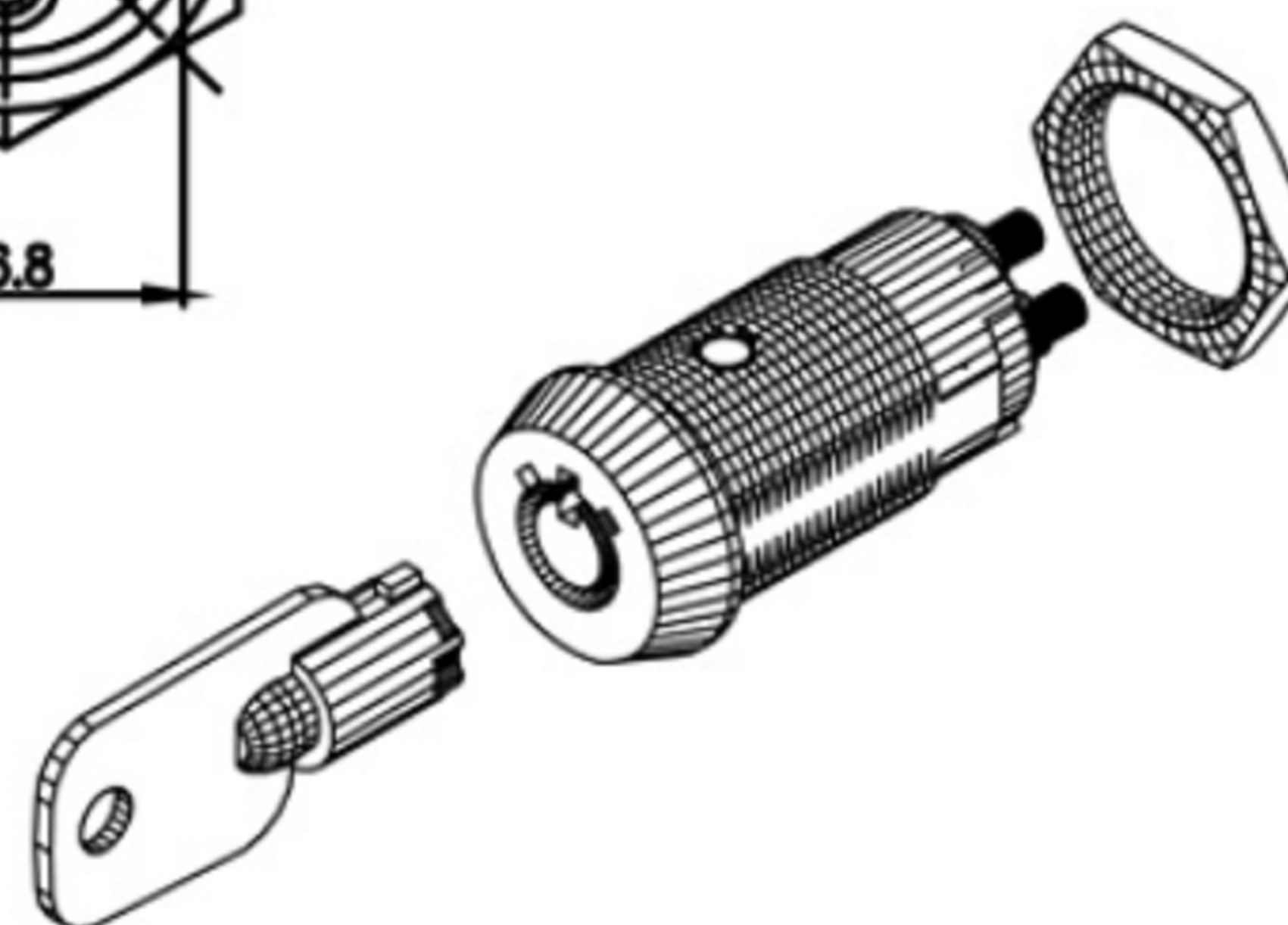


Fig No	Lock Number	Pole	Positions	Terminals	Key Pulls	Turn	↙	↑	↗	→	Type
1	S202ZB	1	3	4	3	45°-0°-45°	On	Off	On		SPDT
2	S202ZD	1	2	4	2	90°		On		On	SPDT
3	S202ZDA	1	2	4	1	90°		On		(On)	SPDT

() : Momentary Contact



广东科斯达电子科技有限公司
GUANG DONG KE SI DA ELECTRONIC TECHNOLOGY CO., LTD.

TOLERANCE UNLESS OTHERWISE STATED:
Up to 5 ±0.2
Above 5 ~ 15 ±0.3
Above 15 ~ 30 ±0.4
Above 30 ~ 50 ±0.5
Angle ±0.3

3RD. ANGEL'S

UNITS MM

DRAWN BY:	DATE	MAT'L	TITLE	SWITCH
Jack Lu	12/27/22		MODLE	TACT SWITCH WITH LED
CHECKED BY:	DATE	FINISH	DWG NO.	
Jacky Chen	12/27/22		SHEET NO.	1 of 1
APPROVED BY:	DATE	SCALE	PART NO.	
Tony Kao	12/27/22	1 : 1		

ITEM NO.	DESCRIPTION	DRAWN	DATE