



Unit: mm

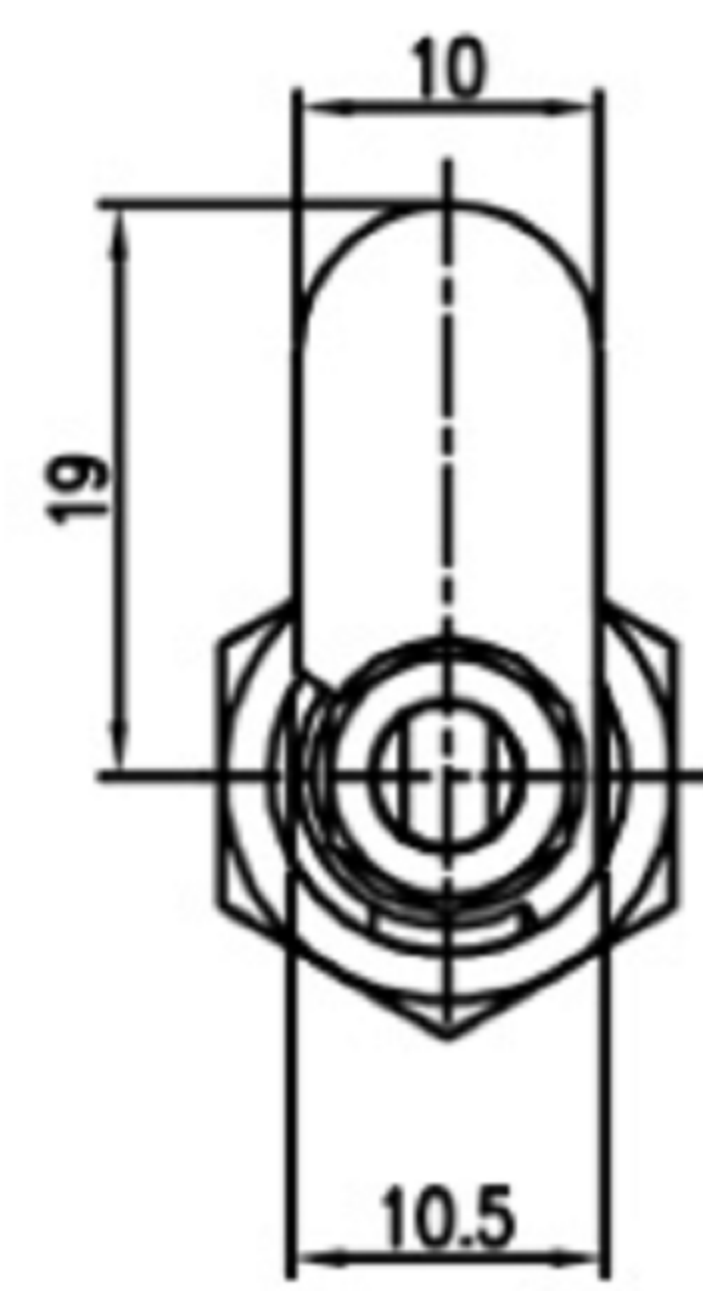
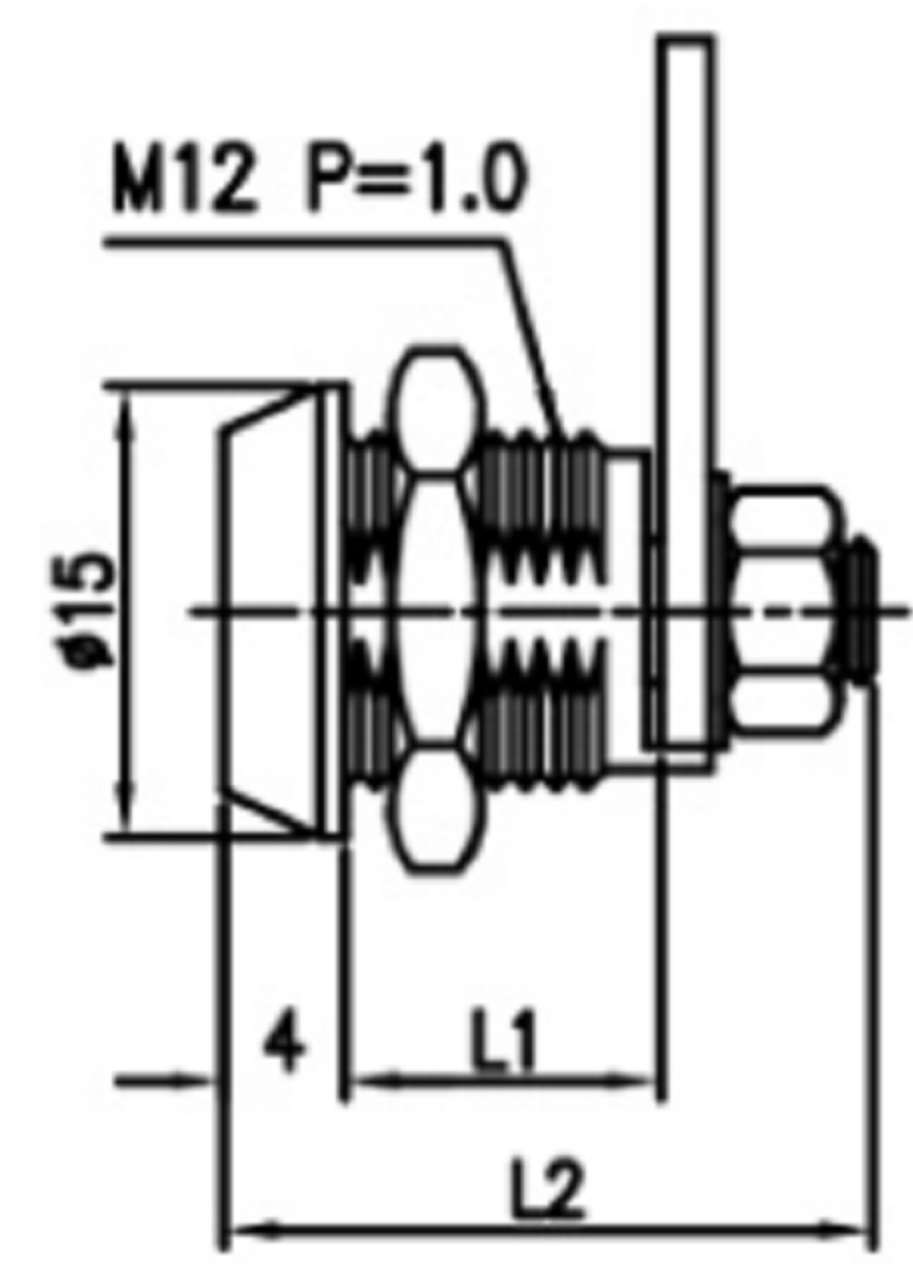
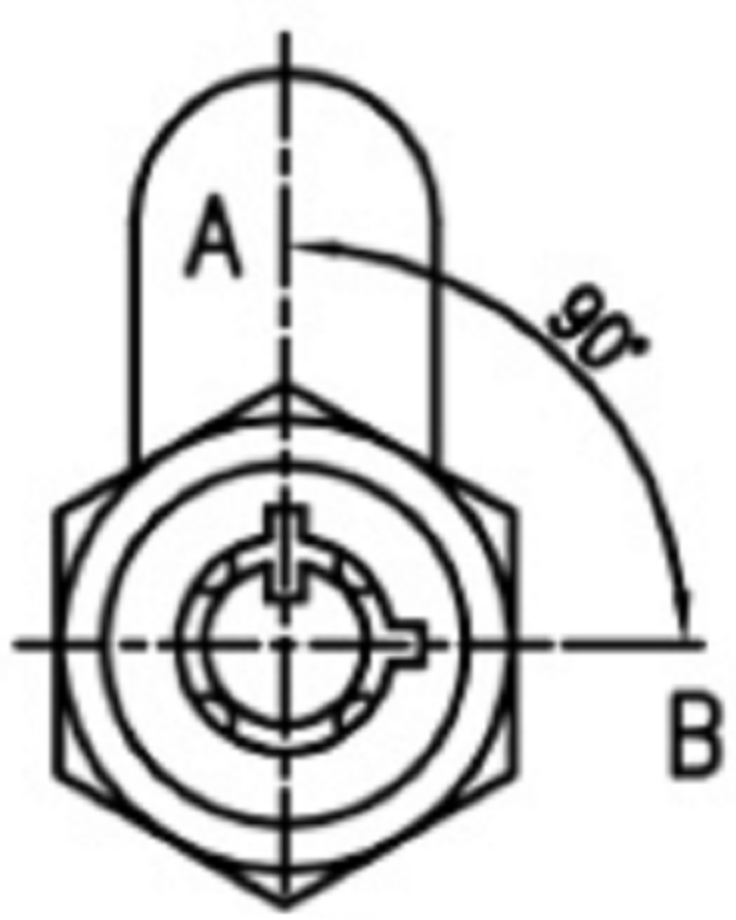


Fig.1

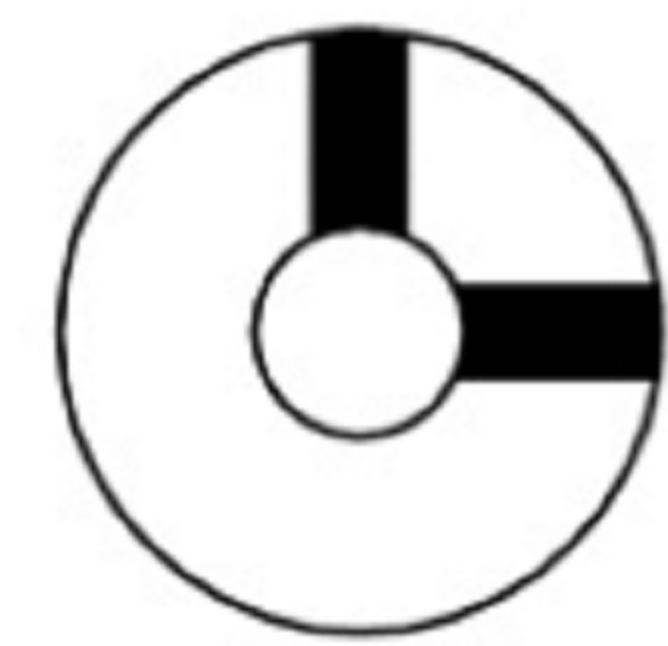
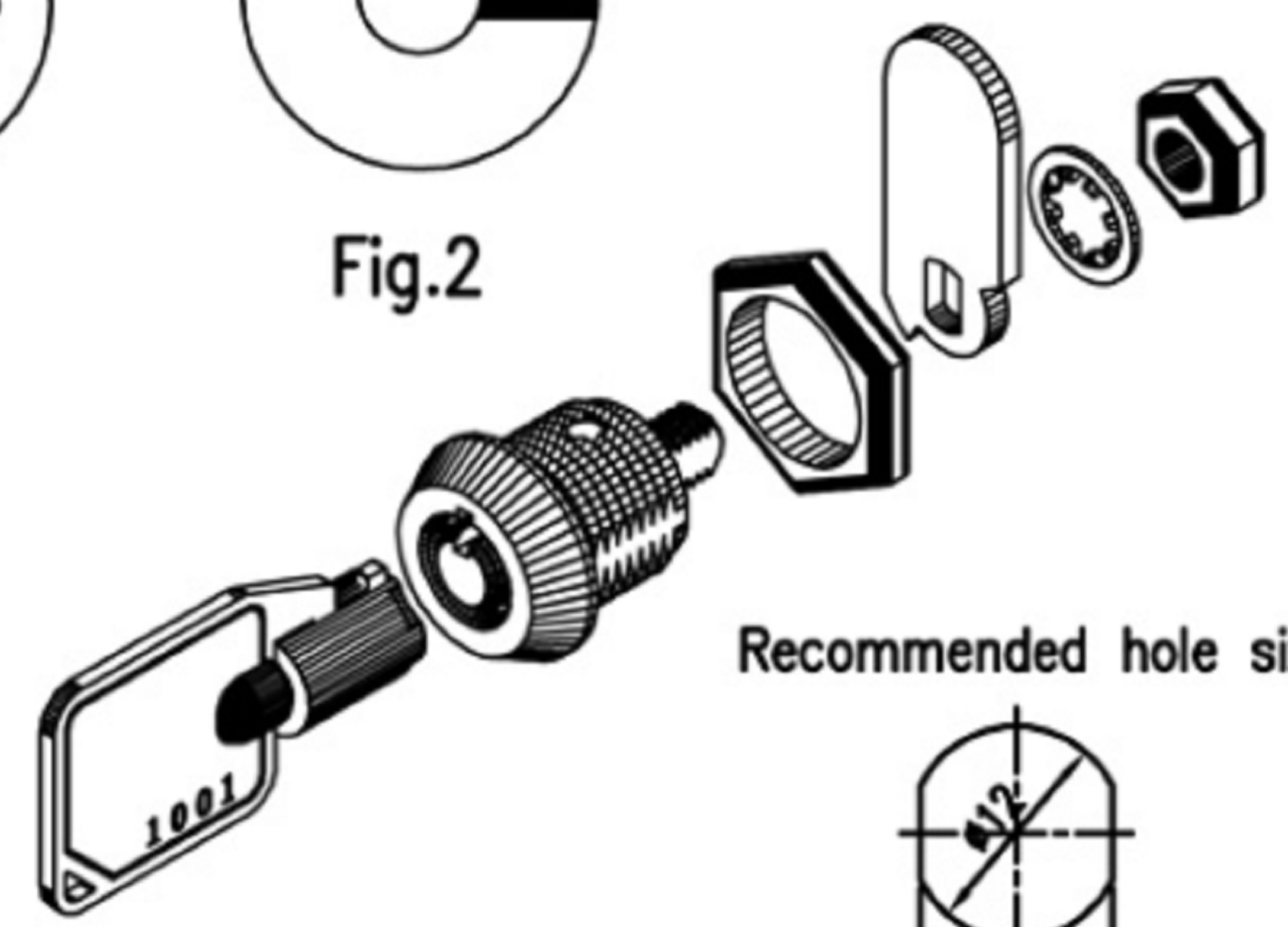


Fig.2



Recommended hole size



Fig No	Lock Number	Positions	Key Pulls	Turn
1	C520UZS-1	2	1	90°
1	C520M-1	2	1	90°
1	C520L-1	2	1	90°
2	C520UZS-2	2	2	90°
2	C520M-2	2	2	90°
2	C520L-2	2	2	90°

Sizes	L1	L2
UZS	10.5	21.1
M	13	23.6
L	16	26.6

广东科斯达电子科技有限公司
GUANG DONG KE SI DA ELECTRONIC TECHNOLOGY CO., LTD.

TOLERANCE UNLESS OTHERWISE STATED: Up to 5 ±0.2, Above 5 ~ 15 ±0.3, Above 15 ~ 30 ±0.4, Above 30 ~ 50 ±0.5, Angle ±0.3

3RD. ANGEL'S UNITS MM

DRAWN BY:	DATE	MAT'L	TITLE	SWITCH
Jack Lu	12/27/22	FINISH	MODLE	TACT SWITCH WITH LED
CHECKED BY:	DATE	SCALE	DWG NO.	SIZE
Jacky Chen	12/27/22	1:1	PART NO.	A4
APPROVED BY:	DATE	SHEET NO.		VER
Tony Kao	12/27/22	1 of 1		R

ITEM NO.	DESCRIPTION	DRAWN	DATE