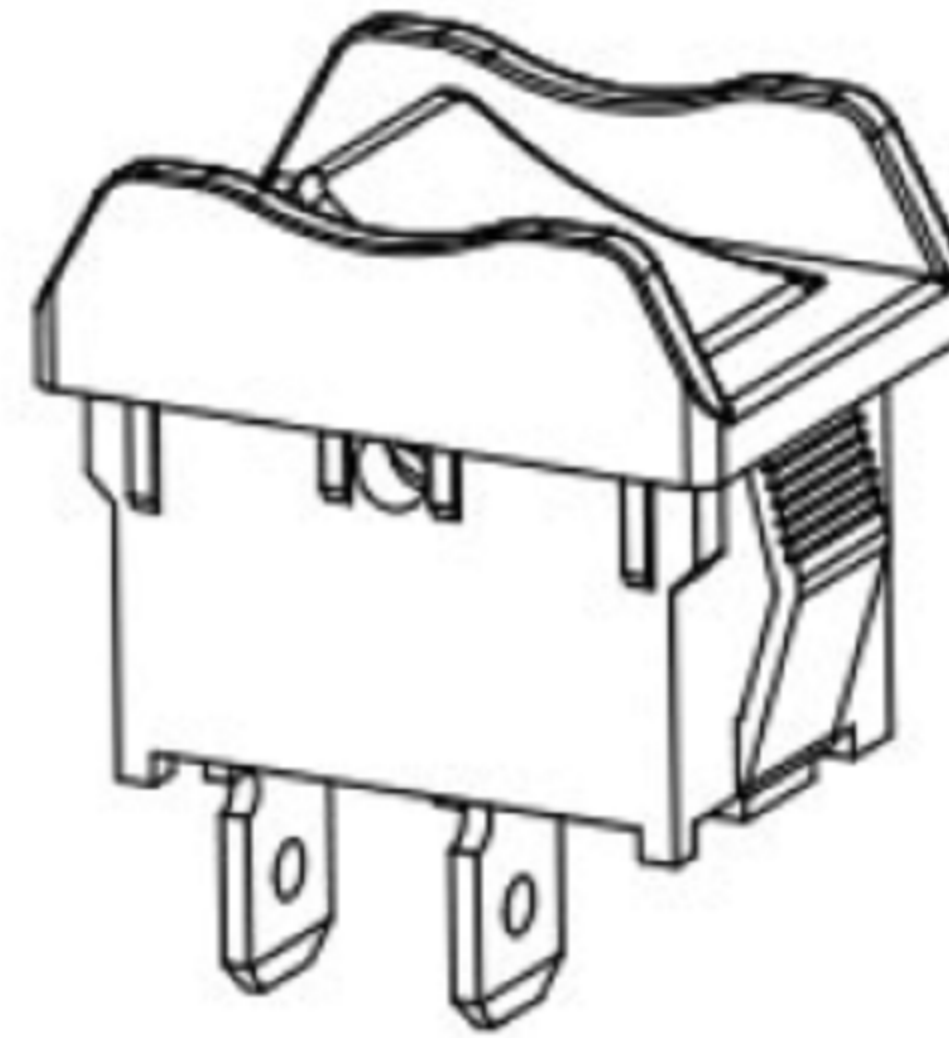
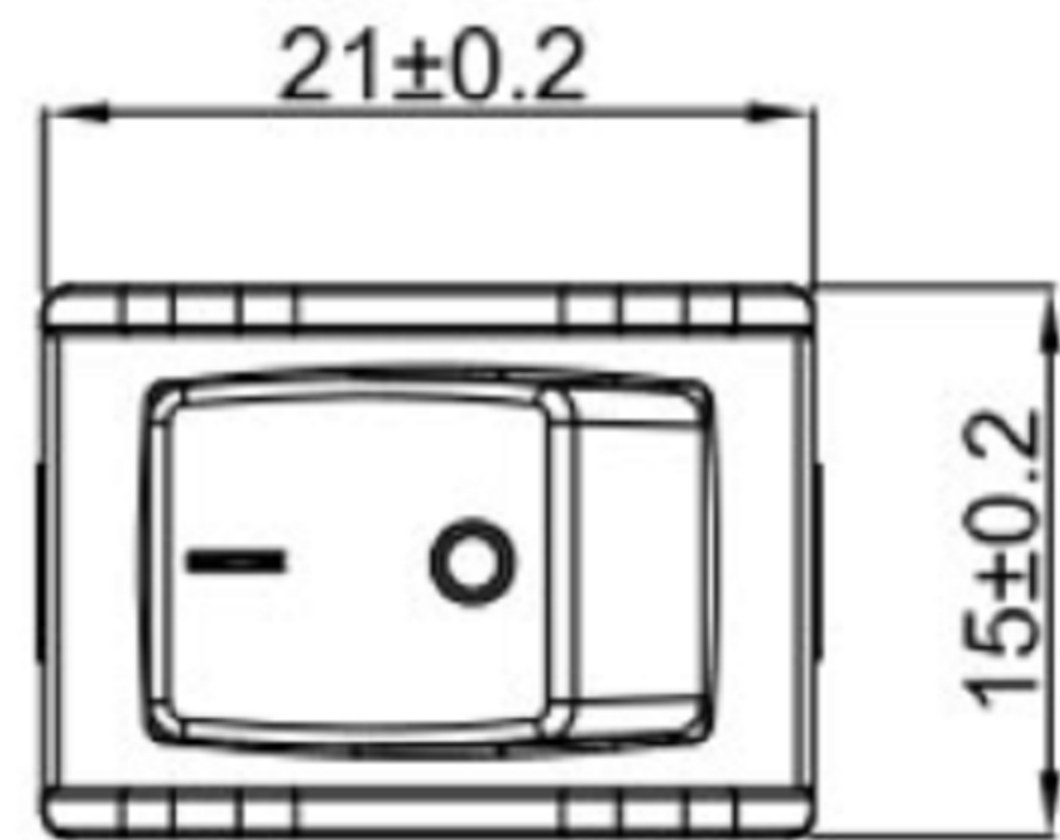
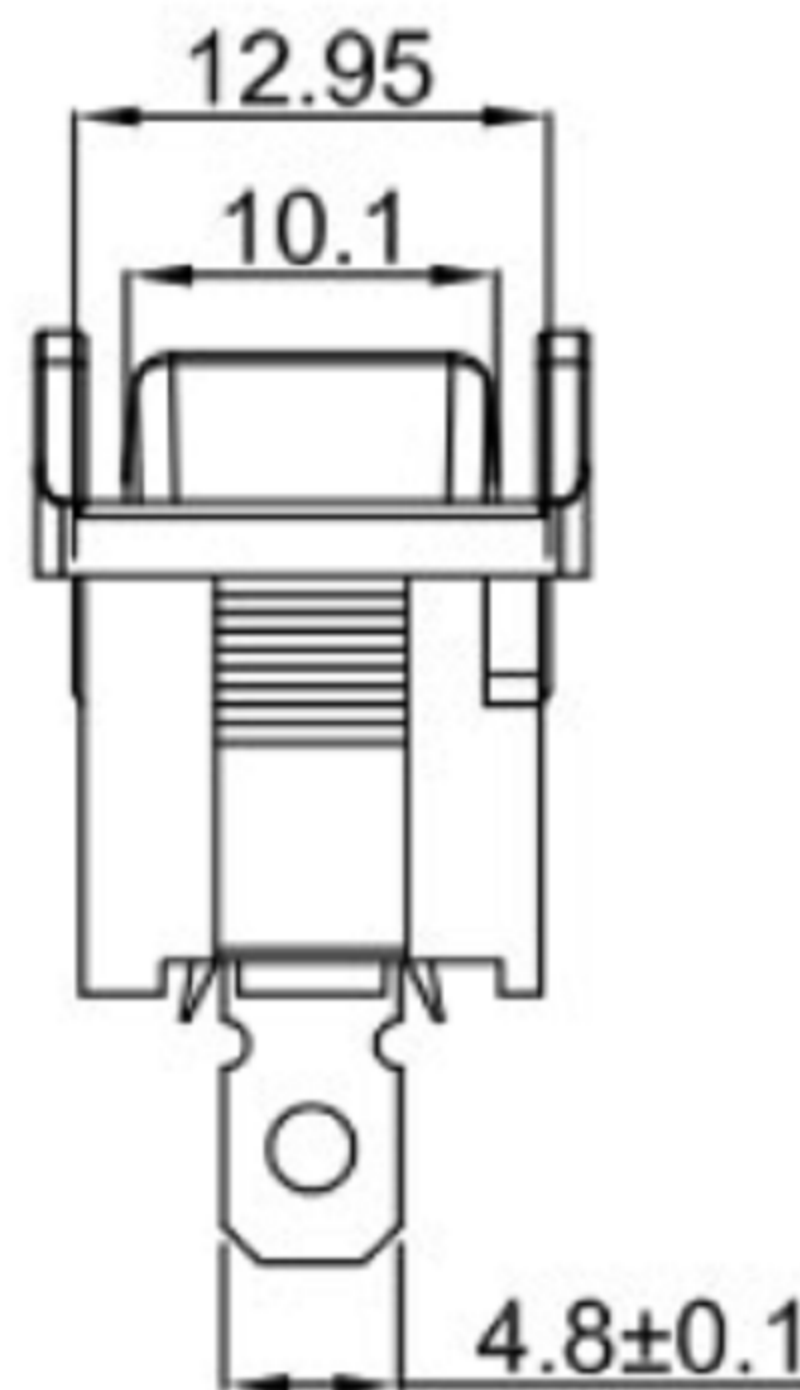
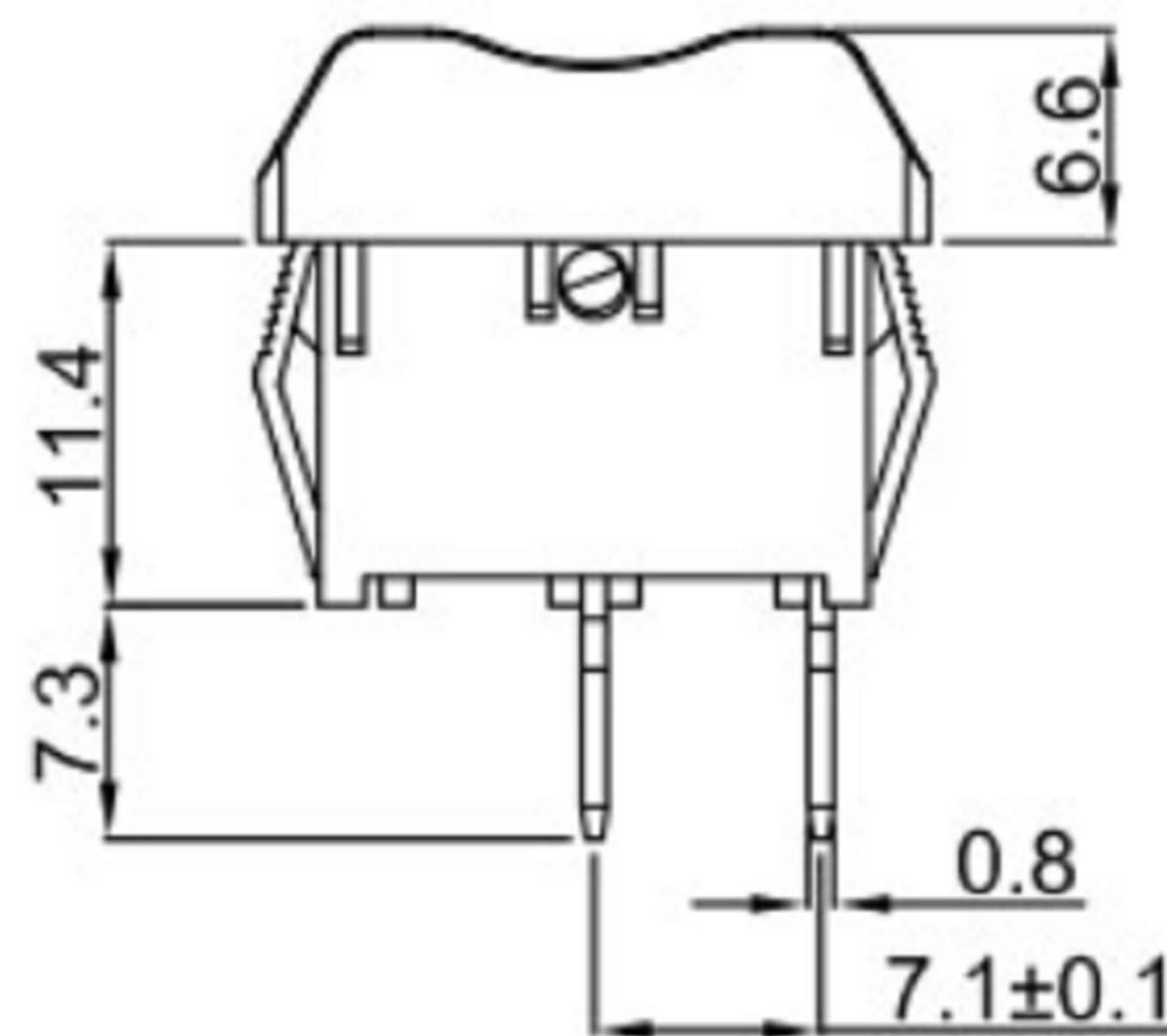




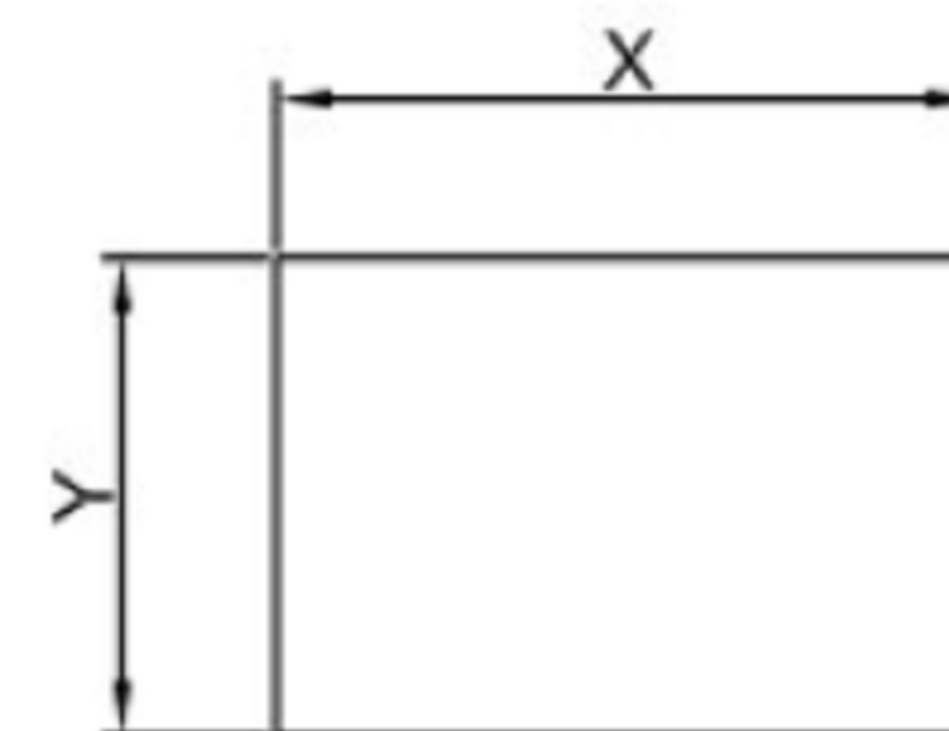
MR-1



Rating: 12A 125VAC(UL / CUL)
 10A 250VAC(CQC / ENEC/CB)
 Contact Resistance: 50mΩ max
 Insulation Resistance: DC 500V 100MΩ min.
 Dielectric Strength: AC 1500V 1 minute
 Operating Force: 350±100gf
 Mechanical Life: Over 30,000 cycles
 Electrical Life: Over 10,000 cycles
 Operating Temperature: -25°C ~ 85°C
 Safety Approval:



CUT-OUT



	X	Y
	19.2-0.1	13.0+0.1
	19.4-0.1	13.0+0.1
	19.8-0.1	13.0+0.1



广东科斯达电子科技有限公司
 GUANG DONG KE SI DA ELECTRONIC TECHNOLOGY CO., LTD.

TOLERANCE UNLESS OTHERWISE STATED:
 Up to 5 ±0.2
 Above 5 ~ 15 ±0.3
 Above 15 ~ 30 ±0.4
 Above 30 ~ 50 ±0.5
 Angle ±0.3

3RD. ANGEL'S

UNITS MM

DRAWN BY:	DATE	MAT'L	TITLE	SWITCH
Jack Lu	12/27/22			
CHECKED BY:	DATE	FINISH	MODLE	TACT SWITCH WITH LED
Jacky Chen	12/27/22			
APPROVED BY:	DATE	SCALE	DWG NO.	
Tony Kao	12/27/22	1 : 1		
		SHEET NO.	PART NO.	
		1 of 1		

ITEM NO.	DESCRIPTION	DRAWN	DATE