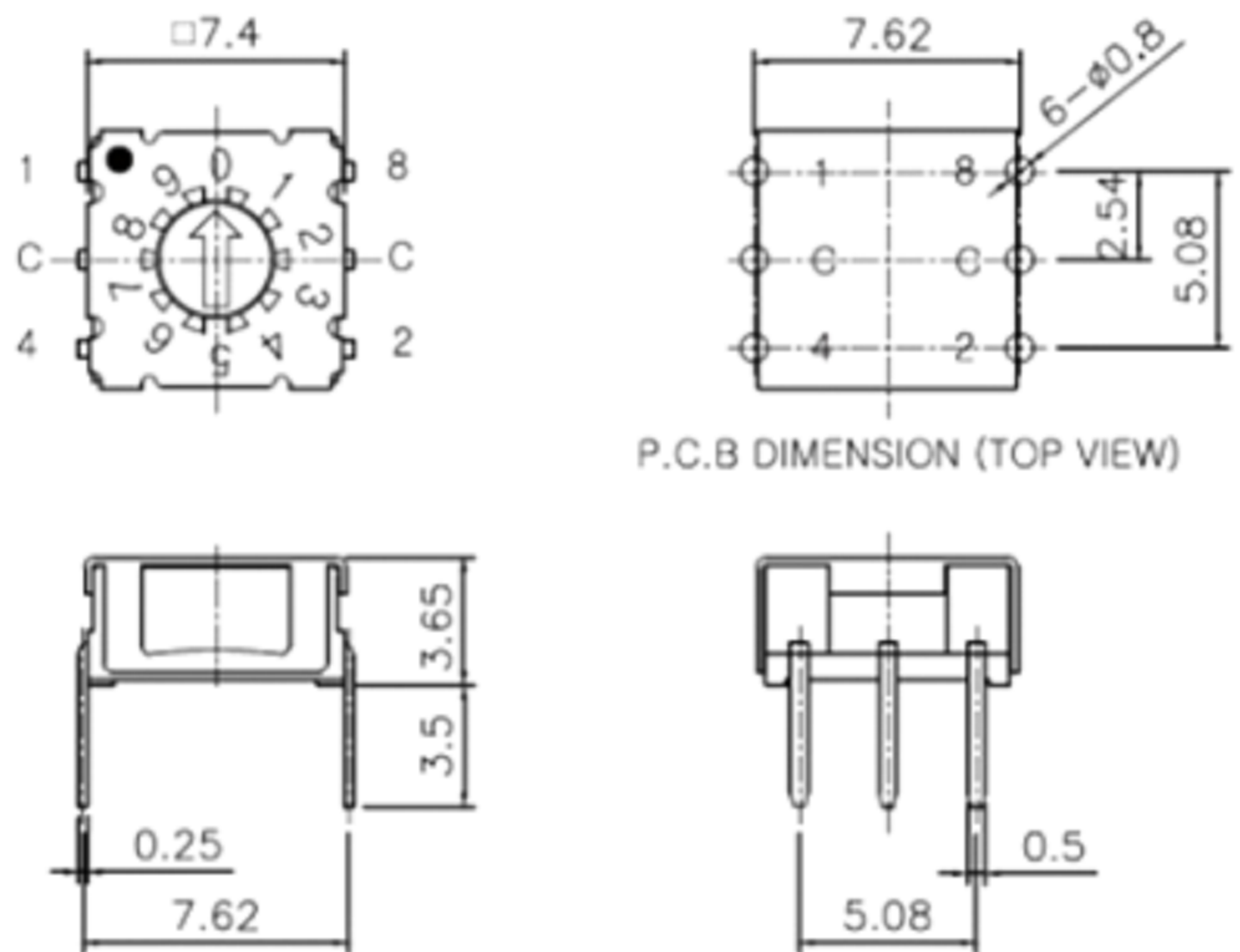
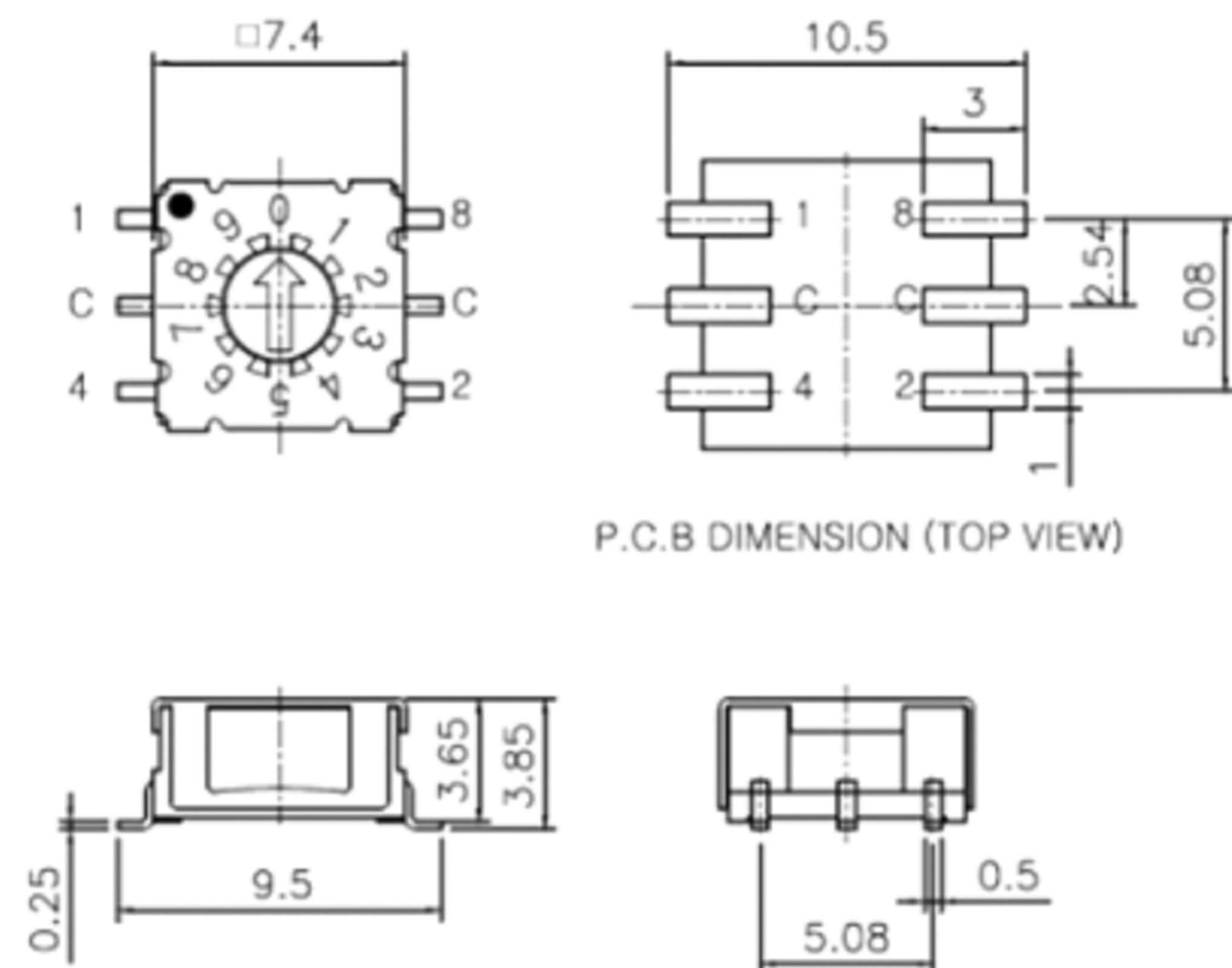




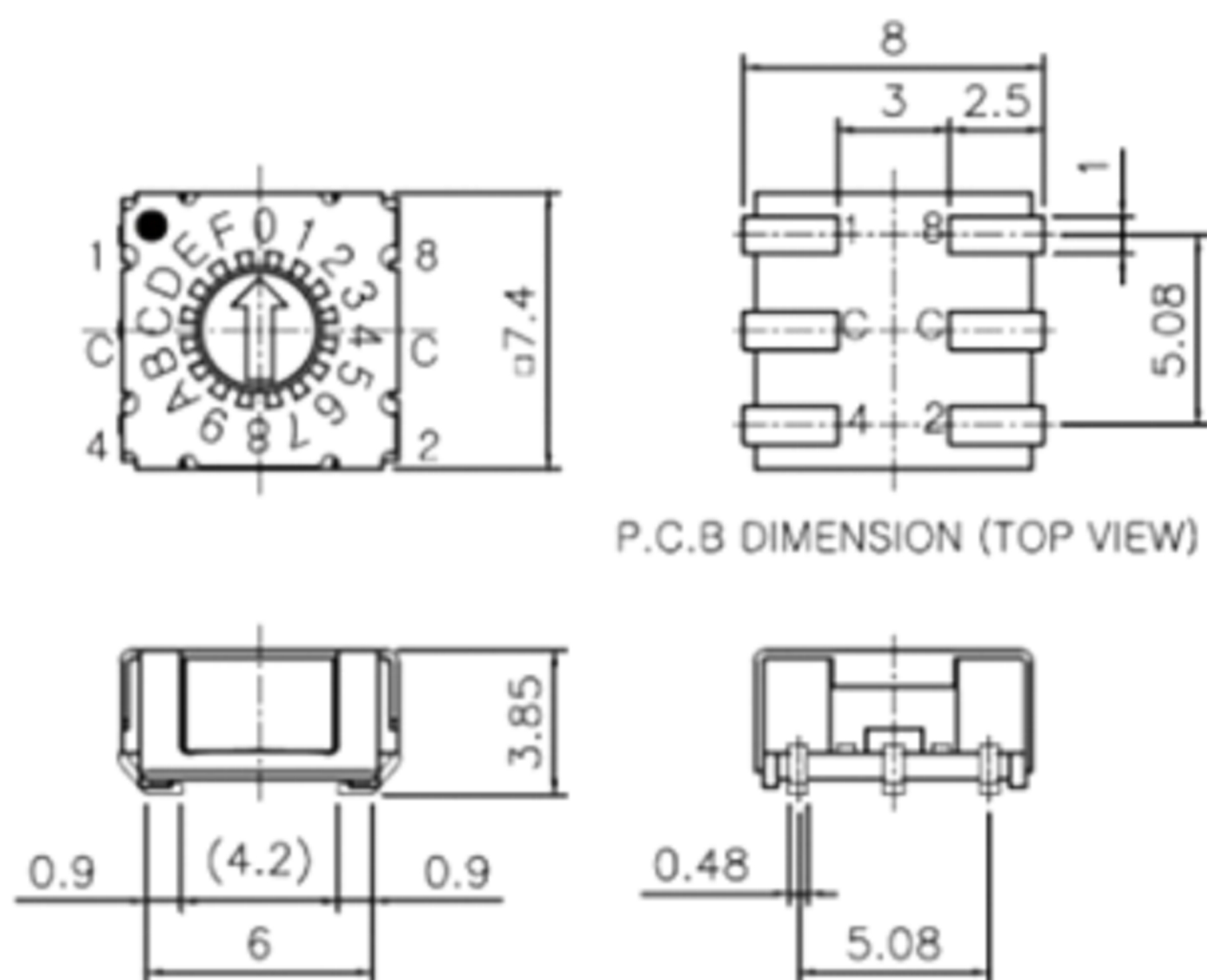
### Through Hole Type Layout



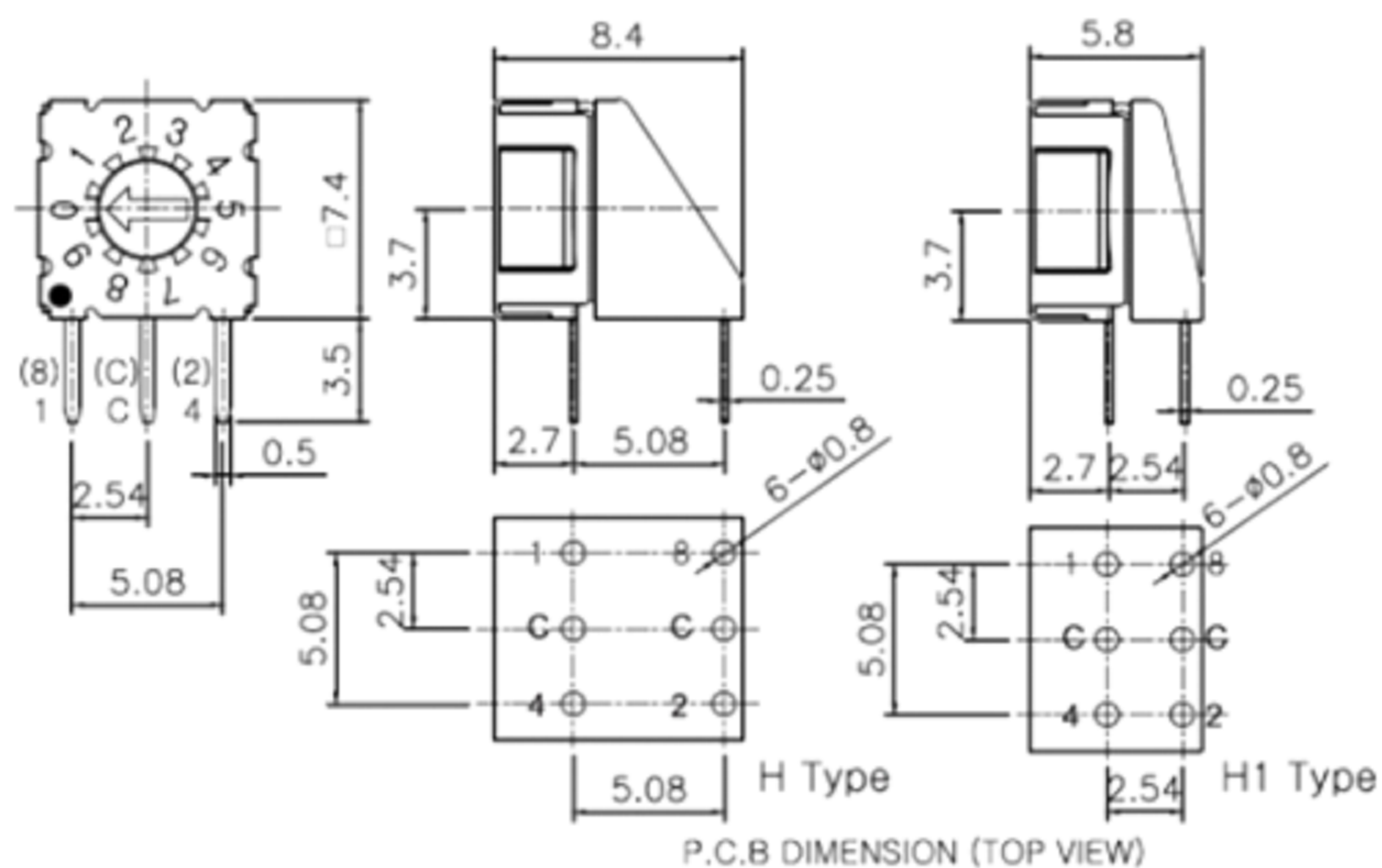
### SMD Gull Wing Type Layout



### SMD - J Hook Type Layout



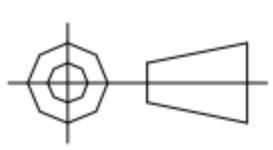
### Angle Type Layout (H:5.08mm, H1:2.54mm)



**广东科斯达电子科技有限公司**  
**GUANG DONG KE SI DA ELECTRONIC TECHNOLOGY CO., LTD.**

TOLERANCE UNLESS OTHERWISE STATED:  
 Up to 5  $\pm$ 0.2  
 Above 5 ~ 15  $\pm$ 0.3  
 Above 15 ~ 30  $\pm$ 0.4  
 Above 30 ~ 50  $\pm$ 0.5  
 Angle  $\pm$ 0.3

3RD. ANGEL'S



UNITS MM

DRAWN BY: Jack Lu  
 CHECKED BY: Jacky Chen  
 APPROVED BY: Tony Kao  
 DATE: 12/27/22

MAT'L  
 FINISH  
 SCALE: 1:1  
 SHEET NO. 1 of 1

TITLE: SWITCH  
 MODLE: TACT SWITCH WITH LED  
 DWG NO.  
 PART NO.

SIZE: A4  
 VER: R

ITEM NO.	DESCRIPTION	DRAWN	DATE