

Rating: 20A 125V AC
22A 250V AC

Contact Resistance: 50m Ω Max
Insulation Resistance: DC 500V 100M Ω Min.

Dielectric Strength: AC1500V 1 minute

Operating Force: 600±150gf

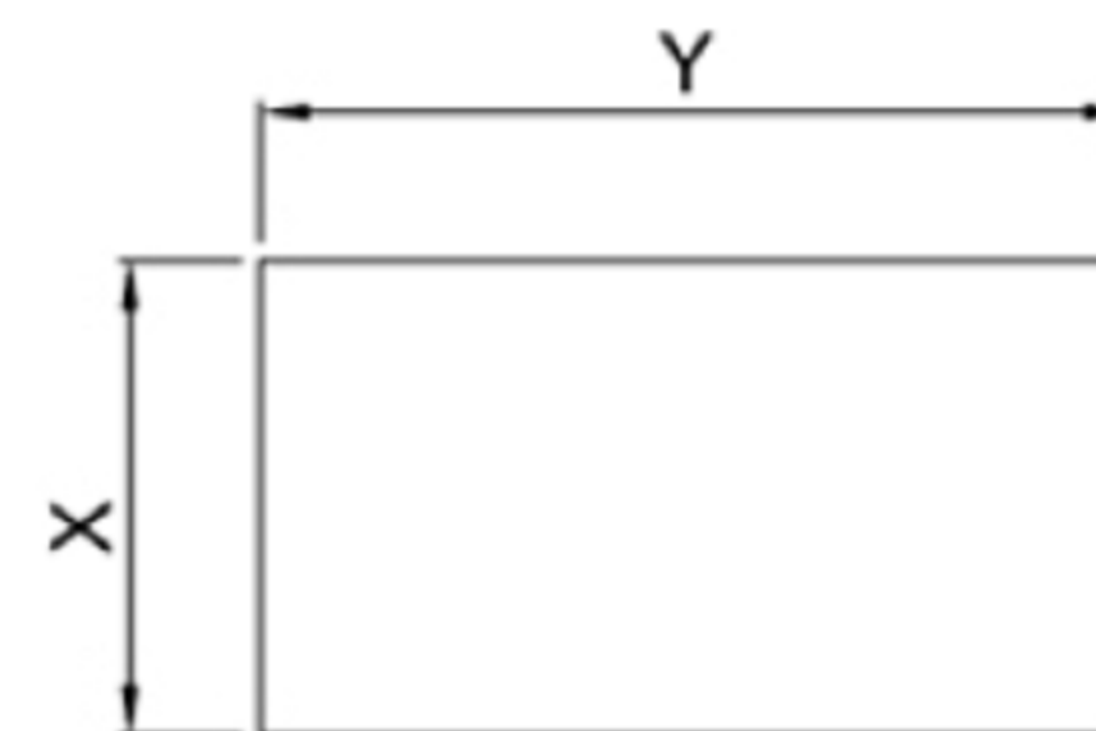
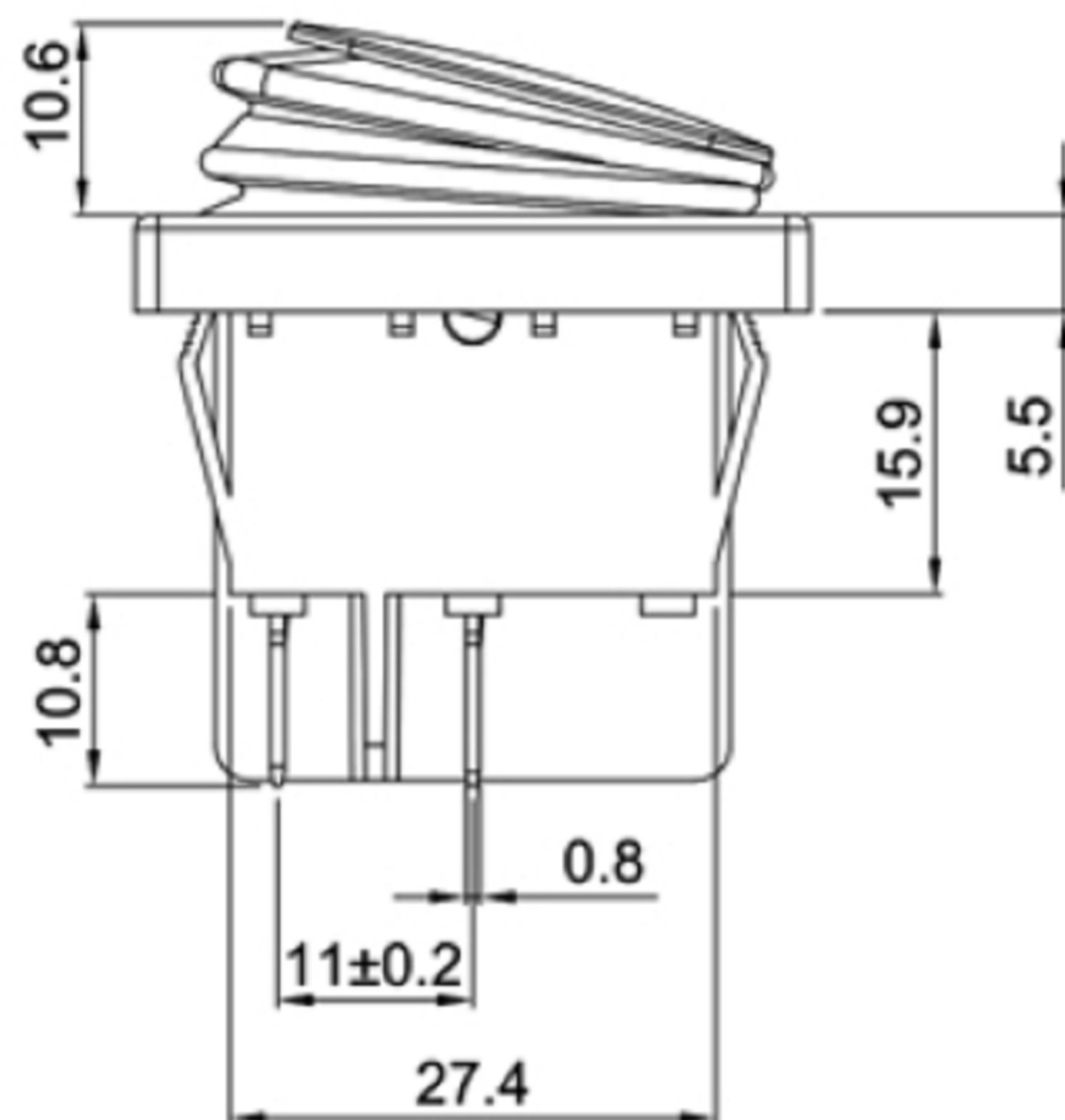
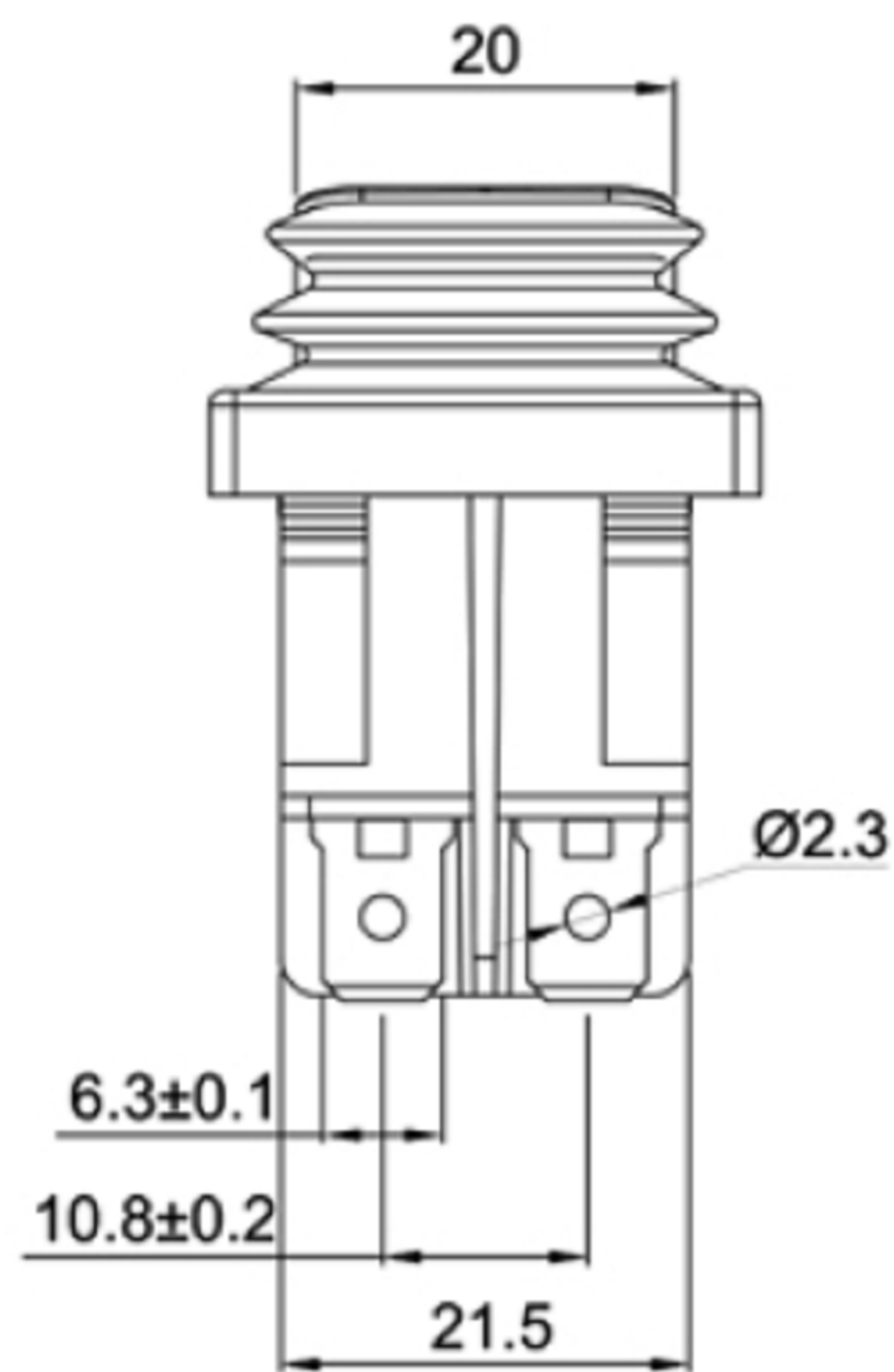
Mechanical Life: Over 30,000 cycles

Electrical Life: Over 10,000 cycles

Operating Temperature: -20 °C ~ +85 °C

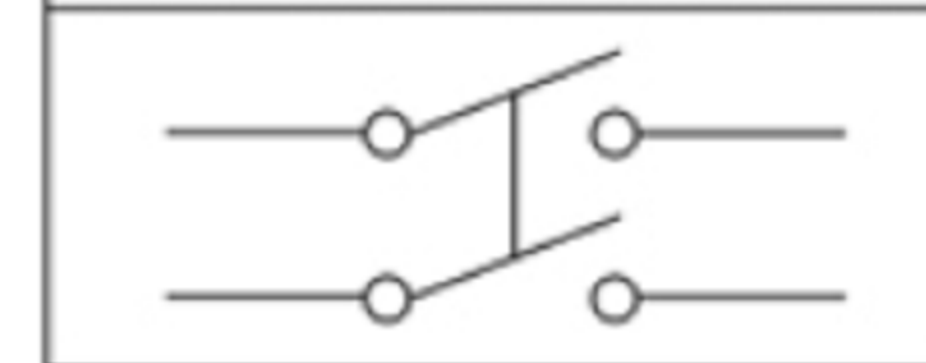
Protection type depending on mounting: IP65

CUT-OUT



	X	Y
0.75~1.25	22.0+0.1	30.0+0.1
1.25~2.00	22.0+0.1	30.2+0.1
2.00~3.00	22.0+0.1	30.4+0.1

SWITCHING CIRCUIT



 **广东科斯达电子科技有限公司**
GUANG DONG KE SI DA ELECTRONIC TECHNOLOGY CO., LTD.

TOLERANCE UNLESS OTHERWISE STATED:
Up to 5 ±0.2
Above 5 ~ 15 ±0.3
Above 15 ~ 30 ±0.4
Above 30 ~ 50 ±0.5
Angle ±0.3

3RD. ANGEL'S

UNITS MM

DRAWN BY:	DATE	MAT'L	TITLE	SWITCH
Jack Lu	12/27/22			
CHECKED BY:	DATE	FINISH	MODLE	TACT SWITCH WITH LED
Jacky Chen	12/27/22			
APPROVED BY:	DATE	SCALE	DWG NO.	SIZE
Tony Kao	12/27/22	1 : 1		A4
		SHEET NO.	PART NO.	VER
		1 of 1		R