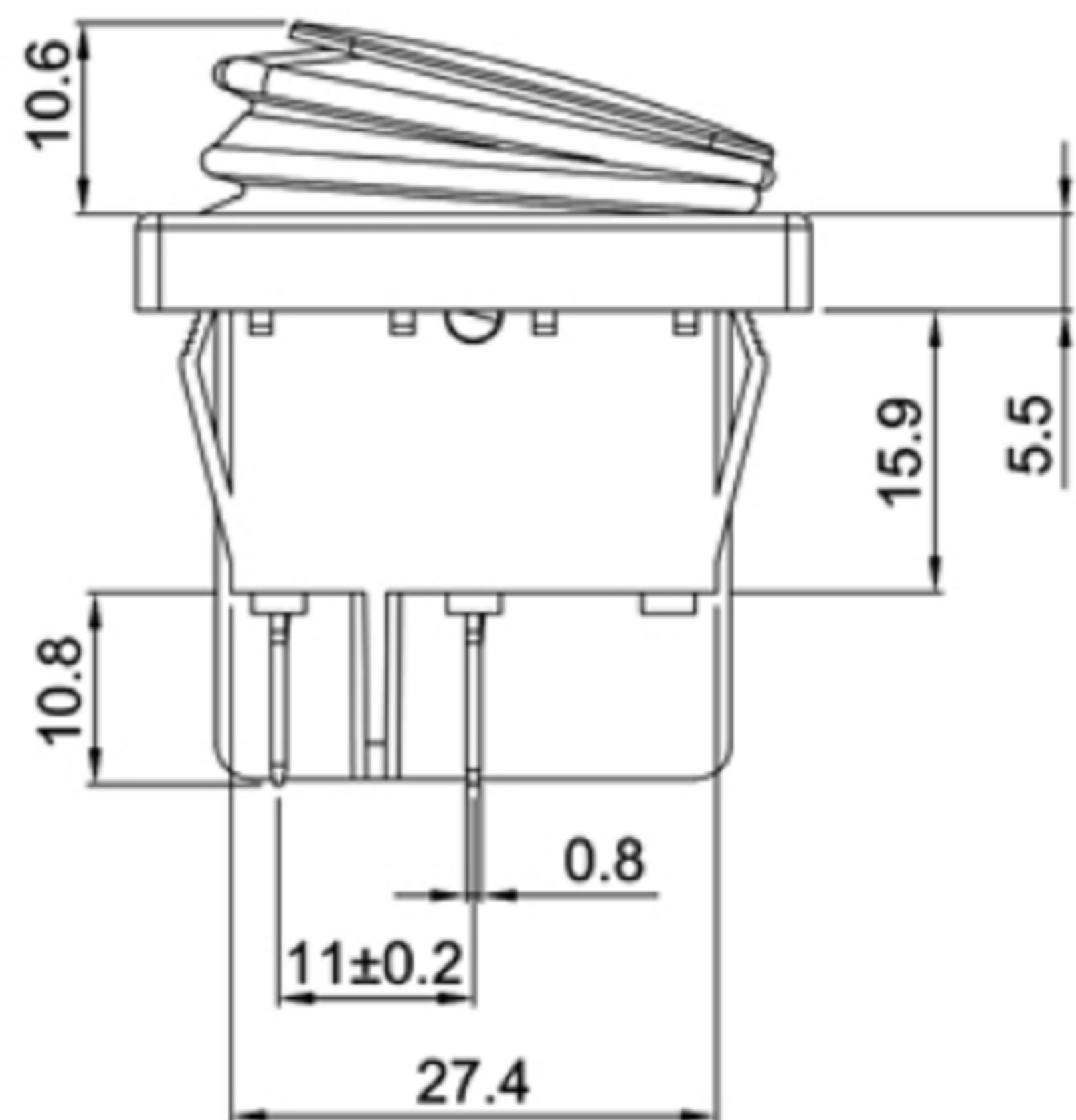
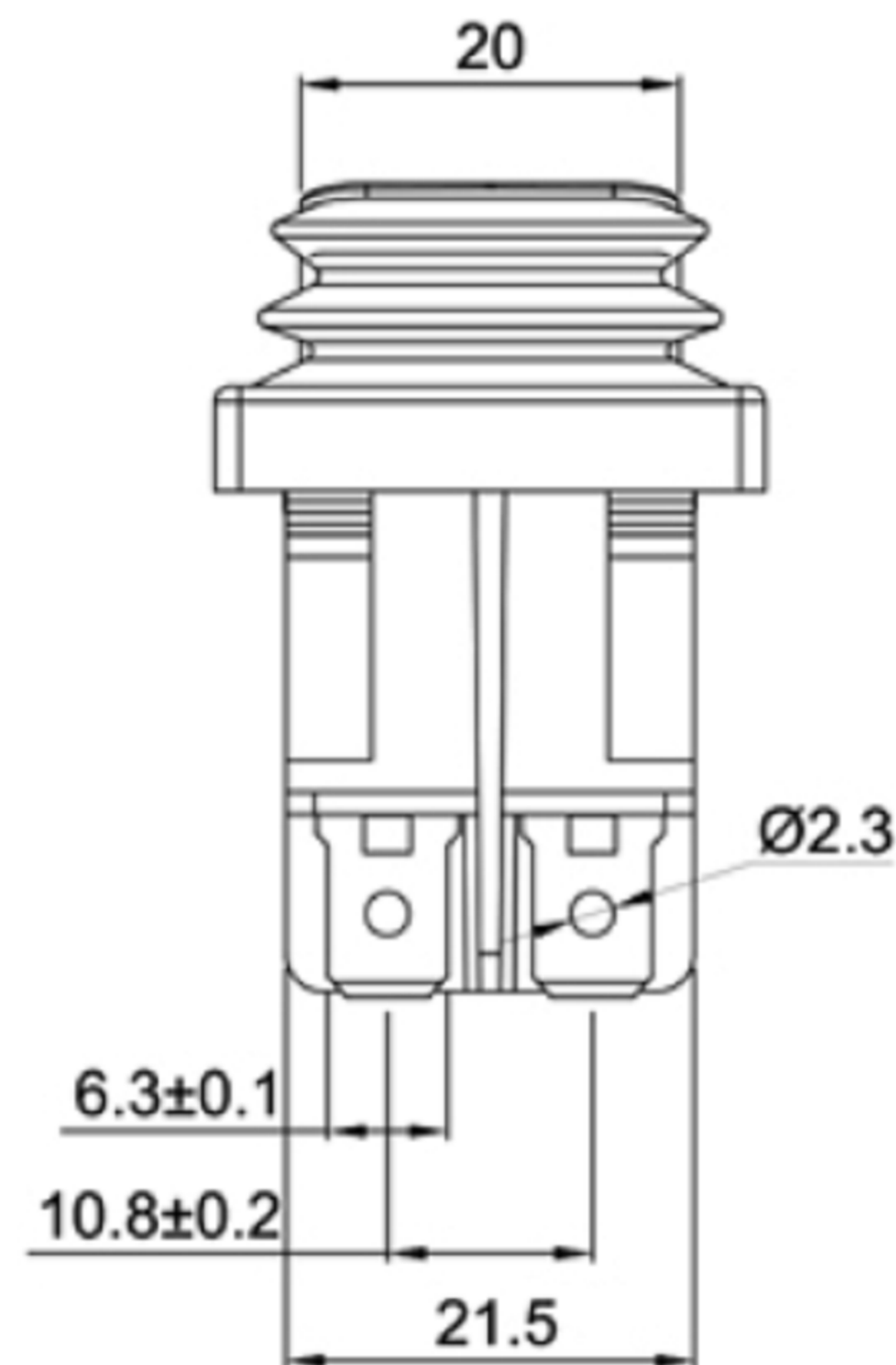
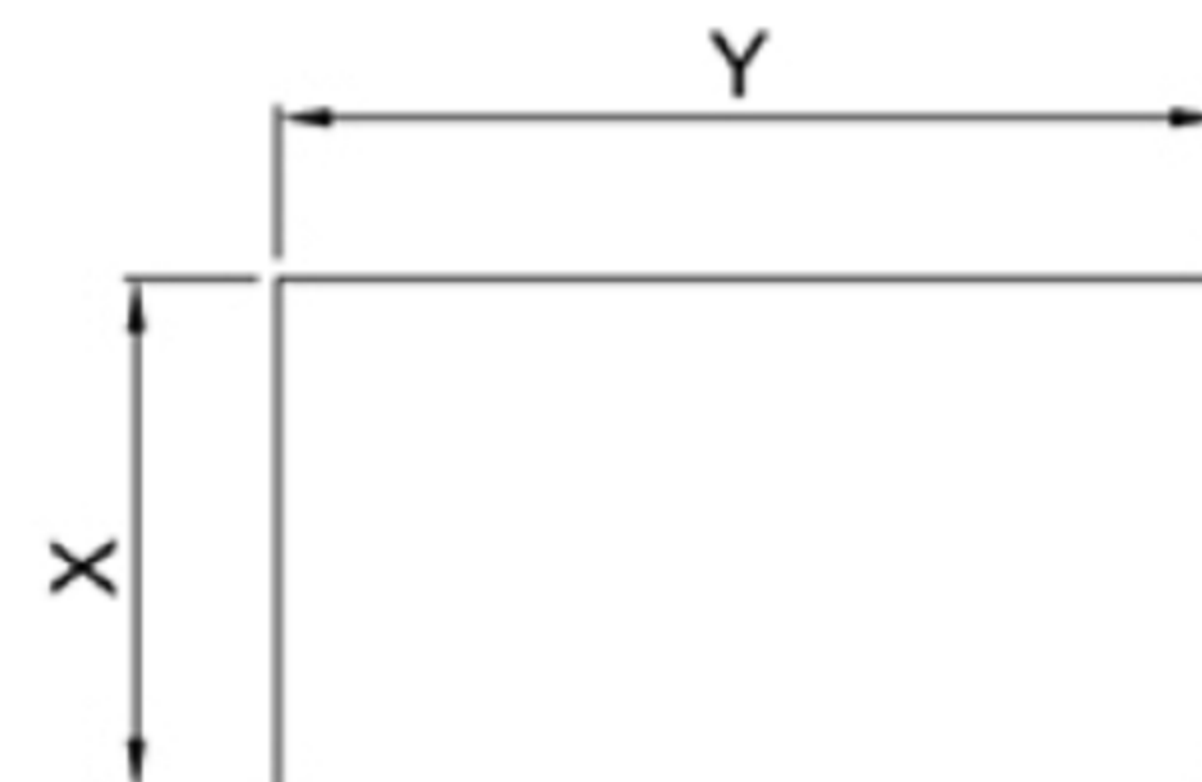


Rating: 20A 125V AC  
 22A 250V AC  
 Contact Resistance: 50m Ω Max  
 Insulation Resistance: DC 500V 100M Ω Min.  
 Dielectric Strength: AC1500V 1 minute  
 Operating Force: 600±150gf  
 Mechanical Life: Over 30,000 cycles  
 Electrical Life: Over 10,000 cycles  
 Operating Temperature: -20 °C~+85 °C  
 Protection type depending on mounting: IP65

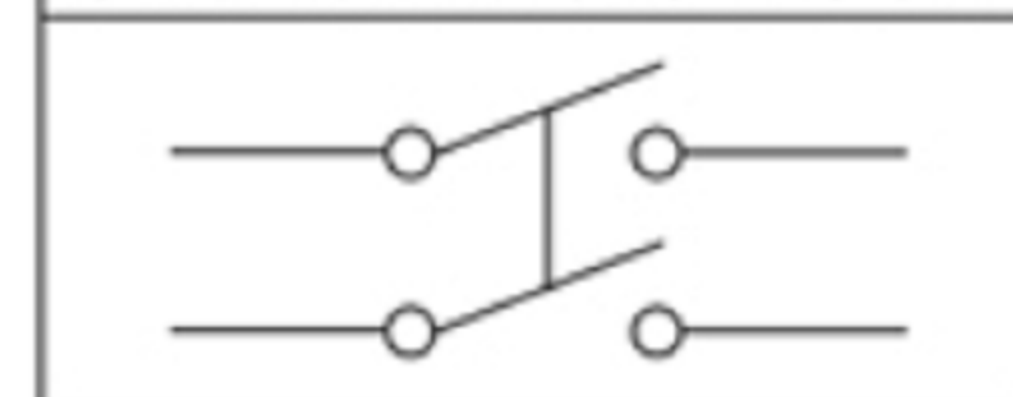


### CUT-OUT



	X	Y
0.75~1.25	22.0+0.1	30.0+0.1
1.25~2.00	22.0+0.1	30.2+0.1
2.00~3.00	22.0+0.1	30.4+0.1

### SWITCHING CIRCUIT

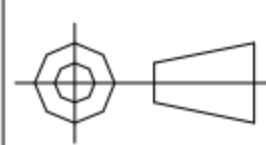



**广东科斯达电子科技有限公司**  
 GUANG DONG KE SI DA ELECTRONIC TECHNOLOGY CO., LTD.

TOLERANCE UNLESS OTHERWISE STATED:
 

Up to 5	±0.2
Above 5 ~ 15	±0.3
Above 15 ~ 30	±0.4
Above 30 ~ 50	±0.5
Angle	±0.3°

 3RD. ANGEL'S



UNITS MM

DRAWN BY:	DATE	MAT'L	TITLE	SWITCH
Jack Lu	12/27/22		MODLE	TACT SWITCH WITH LED
CHECKED BY:	DATE	FINISH	DWG NO.	
Jacky Chen	12/27/22			
APPROVED BY:	DATE	SCALE	PART NO.	
Tony Kao	12/27/22	1 : 1		
SHEET NO.	1 of 1			

ITEM NO.	DESCRIPTION	DRAWN	DATE