



Unit: mm

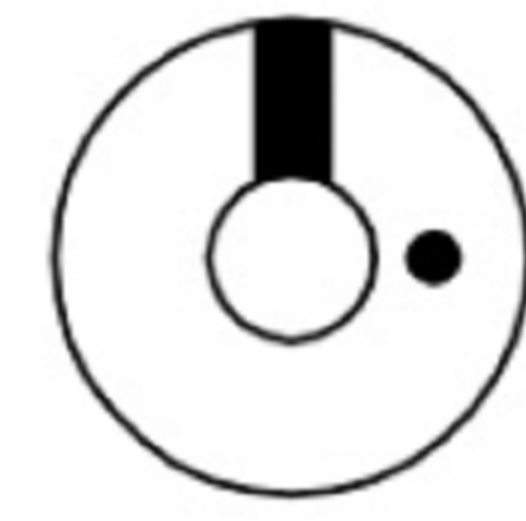
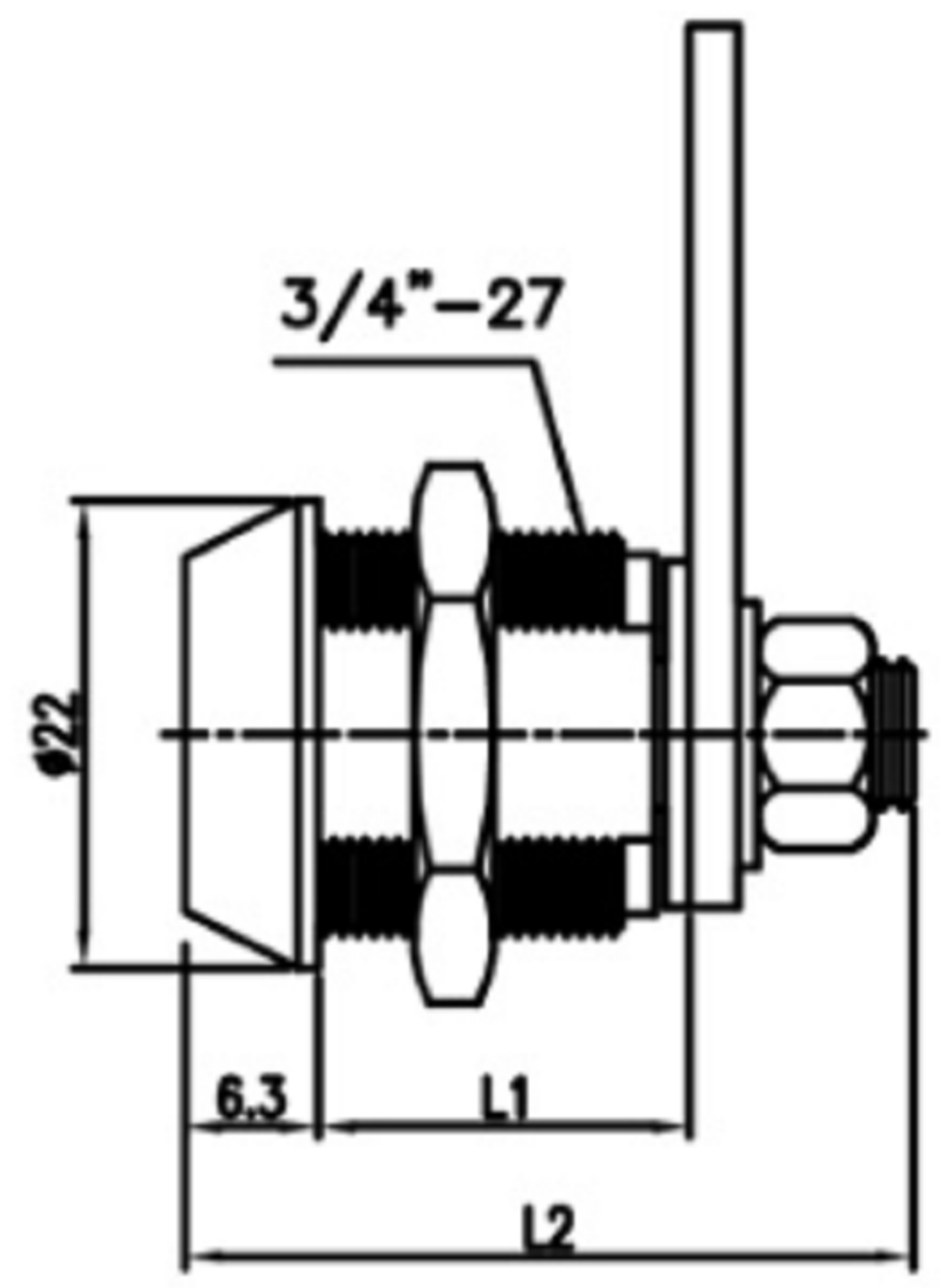
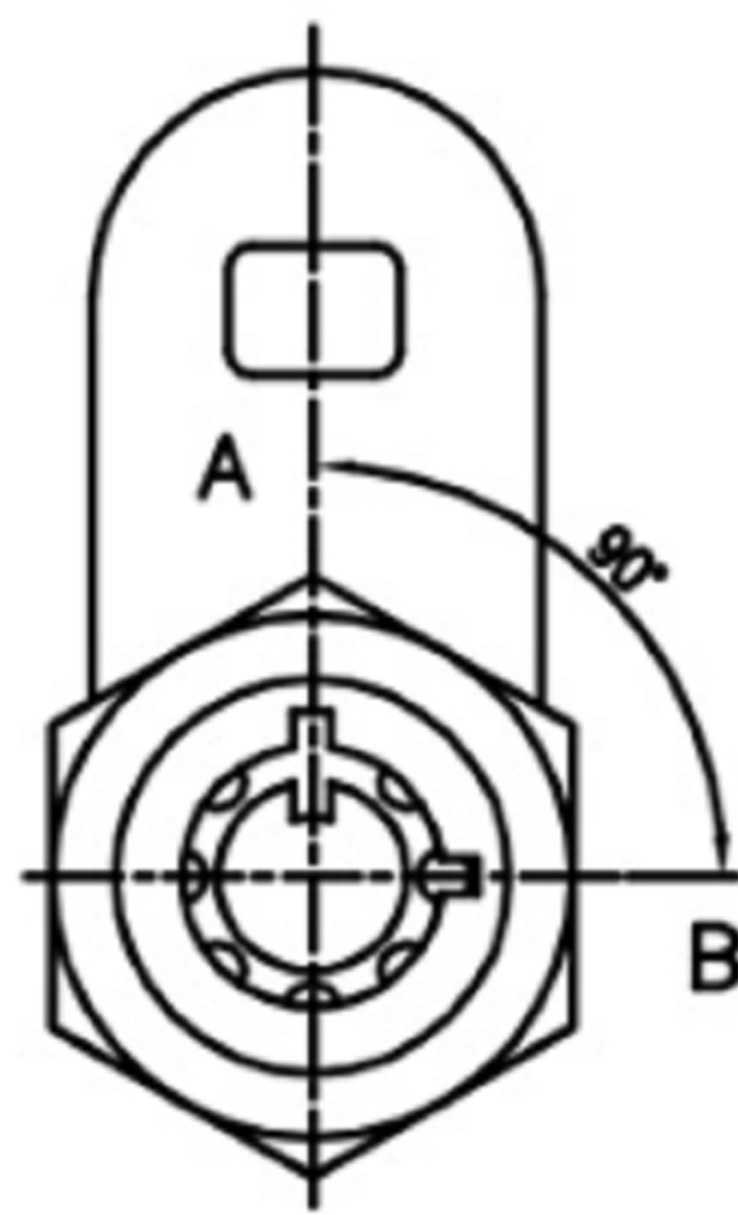


Fig.1

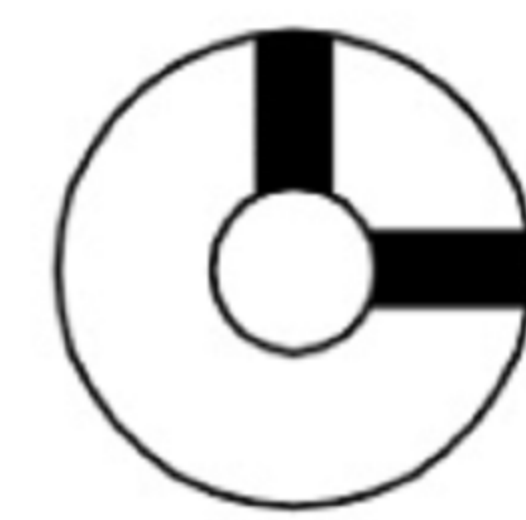
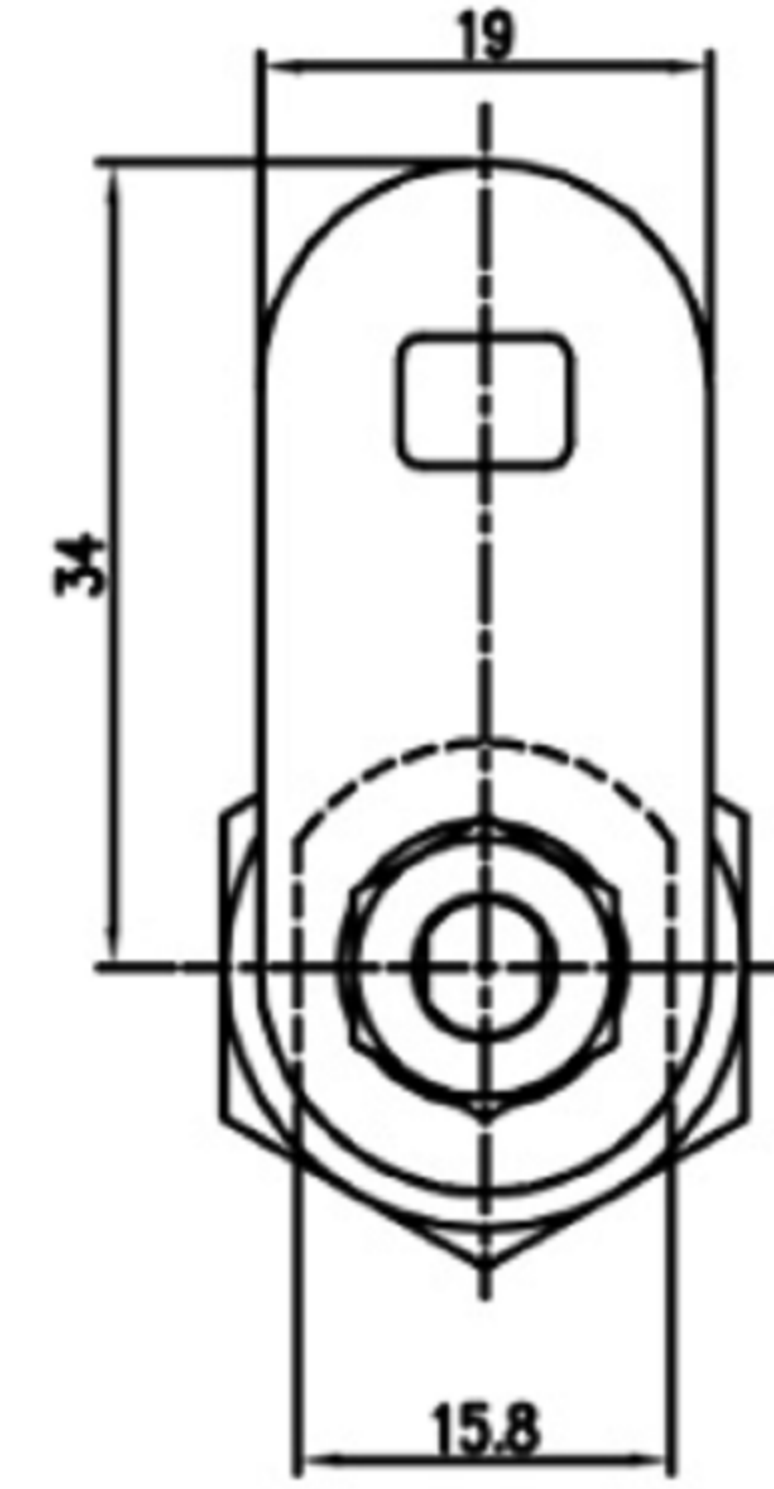


Fig.2



Recommended hole size

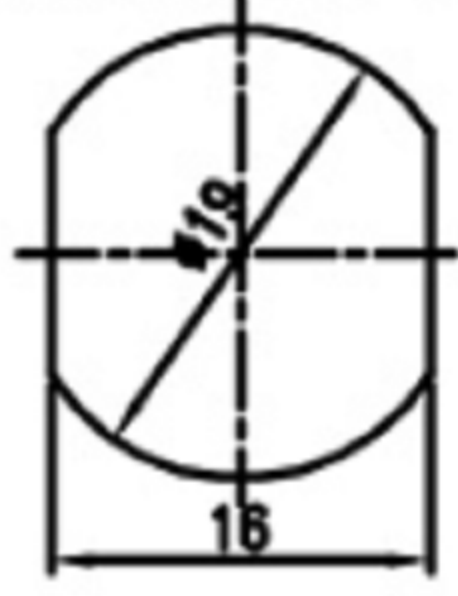


Fig No	Lock Number	Positions	Key Pulls	Turn
1	C510XS-1	2	1	90°
1	C510ZSS-1	2	1	90°
1	C510UZS-1	2	1	90°
1	C510UZM-1	2	1	90°
1	C510UZL-1	2	1	90°
2	C510XS-2	2	2	90°
2	C510ZSS-2	2	2	90°
2	C510UZS-2	2	2	90°
2	C510UZM-2	2	2	90°
2	C510UZL-2	2	2	90°

Sizes	L1	L2
XS	9.5	23.3
ZSS	11	25
UZS	17.6	34.3
UZM	23.2	39.7
UZL	28	44.7

广东科斯达电子科技有限公司
GUANG DONG KE SI DA ELECTRONIC TECHNOLOGY CO., LTD.

TOLERANCE UNLESS OTHERWISE STATED: Up to 5 ±0.2, Above 5 ~ 15 ±0.3, Above 15 ~ 30 ±0.4, Above 30 ~ 50 ±0.5, Angle ±0.3

3RD. ANGEL'S

UNITS MM

DRAWN BY:	DATE	MAT'L	TITLE	SWITCH
Jack Lu	12/27/22			
CHECKED BY:	DATE	FINISH	MODLE	TACT SWITCH WITH LED
Jacky Chen	12/27/22			
APPROVED BY:	DATE	SCALE	DWG NO.	
Tony Kao	12/27/22	1:1		
		SHEET NO.	PART NO.	
		1 of 1		

ITEM NO.	DESCRIPTION	DRAWN	DATE